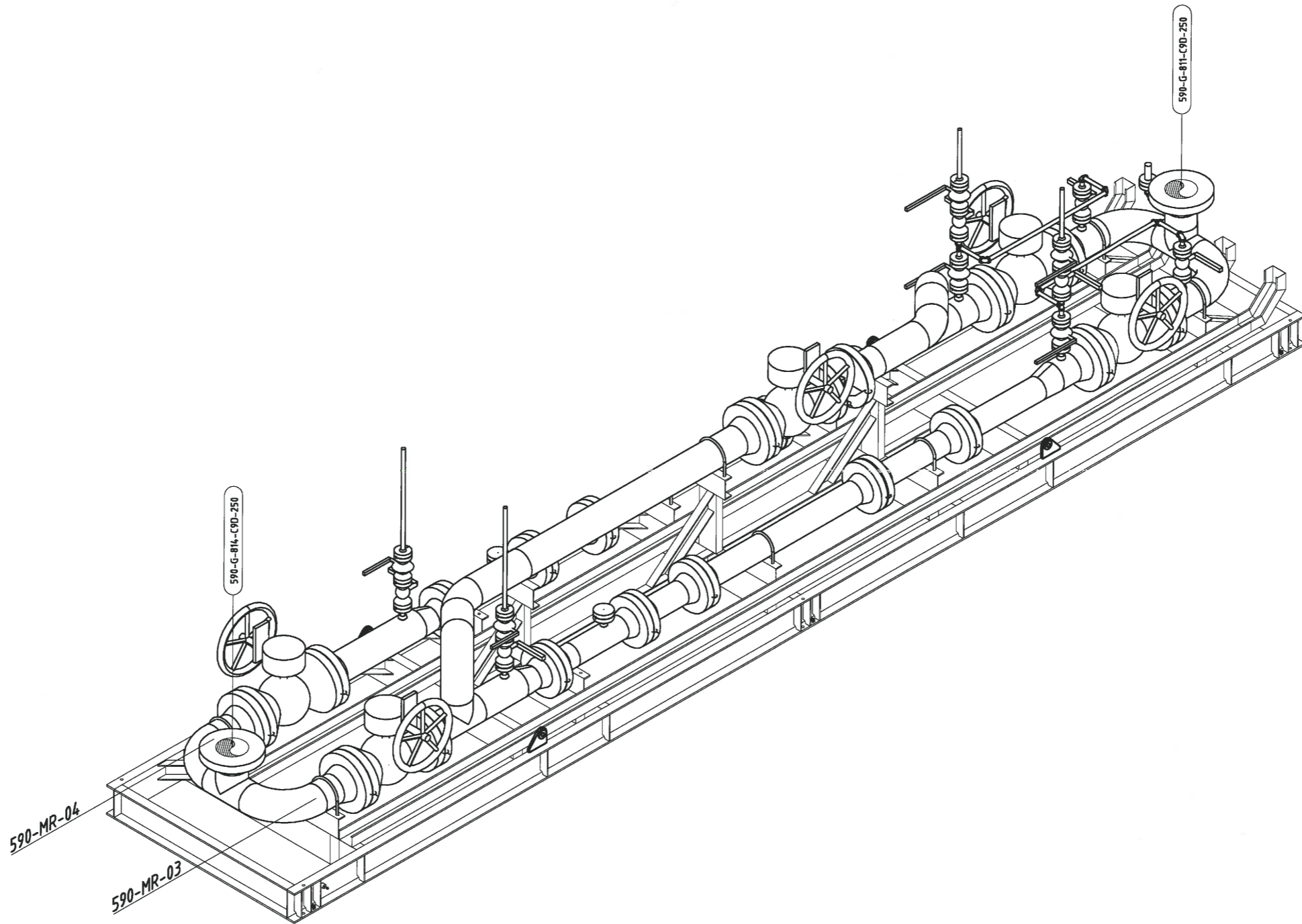
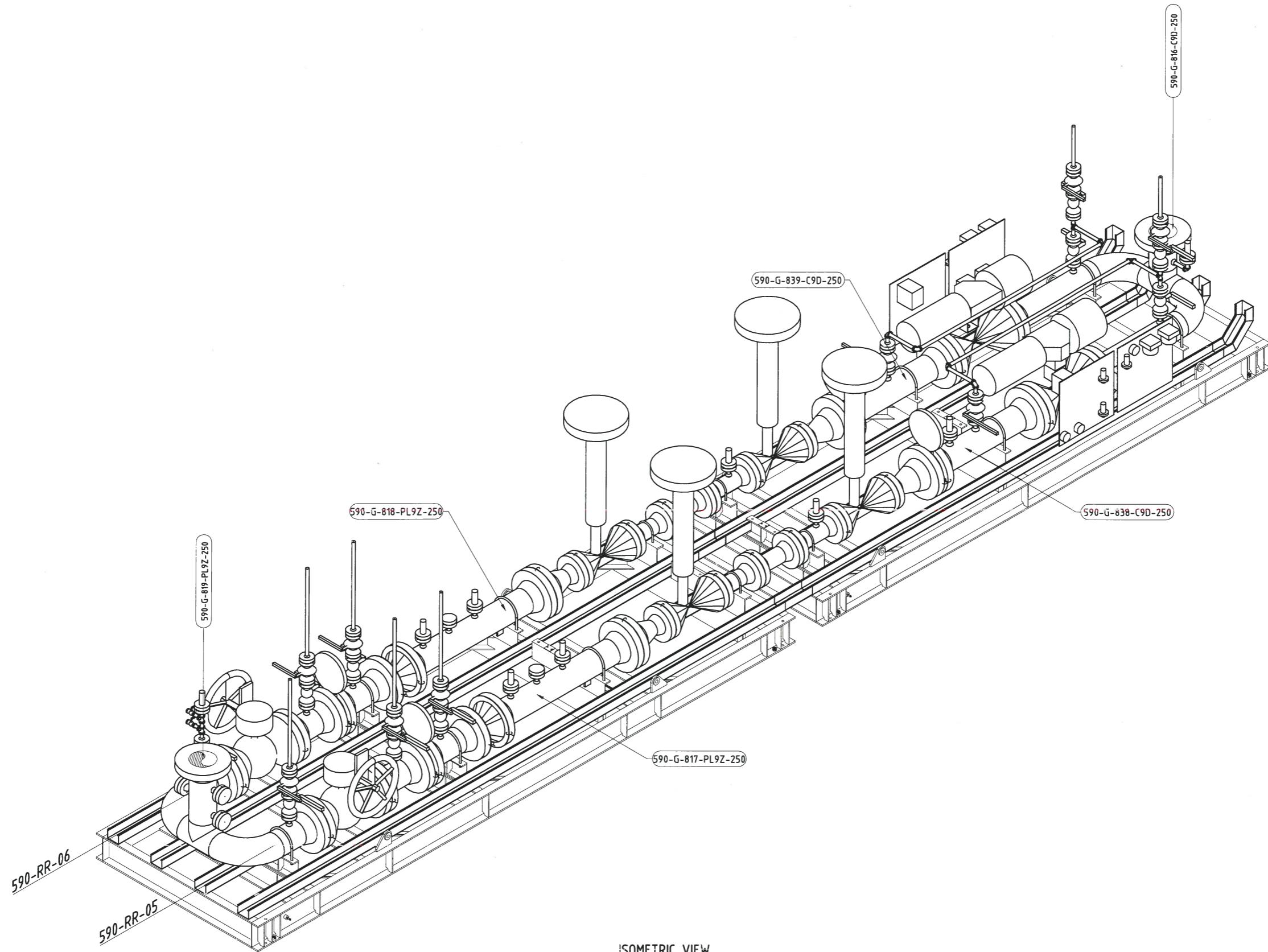


Appendix A Design Documentation



ISOMETRIC VIEW
SCALE 1 : 20

DRAWING No. 590-DW-PD-001 PIPING AND INSTRUMENT DIAGRAM REFERENCE DRAWINGS		ASSET MANAGER Produced by Jemena Asset Management (61) Pty Ltd ABN 52 104 352 650	ASSET OWNER Jemena EGP(1) P/L ABN 15 068 570 847 Jemena EGP(2) P/L ABN 77 006 919 115	COPYRIGHT. THIS DRAWING AND THE INFORMATION ON THIS DRAWING (MATERIAL) ARE PROTECTED BY THE COPYRIGHT LAWS OF AUSTRALIA. ALL RIGHTS ARE RESERVED. NO PART OF THE MATERIAL MAY IN ANY FORM BE REPRODUCED IN WHOLE OR IN PART OR MODIFIED IN ANY WAY WITHOUT THE EXPRESS PRIOR PERMISSION OF JEMENA LIMITED.	0 07.02.15 ISSUED FOR CONSTRUCTION A 21.11.14 ISSUED FOR REVIEW	CONSULTANT LogiCamms Central Pty Ltd A.B.N. 39 008 190 207 Ph +61 7 3058 7000 Fax +61 7 3058 7111 www.logicamms.com.au	HORSELY PARK METERING STATION JEMENA GAS NETWORK TRAIN B SKID GENERAL ARRANGEMENT METERING RUN 590-MR-03 & 04 ISOMETRIC VIEW
				NB JB JG GJ AH DV NB JG GJ AH	DRAWN CHECKED DESIGN ENG CHK APPRV	DRAWN D VOSS DESIGN J GUTIERREZ CHECKED N BAILEY APPROVED A HOOKER DATE Date Approved	SCALE 1:20 SUPERSEDES DRAWING NUMBER 590-DW-PI-053-02 REV 0



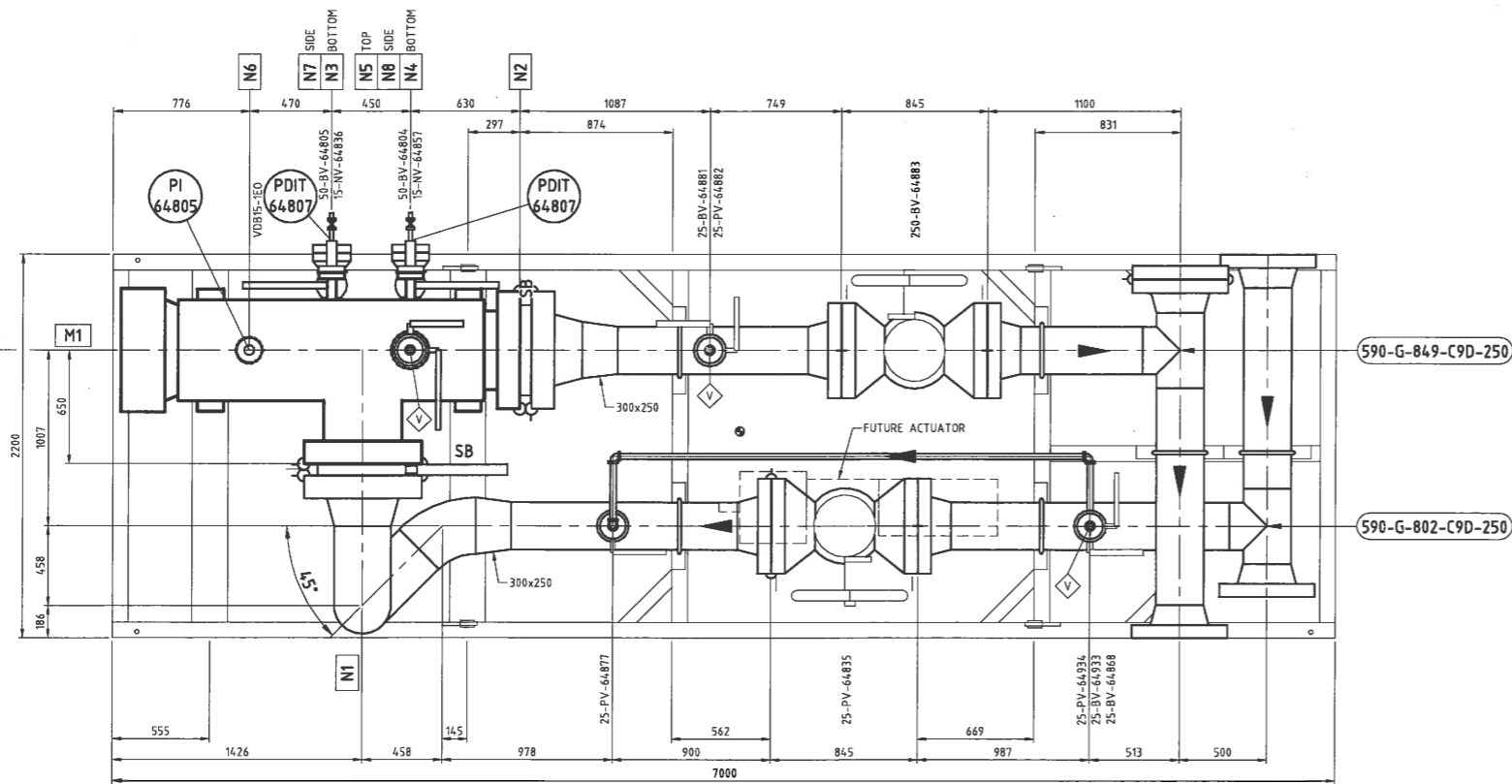
ISOMETRIC VIEW
SCALE N.T.S.

DRAWING No. 590-DW-PI-056-02 REFERENCE DRAWINGS		ASSET MANAGER Produced by Jemena Asset Management (6) Pty Ltd ABN 52 104 352 650	ASSET OWNER Jemena EGP(1) P/L ABN 15 068 570 847 Jemena EGP(2) P/L ABN 77 006 919 115	COPYRIGHT. THIS DRAWING AND THE INFORMATION ON THIS DRAWING (MATERIAL) ARE PROTECTED BY THE COPYRIGHT LAWS OF AUSTRALIA. ALL RIGHTS ARE RESERVED. NO PART OF THE MATERIAL MAY IN ANY FORM BE REPRODUCED IN WHOLE OR IN PART OR MODIFIED IN ANY WAY WITHOUT THE EXPRESS PRIOR PERMISSION OF JEMENA LIMITED.	REV A 21.11.2014 ISSUED FOR REVIEW REV 0 07.02.15 ISSUED FOR CONSTRUCTION	CONSULTANT LogiCamms Central Pty Ltd A.B.N. 39 008 190 207 Ph +61 7 3058 7000 Fax +61 7 3058 7111 www.logicamms.com.au	HORSLEY PARK METERING STATION JEMENA GAS NETWORK TAIN B SKID GENERAL ARRANGMENT PRESSURE REGULATION SKID 590-RR-05 & 06 ISOMETRIC VIEW
DRAWN D VOSS DESIGN J GUTIERREZ CHECKED N BAILEY APPROVED A HOOKER DATE 21.11.2014	SCALE 1:20 SUPERSEDES DRAWING NUMBER 590-DW-PI-056-02	DRAWN DV CHECKED NB DESIGN JG ENG CHK GJ APPRV AH	REV 0 DATE 07.02.15 DESCRIPTION ISSUED FOR CONSTRUCTION	REV A DATE 21.11.2014 DESCRIPTION ISSUED FOR REVIEW	DRAWN JB CHECKED NB DESIGN JG ENG CHK GJ APPRV AH	SCALE 1:20 SUPERSEDES DRAWING NUMBER 590-DW-PI-056-02	

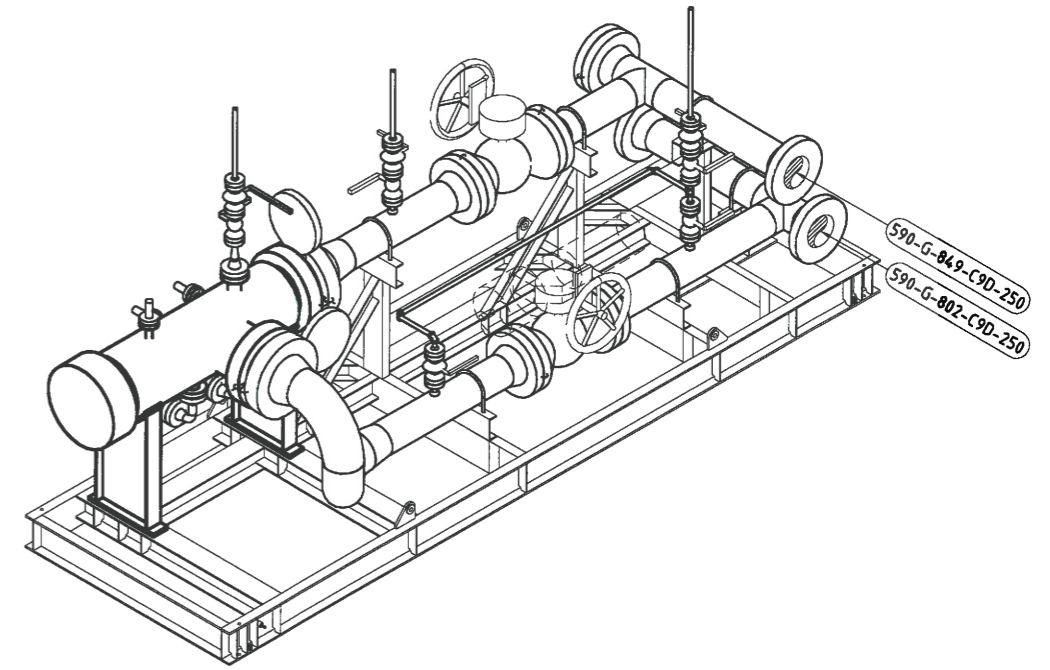


PLANT

590-F-03



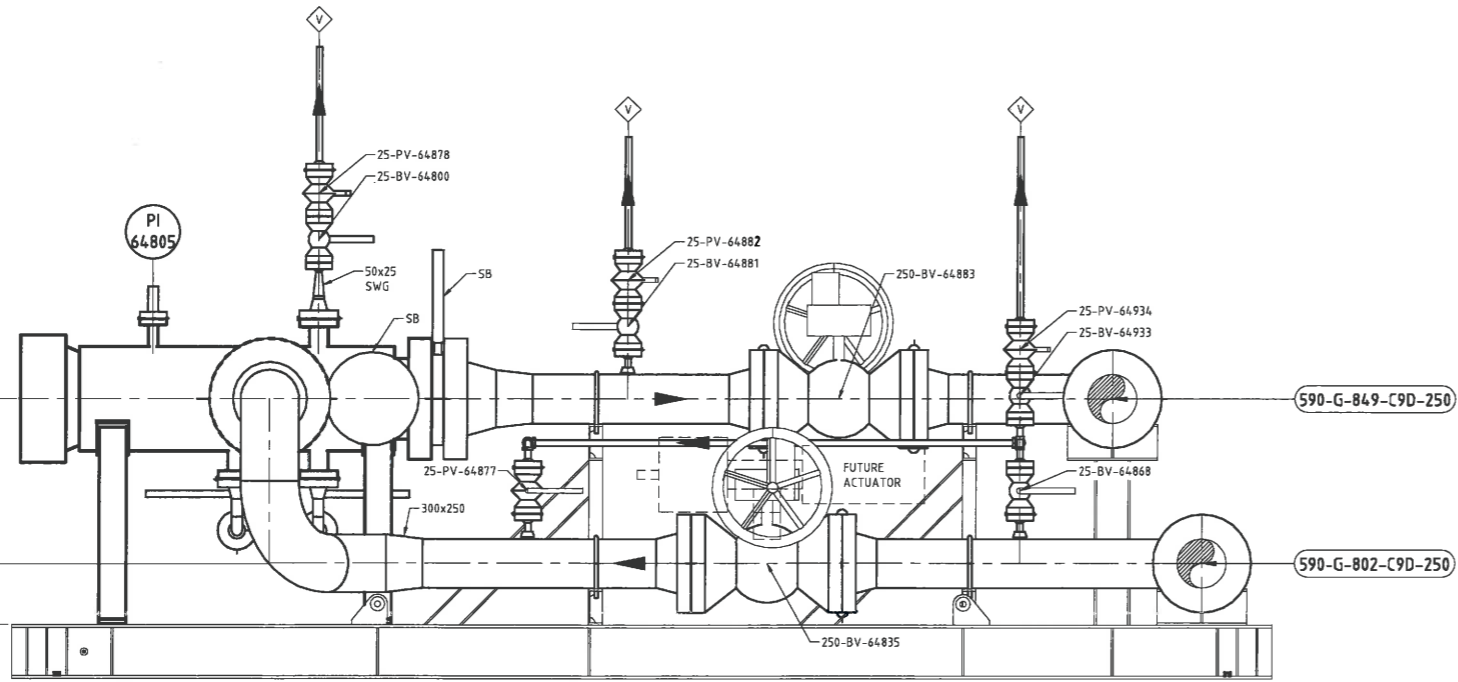
PLAN VIEW
SCALE 1 : 20



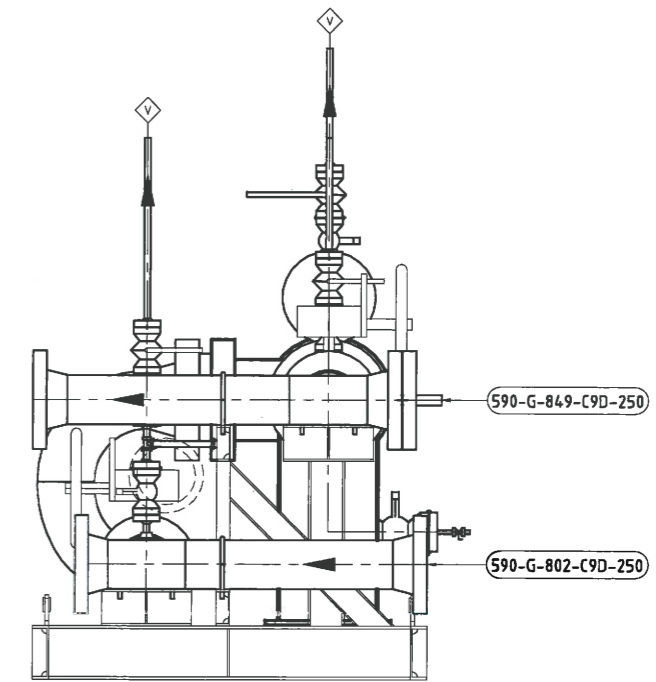
ISOMETRIC VIEW
SCALE 1 : 20

590-F-03

DATUM T.O.S.



SOUTH ELEVATION
SCALE 1 : 20

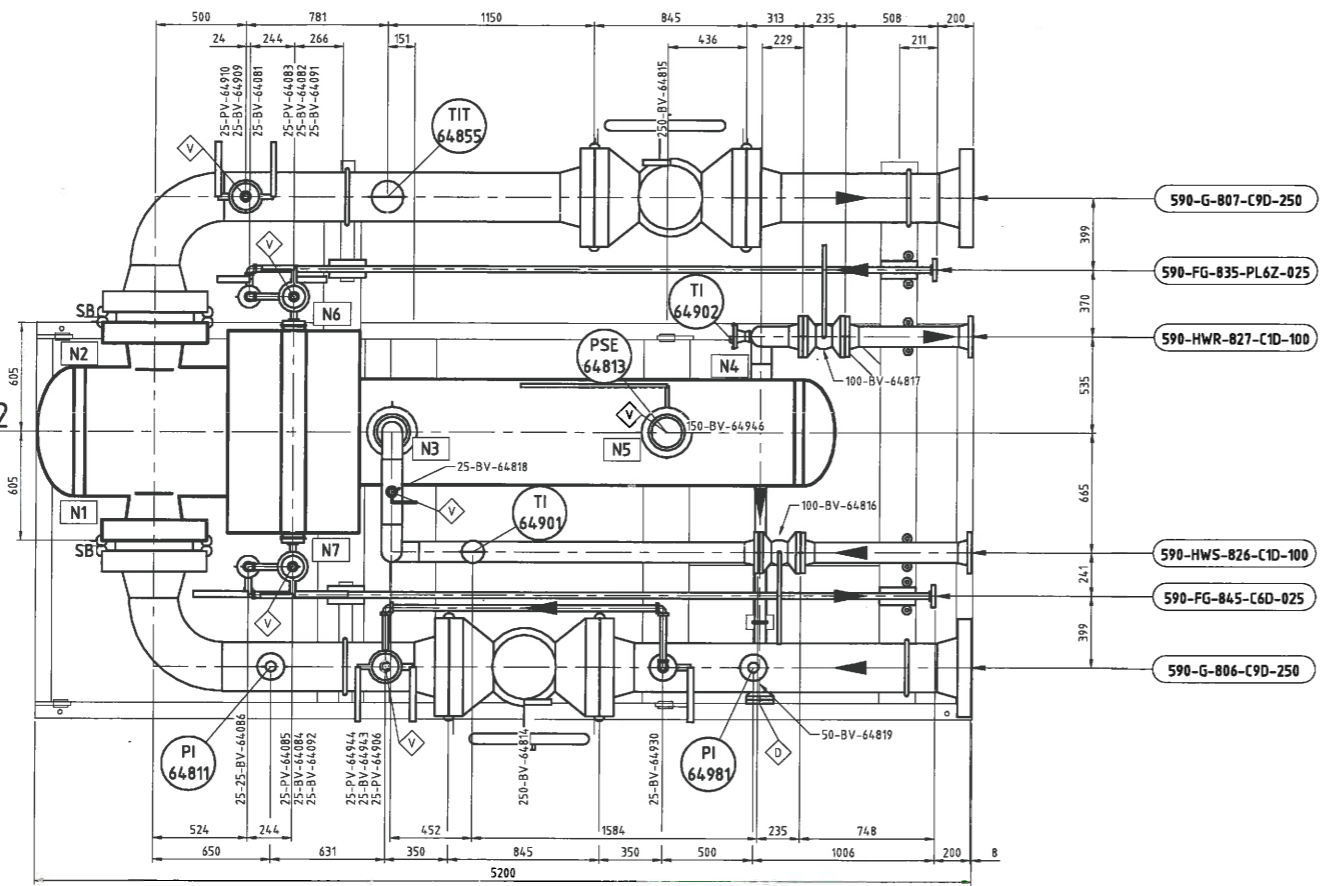


EAST ELEVATION
SCALE 1 : 20

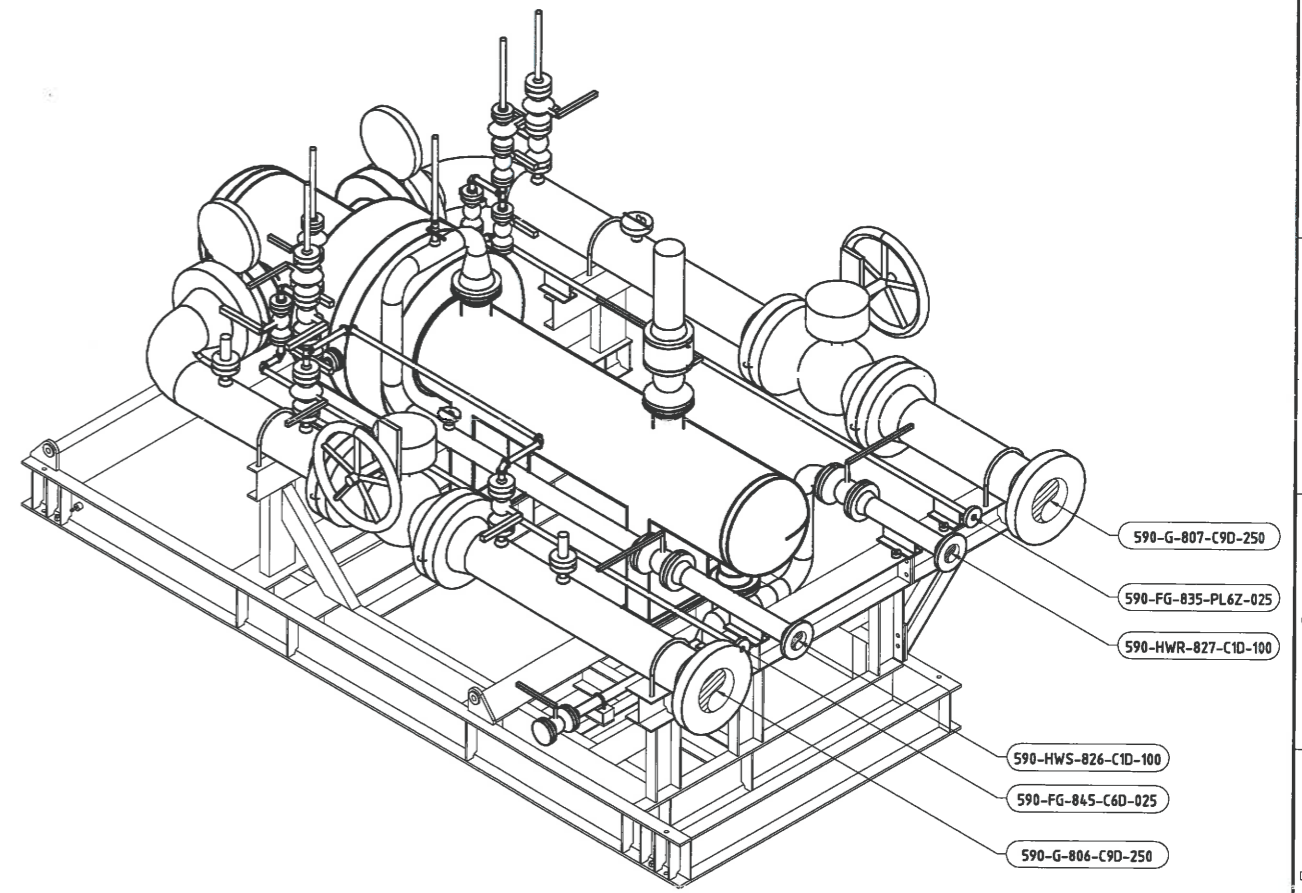
ASSET MANAGER Produced by Jemena Asset Management (6) Pty Ltd ABN 52 104 352 650		ASSET OWNER Jemena EGP(1) P/L ABN 15 068 570 847 Jemena EGP(2) P/L ABN 77 006 919 115		COPYRIGHT THIS DRAWING AND THE INFORMATION ON THIS DRAWING (MATERIAL) ARE PROTECTED BY THE COPYRIGHT LAWS OF AUSTRALIA. ALL RIGHTS ARE RESERVED. NO PART OF THE MATERIAL MAY IN ANY FORM BE REPRODUCED (IN WHOLE OR IN PART) OR MODIFIED IN ANY WAY WITHOUT THE EXPRESS PRIOR PERMISSION OF JEMENA LIMITED.		CONSULTANT LogiCamms Central Pty Ltd A.B.N. 39 008 190 207 Ph +61 7 3058 7000 Fax +61 7 3058 7111 www.logicamms.com.au		HORSELY PARK METERING STATION JEMENA GAS NETWORK TRAIN B SKID GENERAL ARRANGEMENT DRY GAS FILTER 590-F-03	
590-DW-PD-001 PIPING AND INSTRUMENT DIAGRAM DRAWING No. REFERENCE DRAWINGS				0 07.02.15 ISSUED FOR CONSTRUCTION A 21.11.14 ISSUED FOR REVIEW		NB JB JG GJ AH DV NB JG GJ AH DRAWN CHECKED DESIGN ENG CHK APPRV		DRAWN D VOSS DESIGN J GUTIERREZ CHECKED N BAILEY APPROVED A HOOKER DATE 21.11.14	
								SCALE 1 : 20 SUPERSEDES DRAWING NUMBER 590-DW-PI-051	



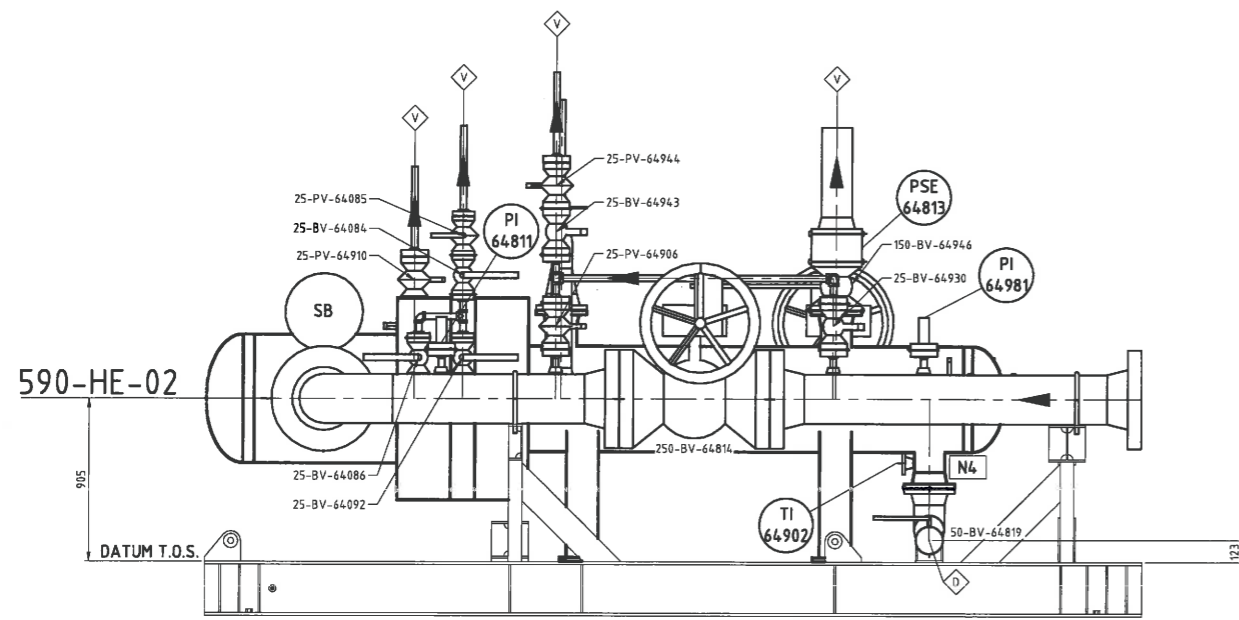
590-HE-02



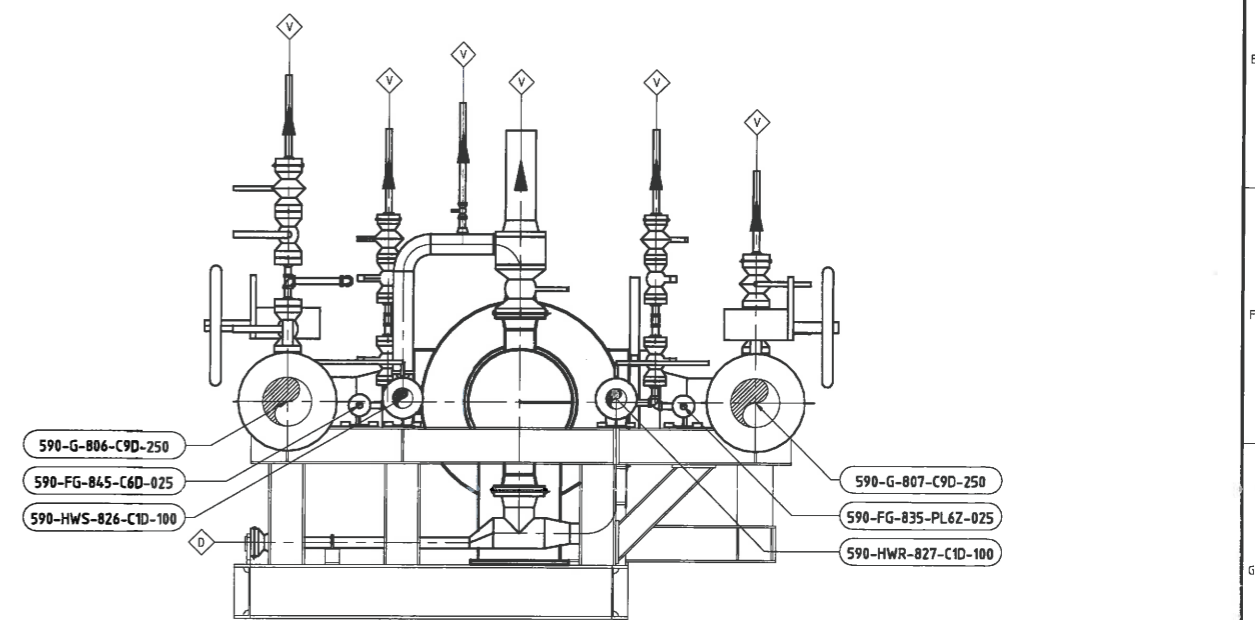
PLAN VIEW
SCALE 1 : 20



ISOMETRIC VIEW
N.T.S.



WEST ELEVATION
SCALE 1 : 20

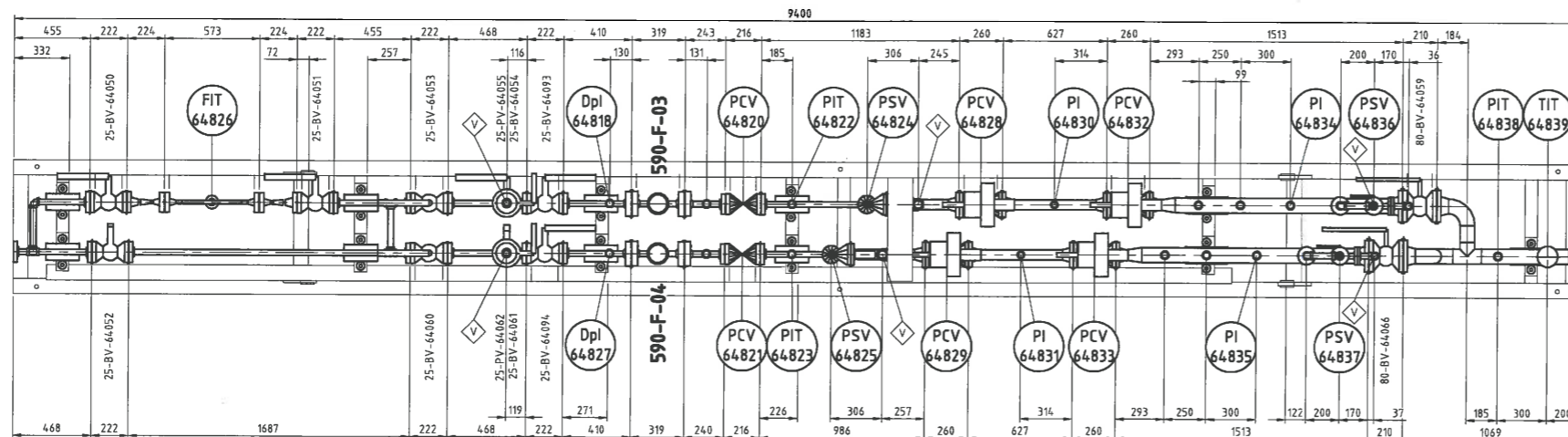


SOUTH ELEVATION
SCALE 1 : 20

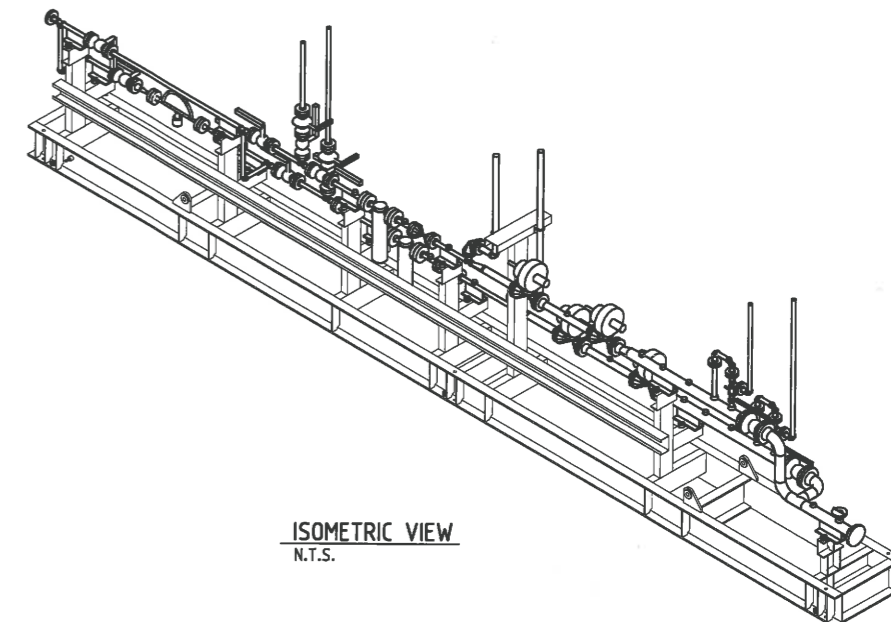
ASSET MANAGER Produced by Jemena Asset Management (6) Pty Ltd ABN 52 104 352 650		ASSET OWNER Jemena EGP(1) P/L ABN 15 068 570 847 Jemena EGP(2) P/L ABN 77 006 919 115		COPYRIGHT. THIS DRAWING AND THE INFORMATION ON THIS DRAWING (MATERIAL) ARE PROTECTED BY THE COPYRIGHT LAWS OF AUSTRALIA. ALL RIGHTS ARE RESERVED. NO PART OF THE MATERIAL MAY IN ANY FORM BE REPRODUCED IN WHOLE OR IN PART OR MODIFIED IN ANY WAY WITHOUT THE EXPRESS PRIOR PERMISSION OF JEMENA LIMITED.		CONSULTANT LogiCamms Central Pty Ltd A.B.N. 39 008 190 207 Ph +61 7 3058 7000 Fax +61 7 3058 7111 www.logicamms.com.au		HORSELY PARK METERING STATION JEMENA GAS NETWORK TRAIN B SKID GENERAL ARRANGEMENT HEAT EXCHANGERS 590-HE-02	
590-DW-PD-002 PIPING AND INSTRUMENT DIAGRAM DRAWING No. REFERENCE DRAWINGS		0 07.02.15 ISSUED FOR CONSTRUCTION A 21.11.14 ISSUED FOR REVIEW		JB NB JG GJ DV NB JG GJ DRAWN CHECKED DESIGN ENG CHK APPRV		DRAWN D VOSS DESIGN J GUTIERREZ CHECKED N BAILEY APPROVED A HOOKER DATE Date Approved		SCALE 1 : 20 SUPERSEDES DRAWING NUMBER 590-DW-PI-055	



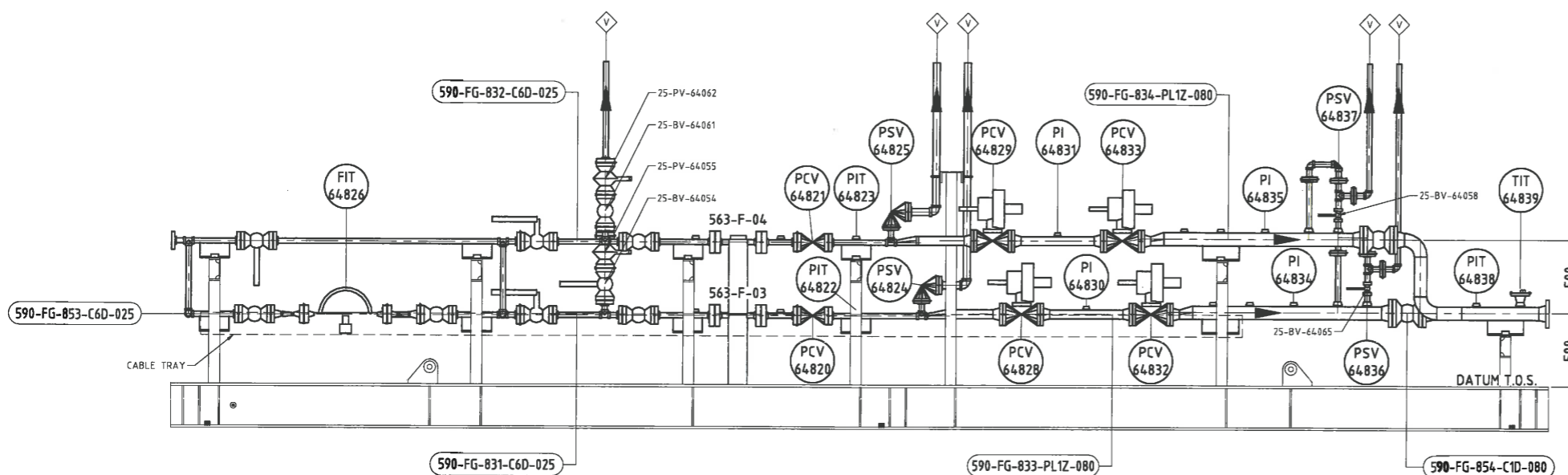
PLANT



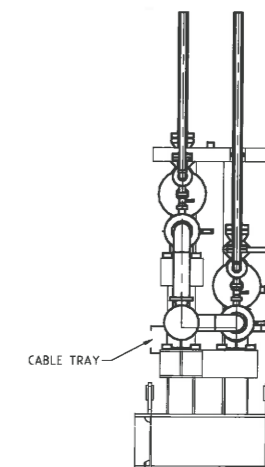
PLAN VIEW
SCALE 1 : 20



ISOMETRIC VIEW
N.T.S.



SOUTH ELEVATION
SCALE 1 : 20



EAST ELEVATION
SCALE 1 : 20

590-DW-PD-003	PIPING & INSTRUMENTATION DIAGRAM
DRG No.	DRG DESC
DRAWING No.	REFERENCE DRAWINGS

ASSET MANAGER	ASSET OWNER
Produced by Jemena Asset Management (6) Pty Ltd ABN 52 104 352 650	Jemena EGP(1) P/L ABN 15 068 570 847 Jemena EGP(2) P/L ABN 77 006 919 115

COPYRIGHT.
THIS DRAWING AND THE
INFORMATION ON THIS DRAWING
(MATERIAL) ARE PROTECTED BY
THE COPYRIGHT LAWS OF
AUSTRALIA. ALL RIGHTS ARE
RESERVED. NO PART OF THE
MATERIAL MAY IN ANY FORM BE
REPRODUCED IN WHOLE OR IN
PART OR MODIFIED IN ANY WAY
WITHOUT THE EXPRESS PRIOR
PERMISSION OF JEMENA LIMITED.

REV	DATE	DESCRIPTION	DRAWN	CHECKED	DESIGN	ENG CHK	APPRV
0	07.02.15	ISSUED FOR CONSTRUCTION	JB	NB	JG	GJ	AH
A	21.11.14	ISSUED FOR BUDGET COSTING	DV	NB	JG	GJ	AH

CONSULTANT	
LogiCamms Central Pty Ltd A.B.N. 39 008 190 207 Ph +61 7 3058 7000 Fax +61 7 3058 7111 www.logicamms.com.au	

HORSELY PARK METERING STATION JEMENA GAS NETWORK TRAIN B SKID GENERAL ARRANGEMENT HOT WATER HEATER FUEL GAS 590-F-05 & 590-F-06			
DRAWN	D VOSS	SCALE	1 : 20
DESIGN	J GUTIERREZ	SUPERSEDES	A1
CHECKED	N BAILEY	DRAWING NUMBER	590-DW-PI-057
APPROVED	A HOOKER	REV	0
DATE	21.11.2014		