

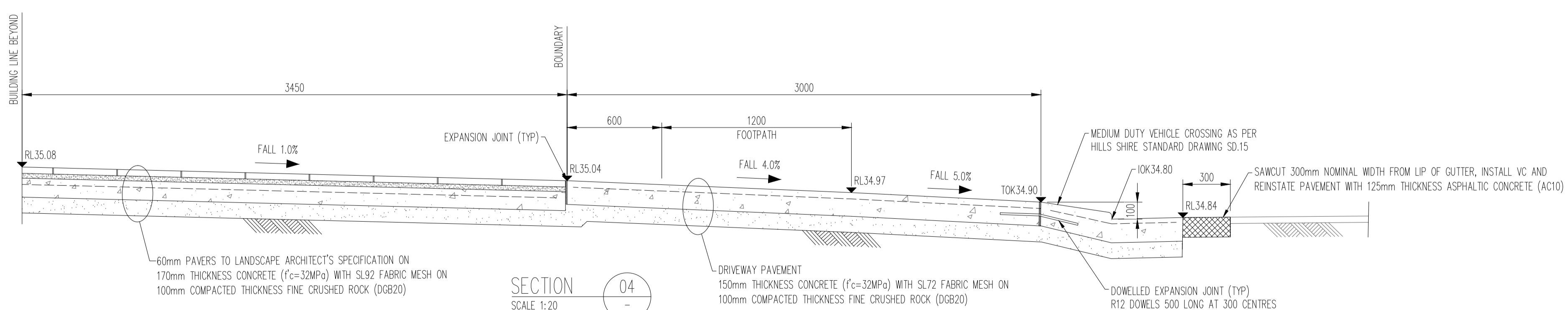
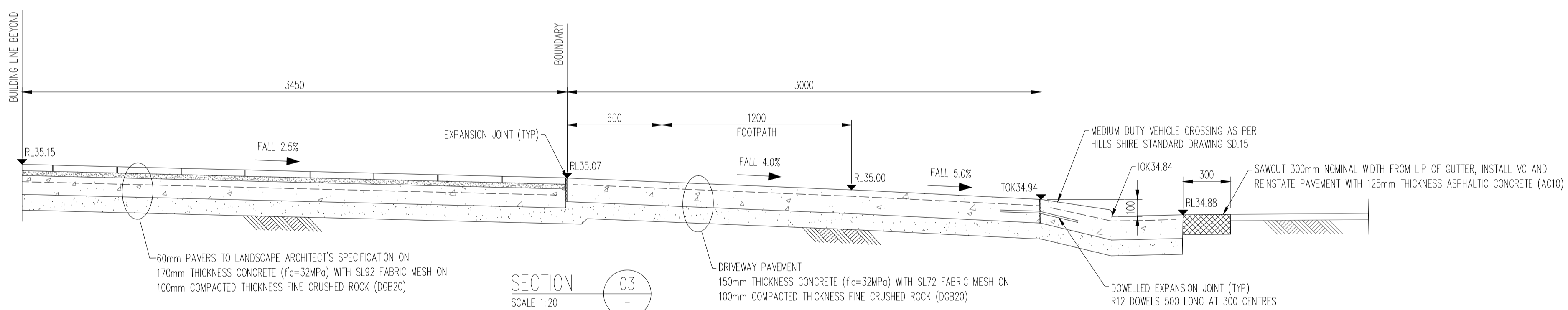
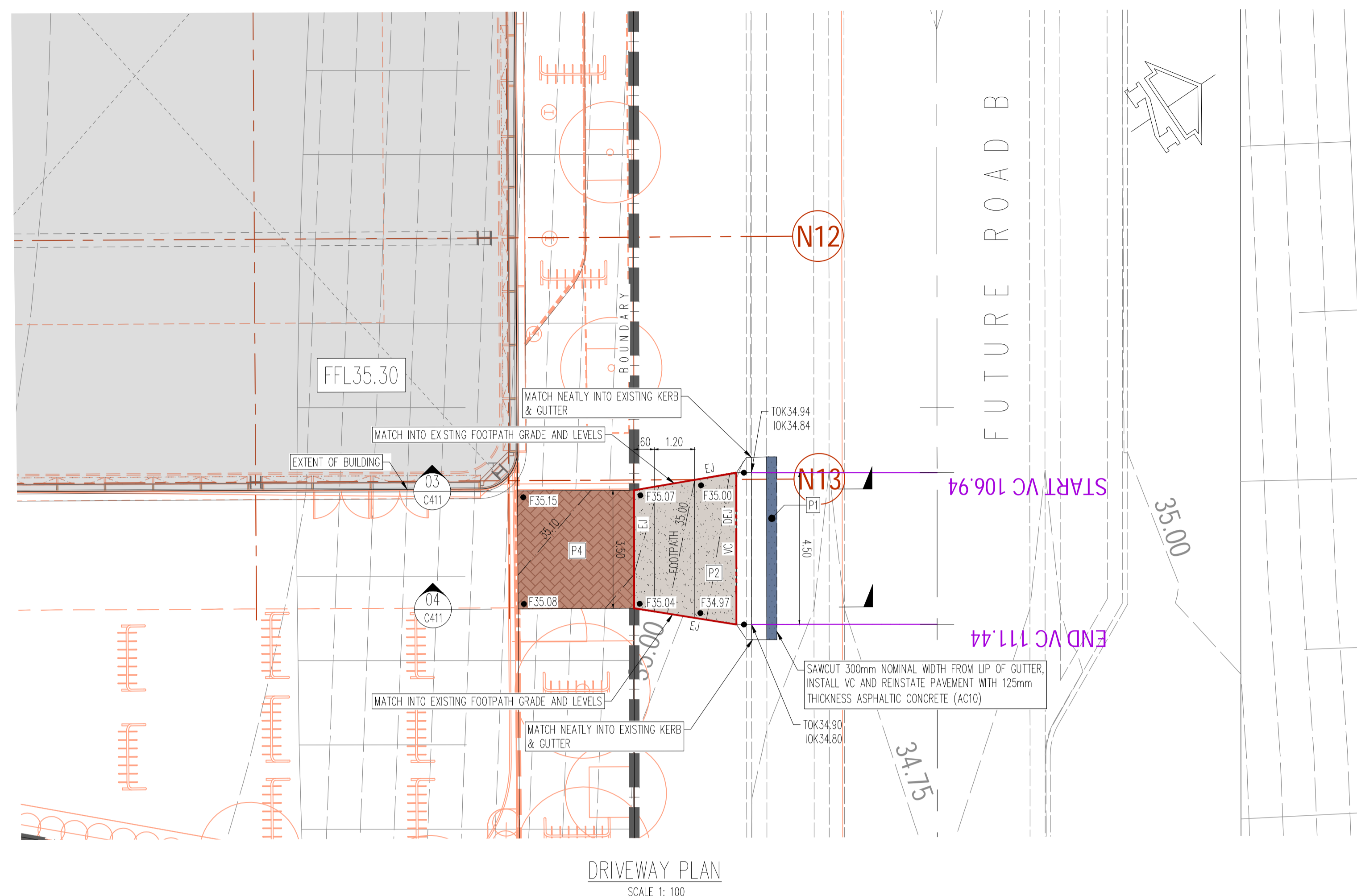
SITWORKS LEGEND

● F22.20	Finished surface level
--- 22.20 ---	Finished surface major contour 0.2m interval
--- 21.95 ---	Finished surface minor contour 0.05m interval
K&G	Kerb and gutter
VC	Hills Shire Council Vehicle crossing. Refer detail on Sheet C420
SP	Stormwater pit
GD	Grated drain

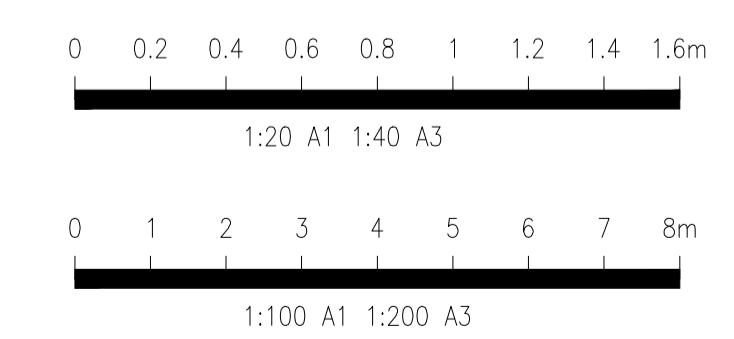
PAVEMENT LEGEND

Asphaltic concrete shall conform to AS2150 and the specification

P1	Asphalt Road Pavement Reinstatement 125mm thickness asphaltic concrete (AC10) on Compacted subgrade to min 3% CBR
P2	Concrete Driveway Pavement 150mm thickness concrete (f _c = 32MPa) with SL72 fabric (40 cover) on 100mm compacted thickness fine crushed rock (DGB20) on Compacted subgrade to min 3% CBR
P3	Vehicular Concrete Pavement 170mm thickness concrete (f _c = 32MPa) on with SL92 fabric (40 cover) on 100mm compacted thickness fine crushed rock (DGB20) on Compacted subgrade to min 3% CBR
P4	Vehicular Pavers on Concrete Pavement 60mm thickness paver to landscape architect's specification on 30mm mortar bedding on 170mm thickness concrete (f _c = 32MPa) with SL92 fabric (40 cover) on 100mm compacted thickness fine crushed rock (DGB20) on Compacted subgrade to min 3% CBR
DEJ	Dowelled expansion joint
EJ	Expansion joint



TO BE READ IN CONJUNCTION WITH HILLS SHIRE COUNCIL DRIVEWAY SPECIFICATION, TTW CIVIL SPECIFICATION AND ALL STANDARDS AND GUIDELINES AS NOTED



PRELIMINARY

Telephone: C411.dwg - USER: dtdonovan - Plot File Created: Sep 01, 2020 - 10:41am

Rev	Description	Eng	Draft	Date	Rev	Description	Eng	Draft	Date
P2	PRELIMINARY	DM	SH	01.09.20					
P1	PRELIMINARY	DM	SH	11.08.20					

Architect



Telephone +61 7 3852 2525
Facsimile +61 7 3852 2544
www.bva.com.au

Civil Engineer



612 9439 7288 | 48 Chandos Street St Leonards NSW 2065

Project

SANTA SOPHIA CATHOLIC COLLEGE
THE GABLES TOWN CENTRE

Sheet Subject

FUTURE ROAD B DRIVEWAY PLAN & SECTIONS

Scale: A1 1:100,1:20	Drawn DM	Authorised
Job No 181896	Drawing No C411	Revision P2
Plot File Created: Sep 01, 2020 - 10:41am		