

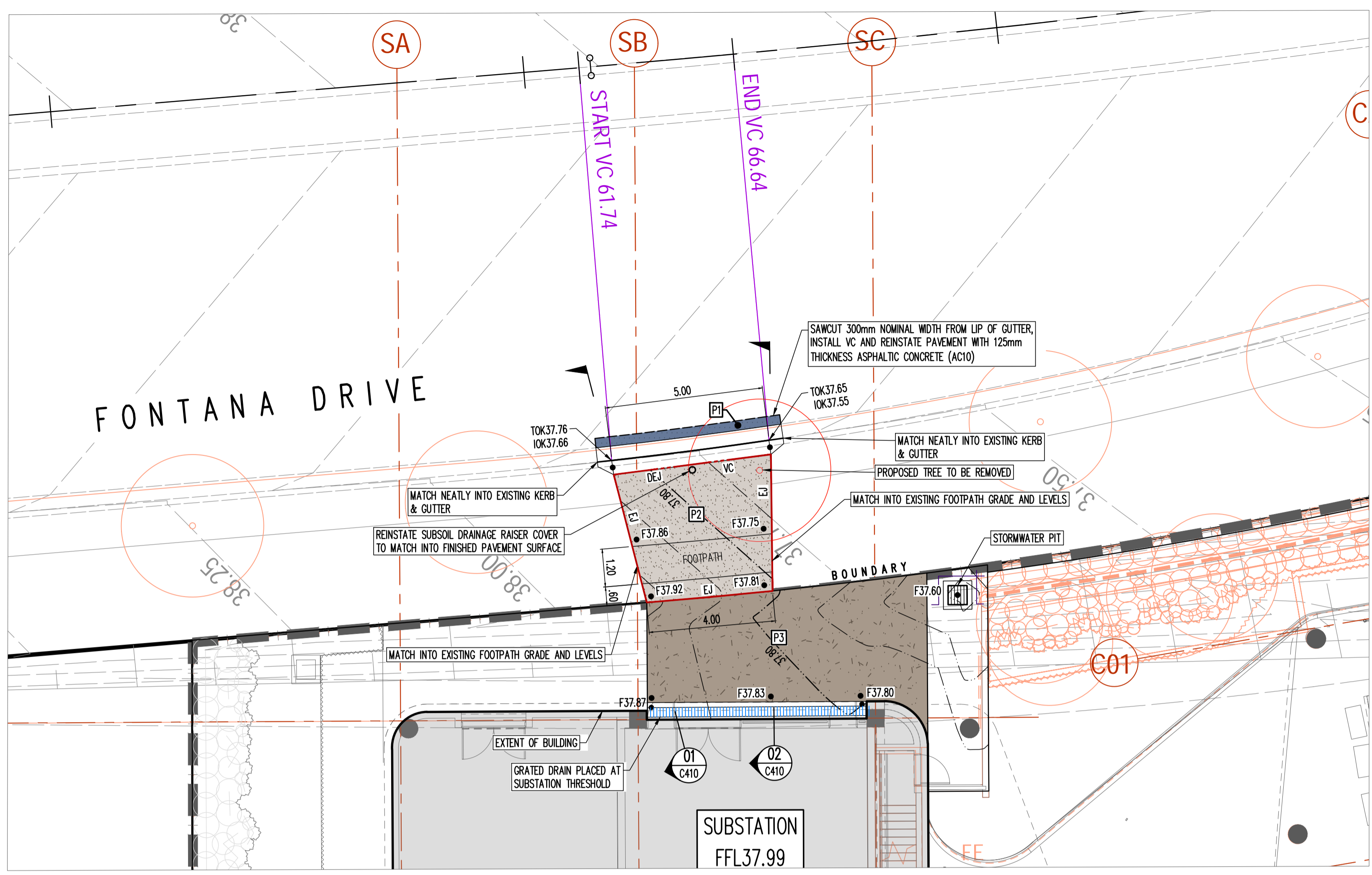
SITWORKS LEGEND

- F22.20 Finished surface level
- 22.20 Finished surface major contour 0.2m interval
- 21.95 Finished surface minor contour 0.05m interval
- K&G Kerb and gutter
- VC Hills Shire Council Vehicle crossing. Refer detail on Sheet C420
- Stormwater pit
- GD Grated drain

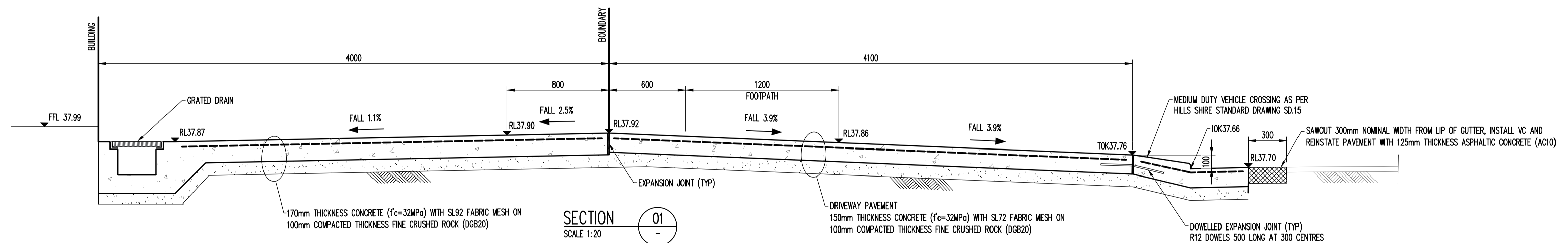
PAVEMENT LEGEND

Asphaltic concrete shall conform to AS2150 and the specification

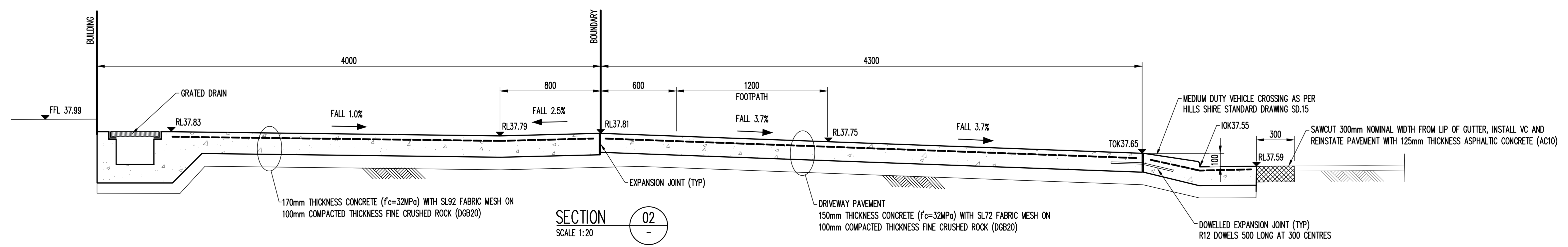
- P1 Asphalt Road Pavement Reinstatement**
125mm thickness asphaltic concrete (AC10) on Compacted subgrade to min 3% CBR
- P2 Concrete Driveway Pavement**
150mm thickness concrete (f_c = 32MPa) with SL72 fabric (40 cover) on 100mm compacted thickness fine crushed rock (DGB20) on Compacted subgrade to min 3% CBR
- P3 Vehicular Concrete Pavement**
170mm thickness concrete (f_c = 32MPa) on with SL92 fabric (40 cover) on 100mm compacted thickness fine crushed rock (DGB20) on Compacted subgrade to min 3% CBR
- P4 Vehicular Pavers on Concrete Pavement**
60mm thickness paver to landscape architect's specification on 30mm mortar bedding on 170mm thickness concrete (f_c = 32MPa) with SL92 fabric (40 cover) on 100mm compacted thickness fine crushed rock (DGB20) on Compacted subgrade to min 3% CBR
- DEJ Dowelled expansion joint
- EJ Expansion joint



DRIVEWAY PLAN
SCALE 1: 100

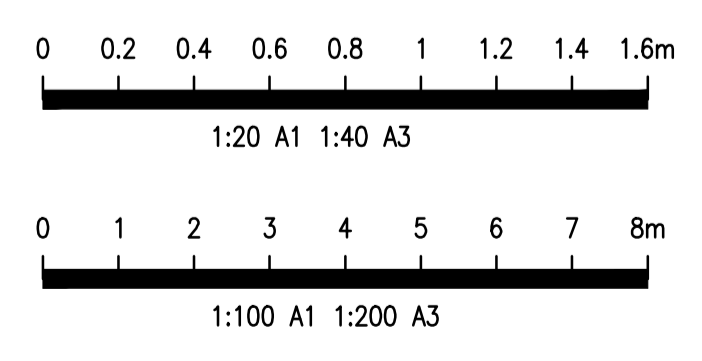


SECTION 01
SCALE 1:20



SECTION 02
SCALE 1:20



TO BE READ IN CONJUNCTION WITH HILLS SHIRE COUNCIL DRIVEWAY SPECIFICATION, TTW CIVIL SPECIFICATION AND ALL STANDARDS AND GUIDELINES AS NOTED



PRELIMINARY

File Name: C410.dwg - USER: duncan - Plot File Created: Sep 09, 2020 - 12:28pm

Rev	Description	Eng	Draft	Date	Rev	Description	Eng	Draft	Date	Rev	Description	Eng	Draft	Date
P3	PRELIMINARY	DM	SH	09.09.20										
P2	PRELIMINARY	DM	SH	01.09.20										
P1	PRELIMINARY	DM	SH	11.08.20										

<p>Architect</p>  <p>Telephone +61 7 3852 2535 Facsimile +61 7 3852 2544 www.bvm.com.au</p>	<p>Civil Engineer</p>  <p>Taylor Thomson Whitting 612 9439 7288 48 Chandos Street St Leonards NSW 2065</p>	<p>Project</p> <p>SANTA SOPHIA CATHOLIC COLLEGE THE GABLES TOWN CENTRE</p>	<p>Sheet Subject</p> <p>FONTANA DRIVE DRIVEWAY PLAN & SECTIONS</p>	<p>Scale: A1 1:100, 1:20</p> <p>Job No 181896</p> <p>Plot File Created: Sep 09, 2020 - 12:28pm</p>	<p>Drawn DM</p> <p>Drawing No C410</p> <p>Revision P3</p>
--	---	--	--	--	---