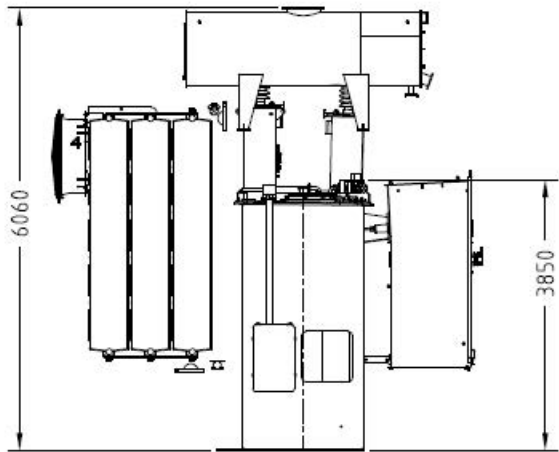
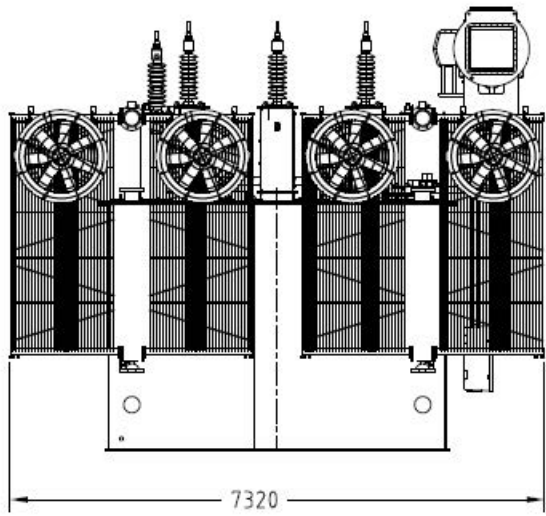
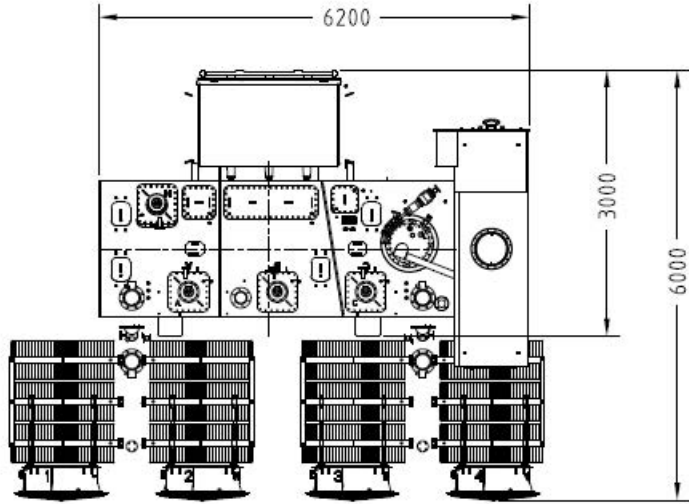


Source: SMA Technology AG



Source - Wilson Transformer Company Pty Ltd