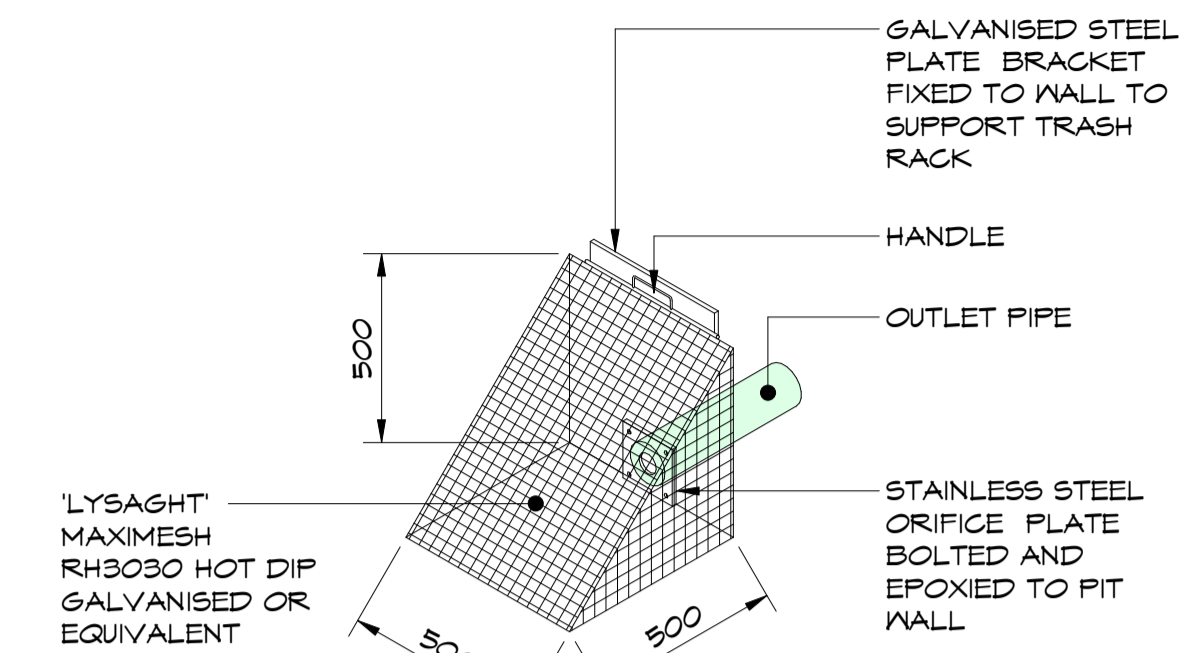
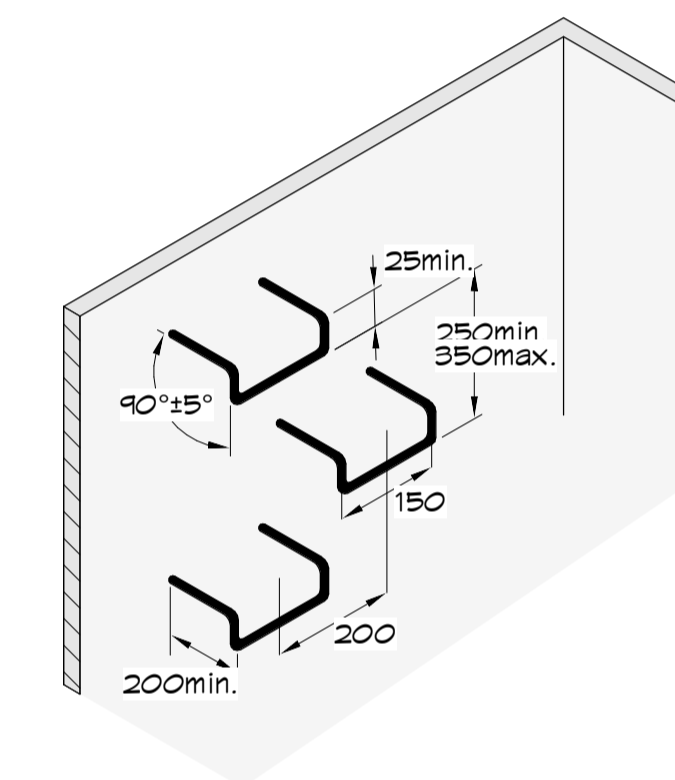


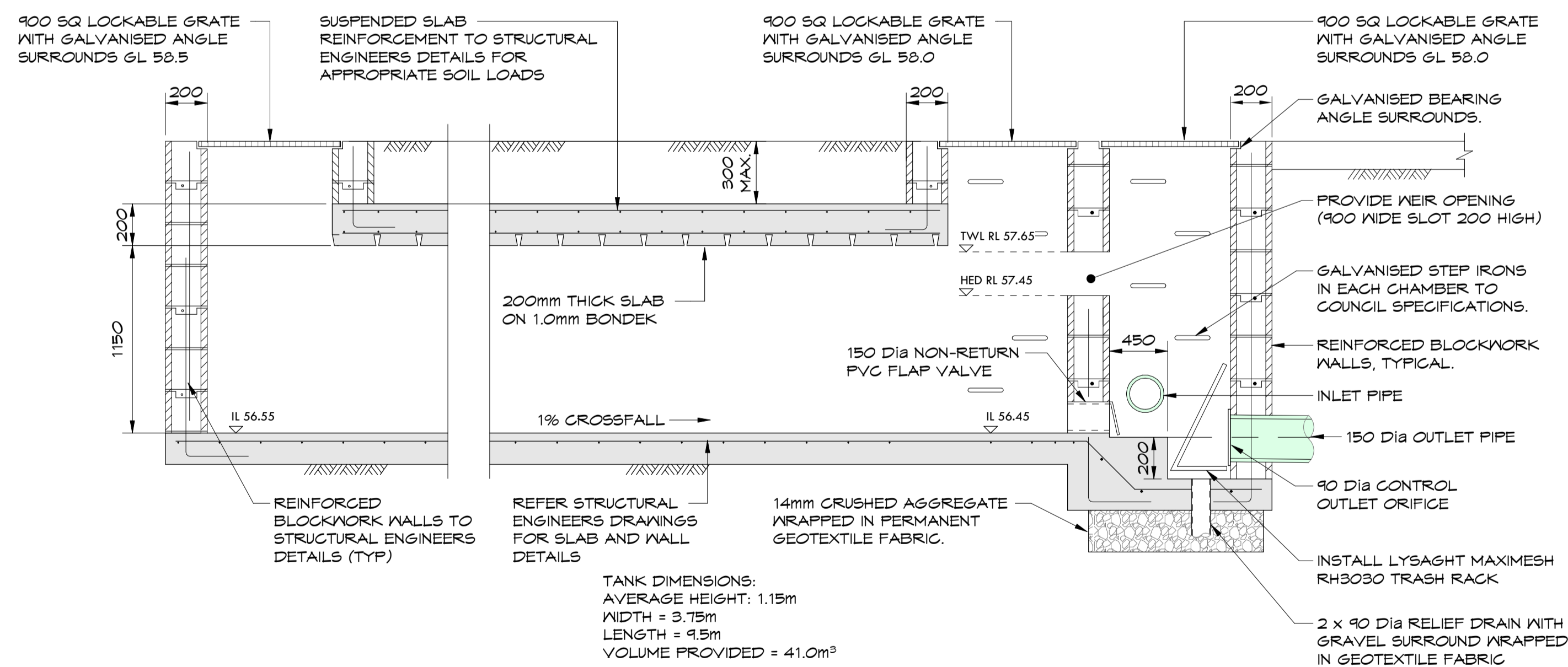
ON SITE DETENTION TANK 1 DETAIL



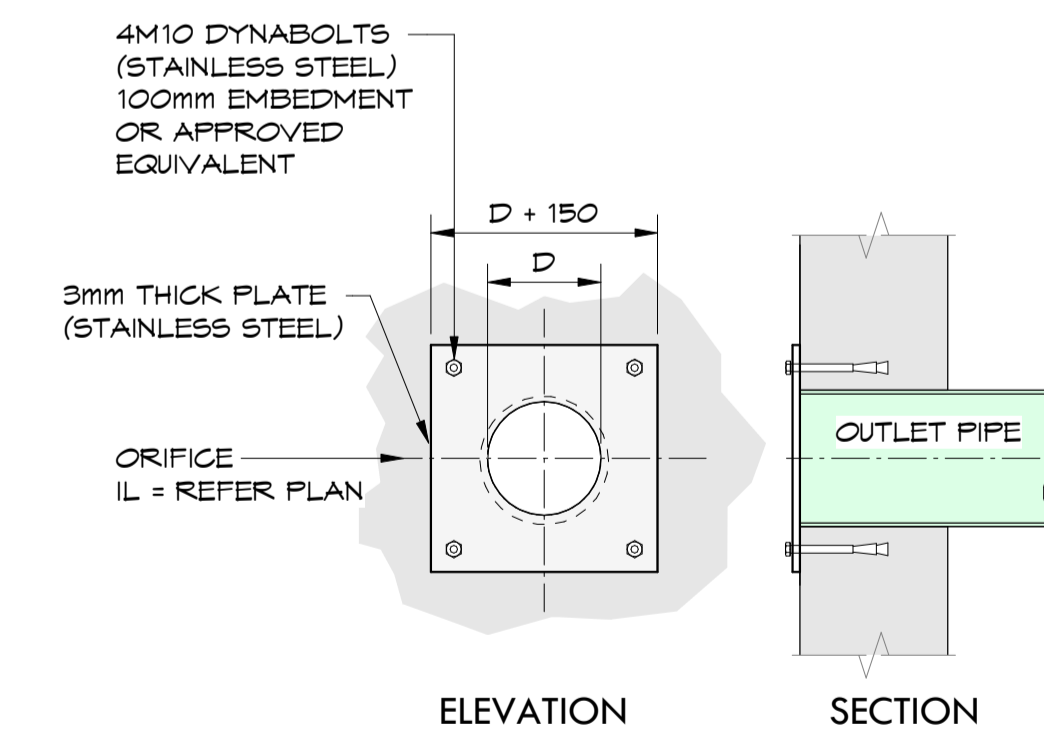
TYPICAL TRASH RACK SCREEN DETAIL



STEP IRON DETAIL



ON SITE DETENTION TANK 2 DETAIL

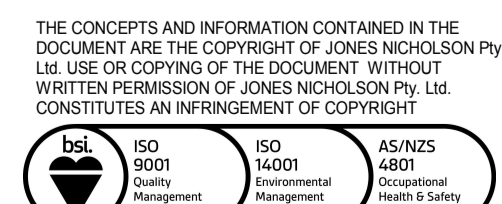


TYPICAL ORIFICE PLATE DETAIL

AMDT	DATE	BY	DESCRIPTION
2	19.11.17	JH	SSD ISSUE
1	21.08.17	KG	PRELIMINARY ISSUE



JDH architects



JONES NICHOLSON CONSULTING ENGINEERS

DESIGN : TH
 DRAWN : KG
 DATE : JULY 2017
 DRG SIZE : A1
 SCALE : As indicated
 PROJECT MGR : BJ

**CIVIL DESIGN
 TYPICAL DETAILS -
 SHEET 2**

**GREYSTANES PUBLIC
 SCHOOL**
 MERRYLANDS ROAD GREYSTANES
 NSW 2145
JDH ARCHITECTS

**161275
 C051 2**

NOT TO BE USED FOR CONSTRUCTION

PRELIMINARY