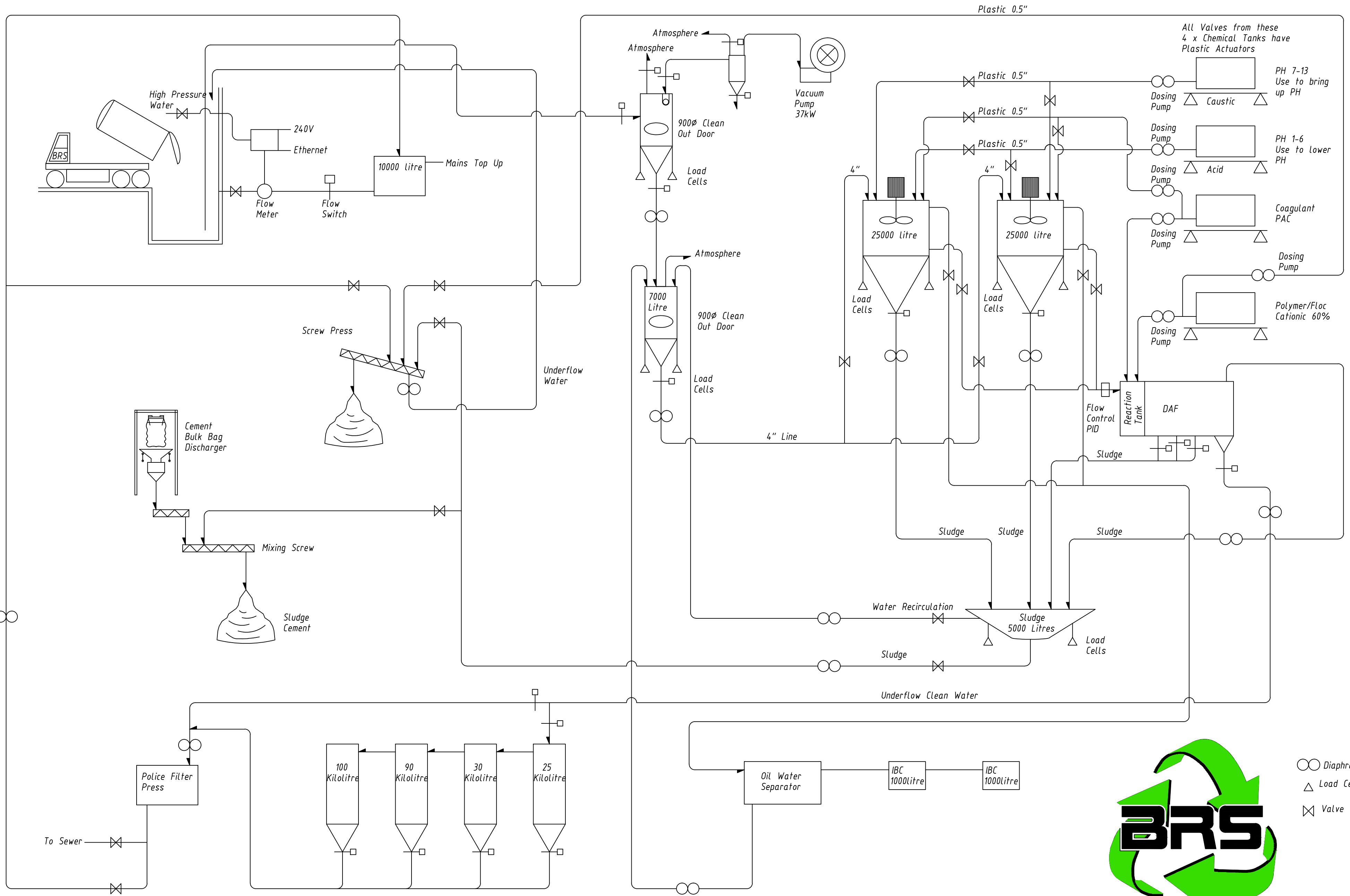


Ref.	Qnt.	Description	Material	Remarks

Amendments or Issues		Date	By	Appr
Revision	Amendment			
R0	As Originally Drawn	NA	NA	NA
R1				
R2				
R3				
R5				
R6				
R7				
R8				

**AWE Group Pty. Ltd.**  
 A.C.N. 002 940 301  
 16 Kerr Road  
 Ingleburn, NSW 2565  
 Email: sales@awe.com.au  
 www.awe.com.au Phone: 1300 044 044

Client Bulk Recovery Solutions, Ingleburn, NSW	Drawn By AA
Title Flow Diagram	Checked By TB
Drawing Number and Revision AWE-GA-002R2	Scale 1:1 (A1 Sheet)
	Date 24-01-18
This drawing is the property of Armstrong Design, and must not be copied or disclosed to third parties except with the written permission of Armstrong Design.	



○○ Diaphragm Pump  
 △ Load Cells  
 ✕ Valve

Items Listing					Amendments or Issues				
Ref.	Qnt.	Description	Material	Remarks	Revision	Amendment	Date	By	Appr
					R0	As Originally Drawn	NA	NA	NA
					R1				
					R2				
					R3				
					R5				
					R6				
					R7				
					R8				

Ref.	Qnt.	Description	Material	Remarks

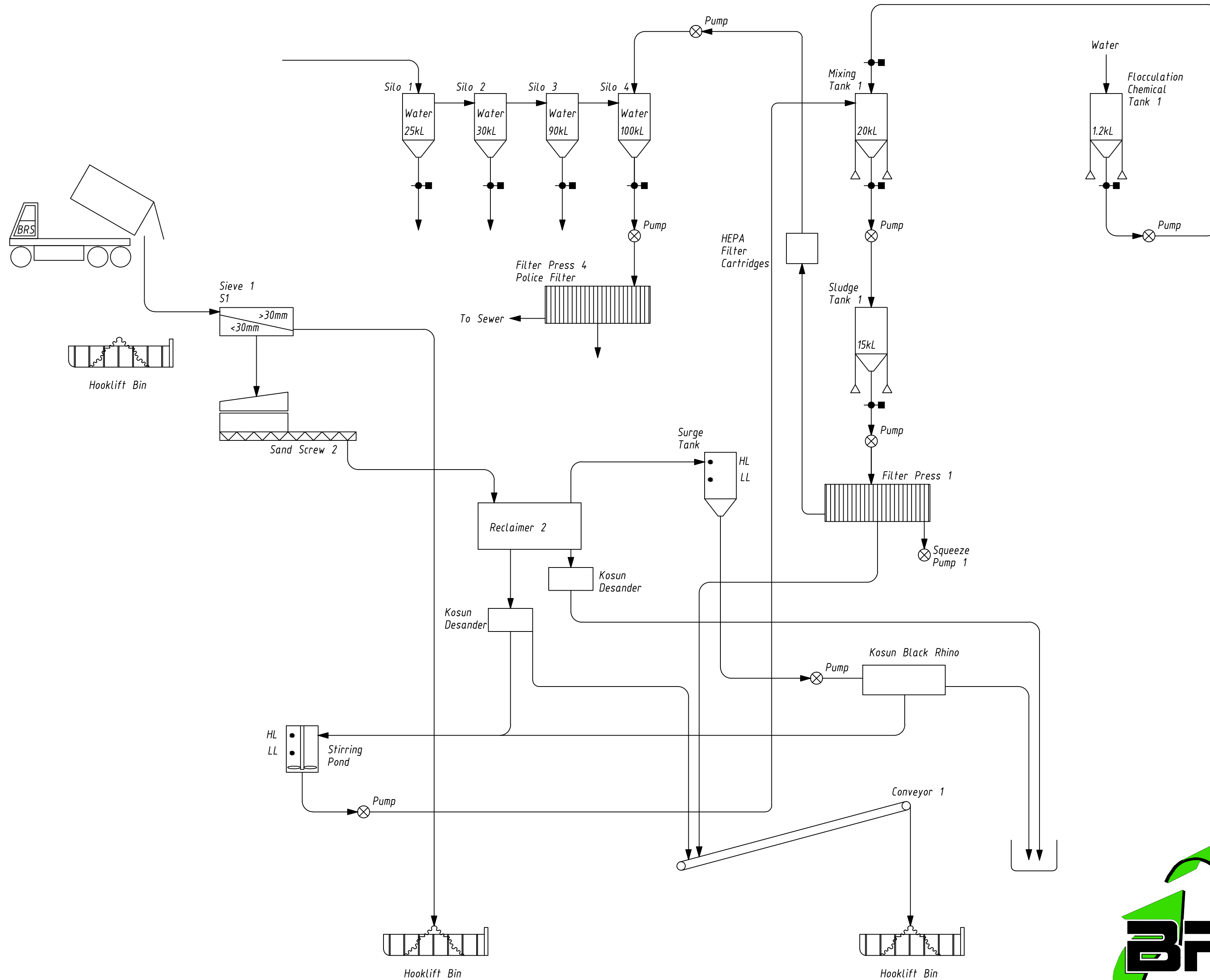


AWE Group Pty. Ltd.

A.C.N. 002 940 301

16 Kerr Road  
Ingleburn, NSW 2565  
Email: sales@awe.com.au  
www.awe.com.au Phone: 1300 044 044

<p>Client <i>Bulk Recovery Solutions, Ingleburn, NSW</i></p> <p>Title <i>Plant Flow Diagram</i></p> <p>Drawing Number and Revision <i>BRSLS-001R2</i></p>	<p>Drawn By AA</p> <p>Checked By</p> <p>Scale 1:1 (A1 Sheet)</p> <p>Date 29-09-18</p> <p><small>This drawing is the property of Armstrong Design and must not be copied or disclosed to third parties except with the written permission of Armstrong Design.</small></p>
---	---



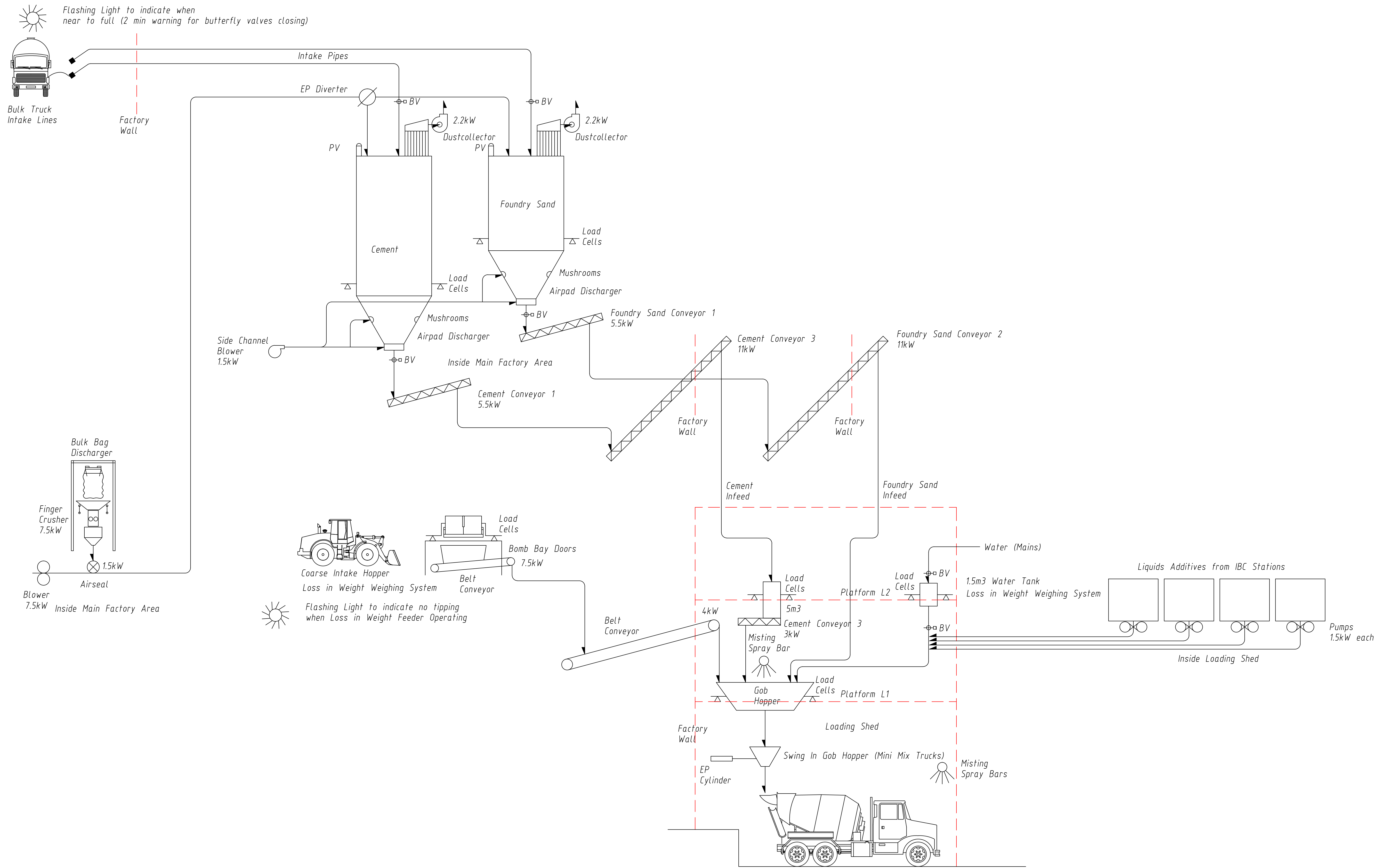
Ref.	Qnt.	Description	Material	Remarks

Amendments or Issues		Date	By	Appr
Revision	Amendment			
R0	As Originally Drawn	NA	NA	NA
R1				
R2				
R3				
R5				
R6				
R7				
R8				



**AWE Group Pty. Ltd.**  
A.C.N. 002 940 301  
16 Kerr Road  
Ingleburn, NSW 2565  
Email: sales@awe.com.au  
www.awe.com.au Phone: 1300 044 044

Client <i>Bulk Recovery Solutions, Ingleburn, NSW</i>	Drawn By AA
Title <i>Asbestos Contaminated Liquids Plant Flow Diagram</i>	Checked By
Drawing Number and Revision <i>BRSLS-002</i>	Scale 1:1 (A1 Sheet)
	Date 29-09-18
	<small>This drawing is the property of Armstrong Design, and must not be copied or disclosed to third parties except with the written permission of Armstrong Design.</small>



Items Listing					Amendments or Issues				
Ref.	Qnt.	Description	Material	Remarks	Revision	Amendment	Date	By	Appr
					R0	As Originally Drawn	NA	NA	NA
					R1				
					R2				
					R3				
					R5				
					R6				
					R7				
					R8				

## AWE Group Pty. Ltd.

A.C.N. 002 940 301

16 Kerr Road  
Ingleburn, NSW 2565  
Email: sales@awe.com.au  
www.awe.com.au Phone: 1300 044 044

Client BRS Mixing Plant, Ingleburn, NSW	Drawn By AA
Title Flow Diagram Reverse Landfill - Making it go around again!	Checked By
Drawing Number and Revision <span style="font-size: 1.5em; font-weight: bold;">BRSMP-1000</span>	Scale 1:1 (A1 Sheet)
	Date 11-12-17
This drawing is the property of Armstrong Design, and must not be copied or disclosed to third parties except with the written permission of Armstrong Design.	