
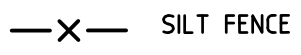

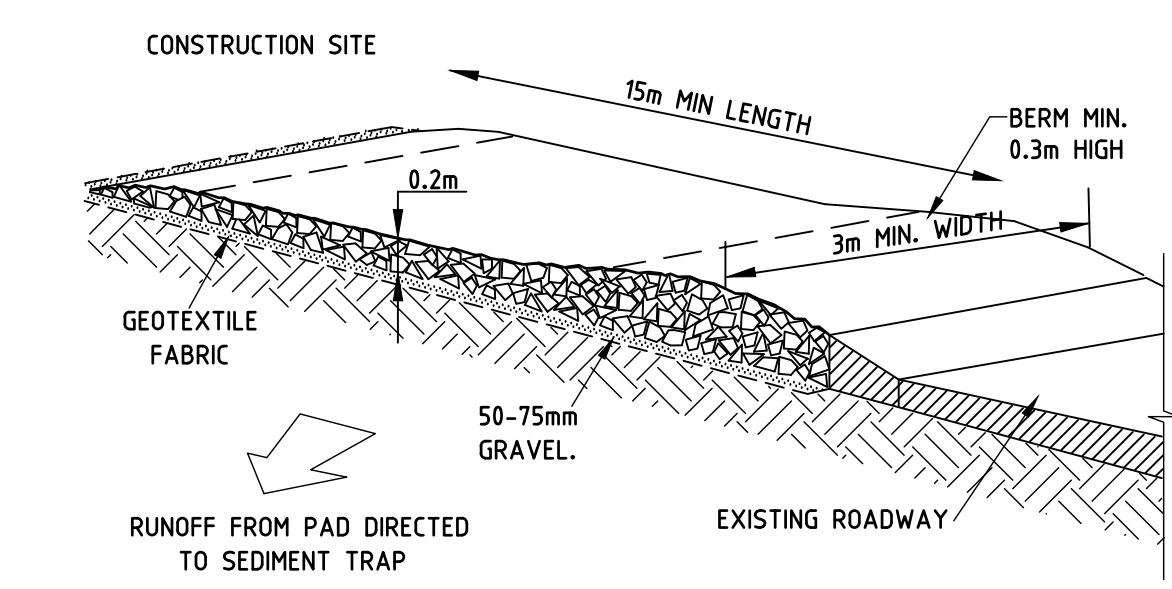
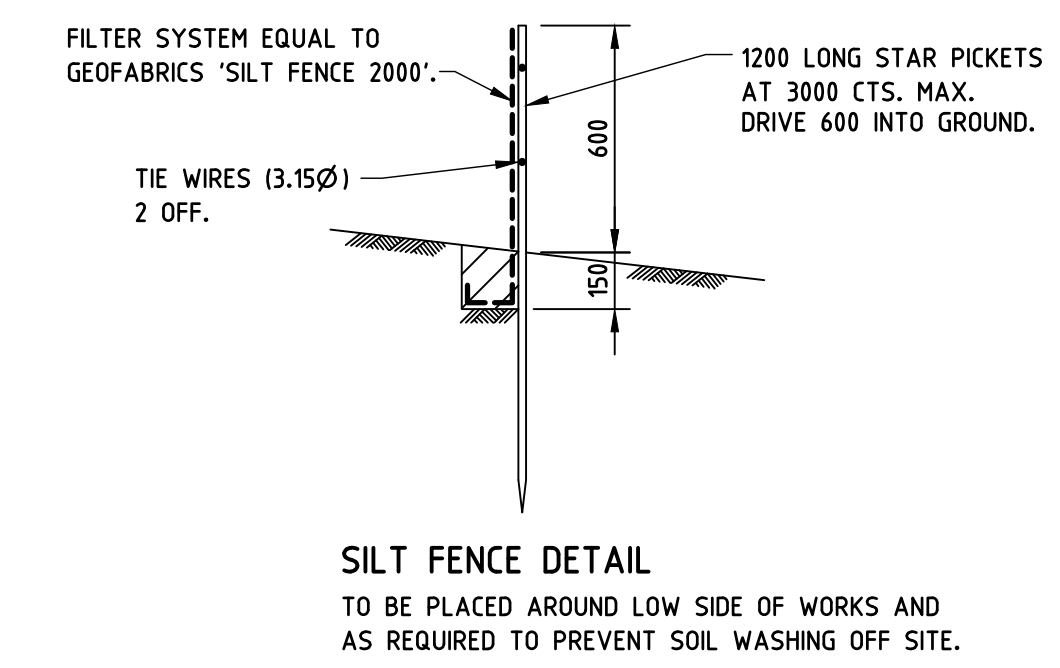
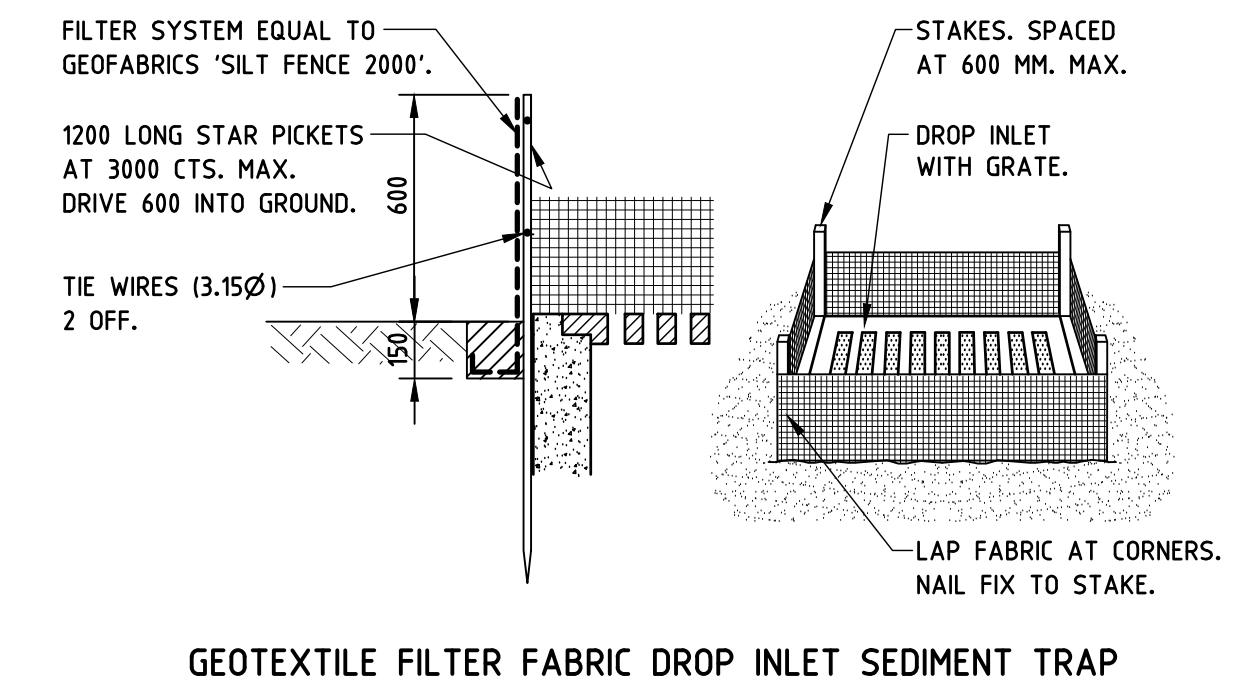


PLAYFAIR ROAD
PLAYFAIR ROAD
PLAYFAIR ROAD

LEGEND

-  TEMPORARY SITE ENTRY/EXIT
-  SILT FENCE
-  SILT TRAP

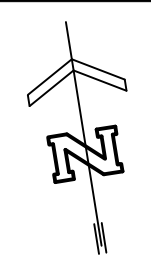


TEMPORARY CONSTRUCTION ENTRY/EXIT
 TO BE PROVIDED WHERE CONSTRUCTION VEHICLES LEAVE SITE.

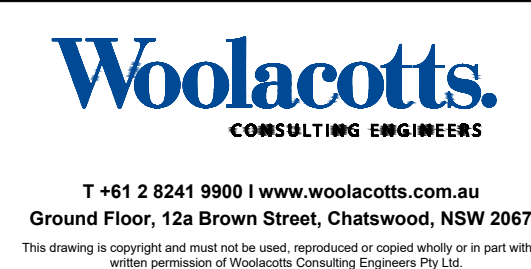
EROSION AND SEDIMENT CONTROL DETAILS
 PROVIDE AS REQUIRED TO PREVENT SILT FROM LEAVING THE SITE.



No.	Date	Description	Ver.	Appr.
A	20.04.17	ISSUED FOR DA	JL	SDC
B	18.05.17	AMENDED ISSUE FOR DA		



Architect
 TKD
 LEVEL 1, 19 FOSTER STREET
 SURRY HILLS, NSW, 2010



CURL CURL NORTH PUBLIC SCHOOL

EROSION AND SEDIMENT CONTROL PLAN

Date	APRIL 2017	Approved	Verified	Prepared
Scale @ B1	1:300, 20			J.K. 20.04.17
Job number	16-258	Drawing number	ES1	Amendment B