

- NOTES:
- 1) FREEBOARD PROVISIONS, FLOOD CRESTS, OVERLAND FLOW ROUTES AND PIPED FLOOD DIVERSION NETWORK AS PER FLOOD ENGINEERS ADVICE. REFER TO FLOOD REPORT BY KUSTOM ENGINEERING PTY LTD.
 - 2) ALL GRATED SERVICE INLET PITS DRAINING PAVED AREAS ARE TO INCORPORATE STORMWATER 360 ENVIROPOD BASKET INSERTS.
 - 3) AS PER RANDWICK COUNCIL'S DCP REQUIREMENTS, A MINIMUM OF ONE POLLUTANT TRAP IS TO BE LOCATED BETWEEN THE LAST DOWNSTREAM STORMWATER PIT PRIOR TO DISCHARGE FROM THE SITE.

FOR CONTINUATION REFER TO DRAWING N0033

Reference: C02.dwg - USDR: nil/mm - Plot File Created: Apr 13, 2017 - 2:59pm

Rev	Description	Eng	Draft	Date	Rev	Description	Eng	Draft	Date	Rev	Description	Eng	Draft	Date
A	ISSUE FOR SSD APPLICATION	WW	RG	13.04.17										

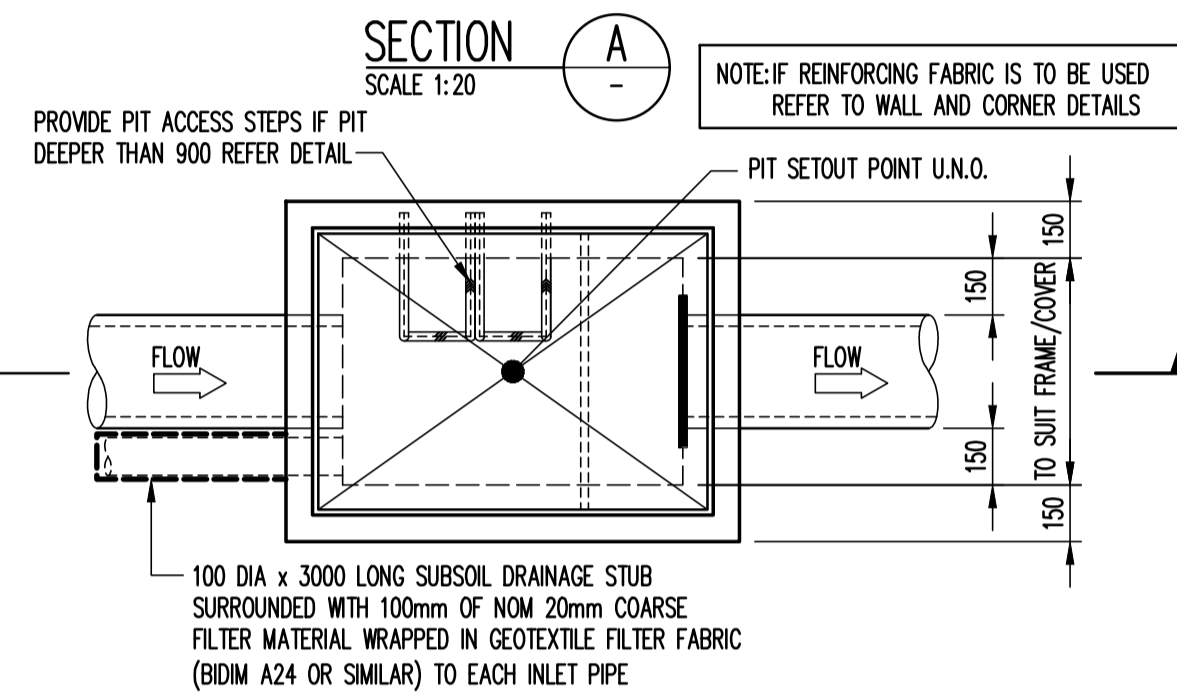
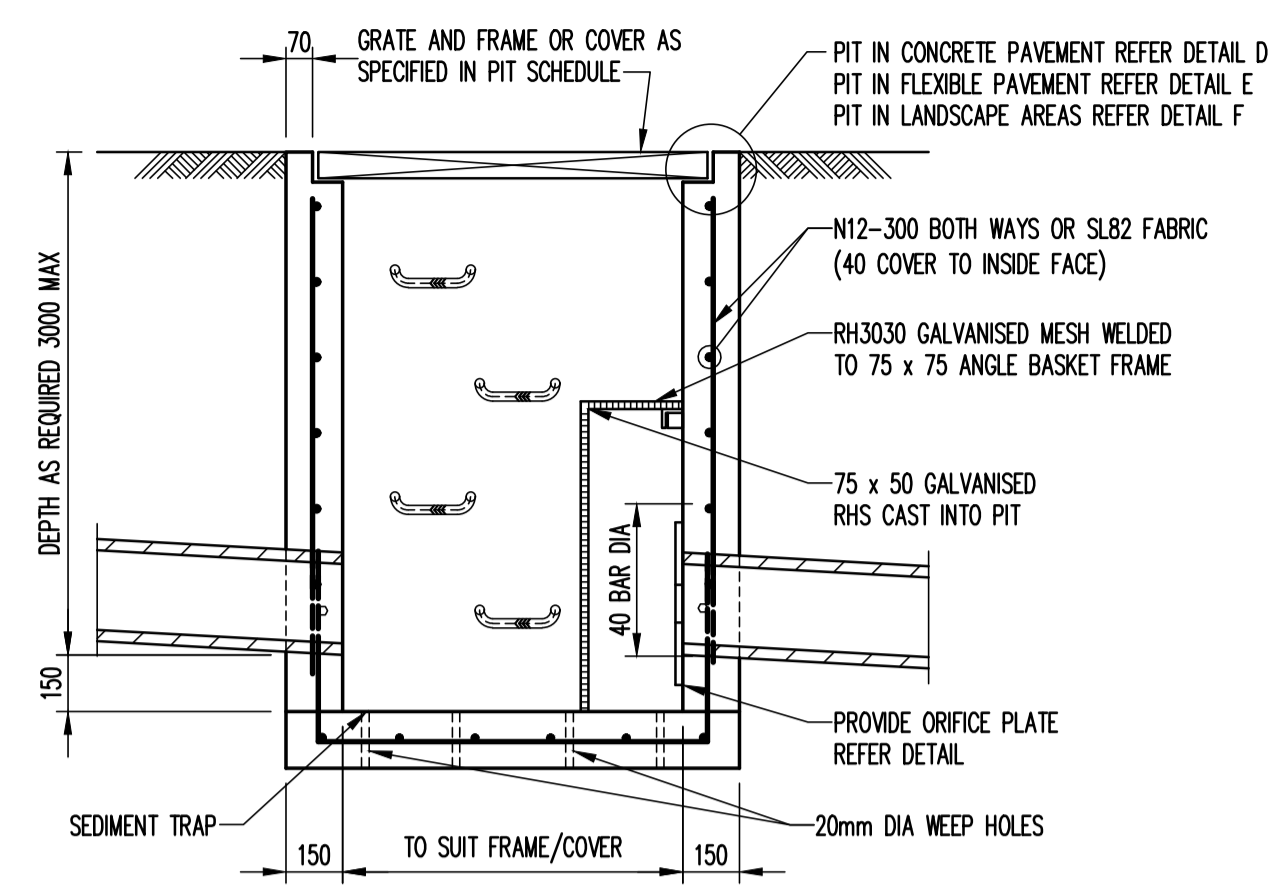
Architect
fjmt
 francis-jones morehen thorp

Structural Engineer
TTW Taylor Thomson Whitting
 612 9439 7288 | 48 Chandos Street St Leonards NSW 2065

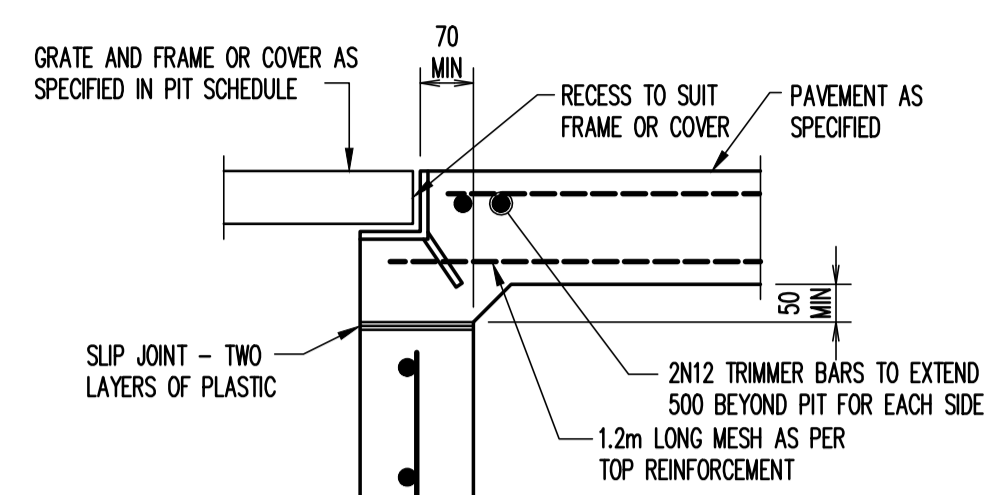
Project
 UNSW CLIFFBROOK CAMPUS REDEVELOPMENT, COOGEE

Sheet Subject
 STORMWATER MANAGEMENT AND SITE WORKS PLAN SHEET 1 OF 1

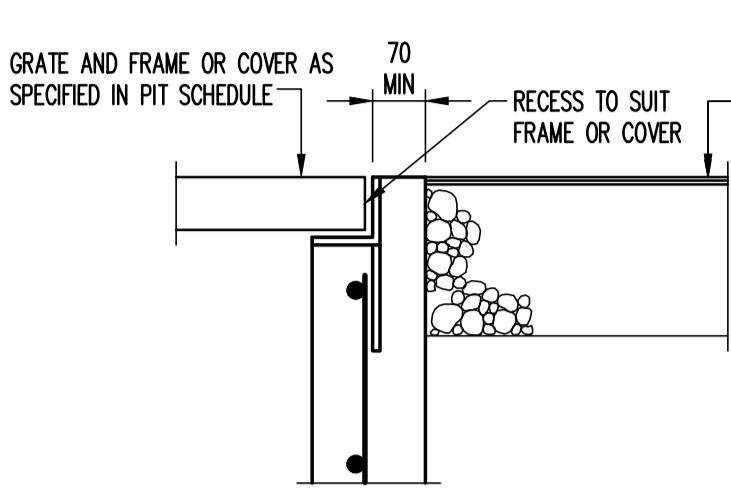
Scale: A1 1:200 Drawn RG Authorised
 Job No 161031 Drawing No C02 Revision A
 Plot File Created: Apr 13, 2017 - 2:59pm



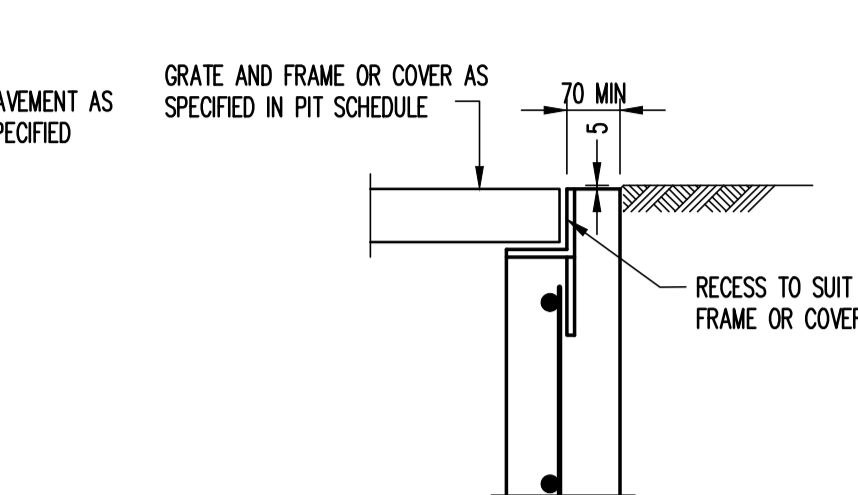
PIT TYPE - A
SCALE 1:20



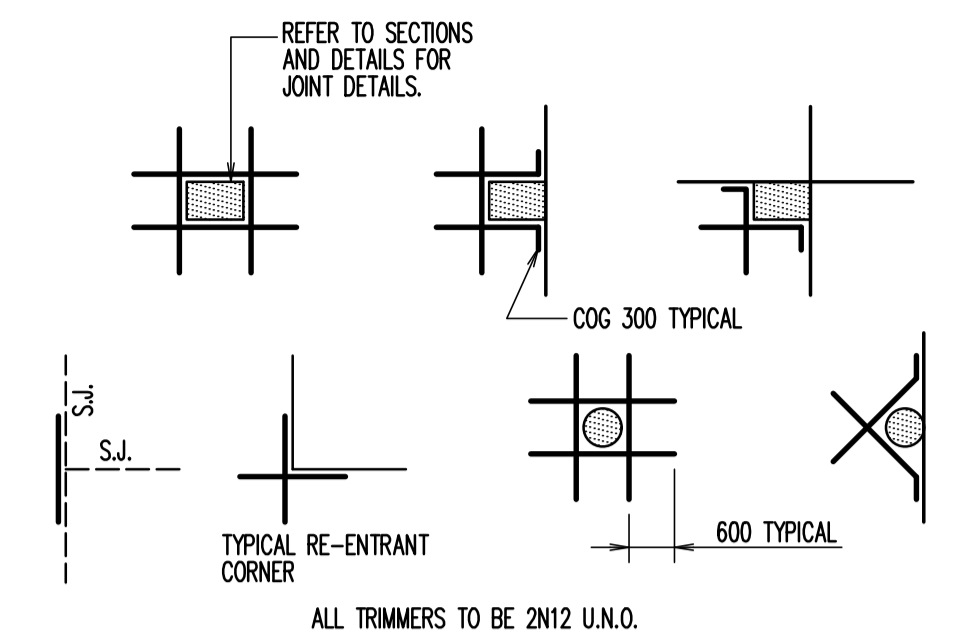
DETAIL D
SCALE 1:10



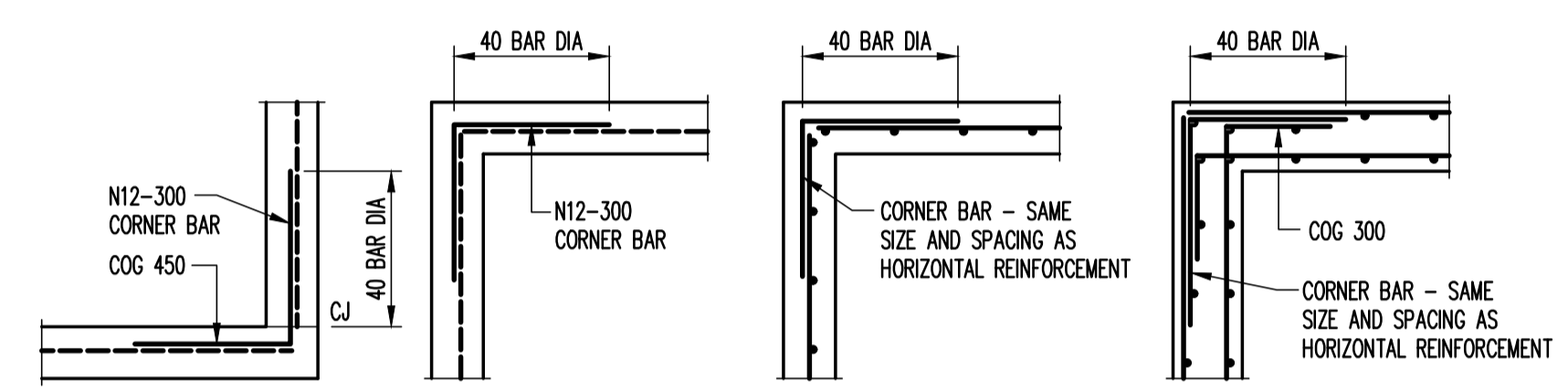
DETAIL E
SCALE 1:10



DETAIL F
SCALE 1:10

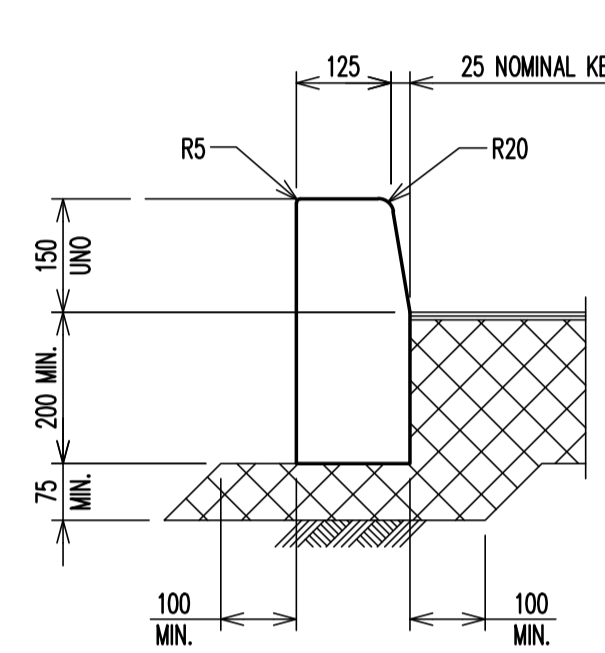


TYPICAL SLAB ON GROUND TRIMMER DETAILS
AT ALL COLUMNS, WALLS, PITS, FLOOR WASTES, ETC THAT CAUSE A PENETRATION THROUGH THE SLAB.

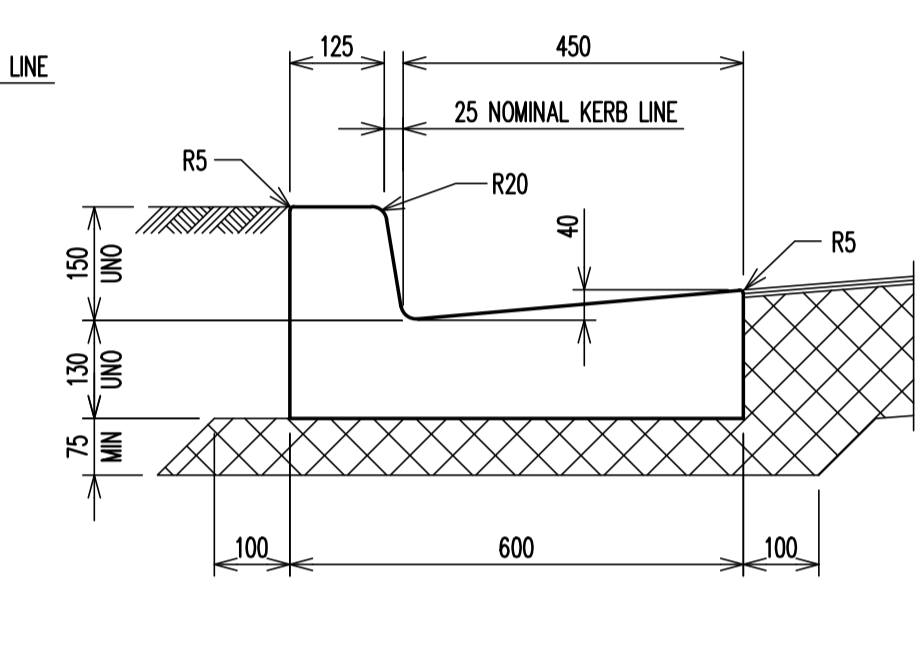


FABRIC REINFORCEMENT
SCALE 1:20

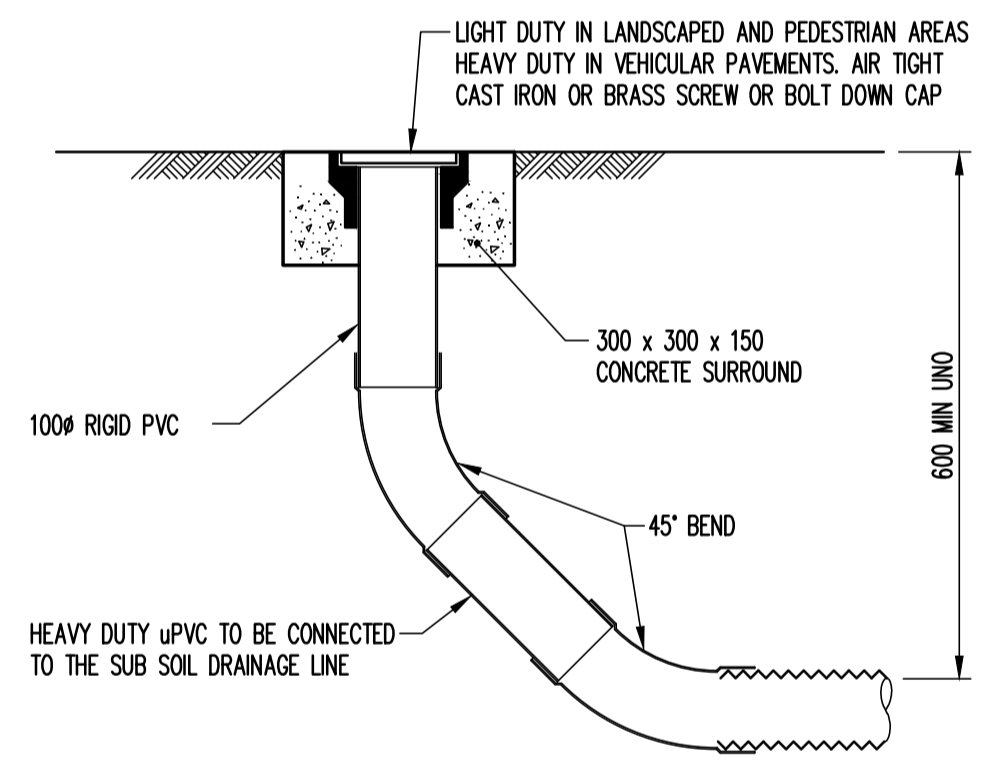
DESIGNER TO VERIFY EXTENT OF DETAILING



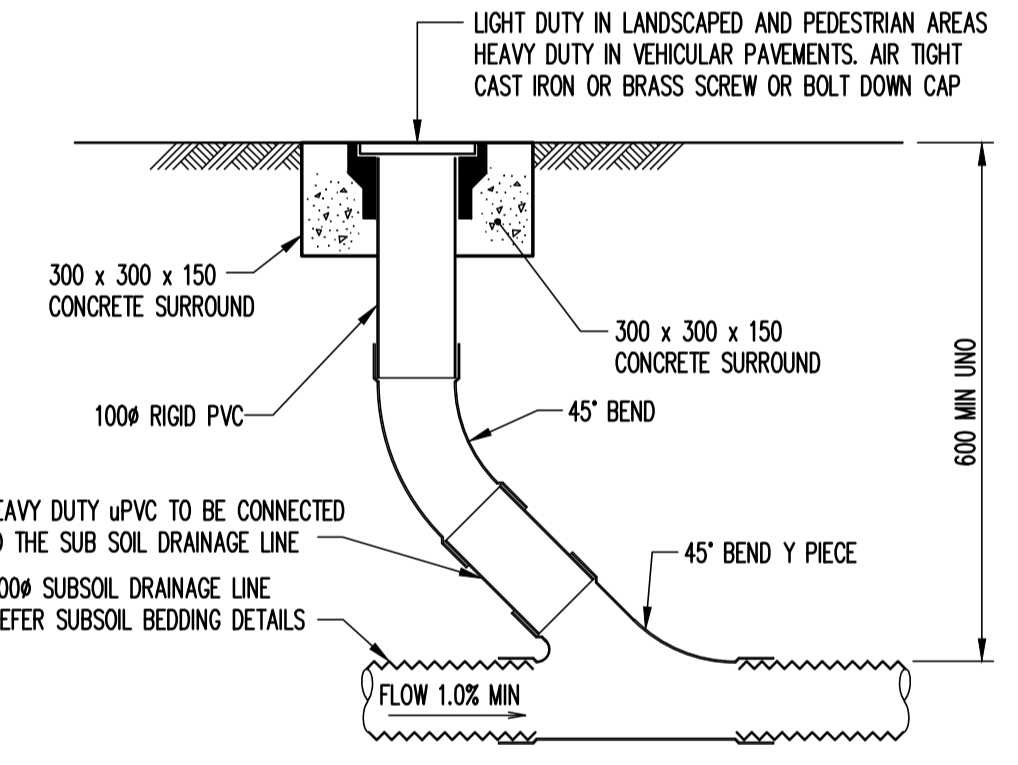
KERB ONLY (KO)
SCALE 1:10



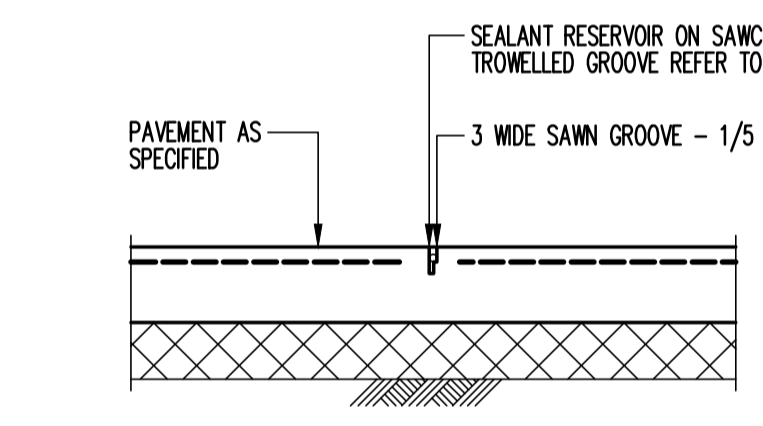
KERB AND GUTTER (K&G)
SCALE 1:10



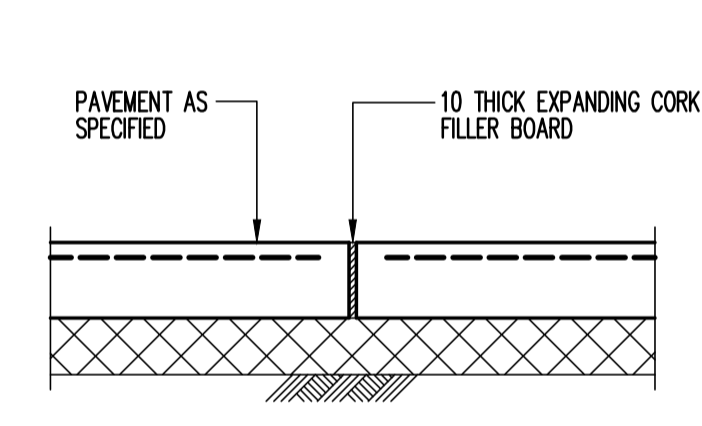
FLUSHING POINT (FP)
SCALE 1:10
NOTE: SLOTTED RIGID PVC PIPE AND FITTINGS MAY BE USED



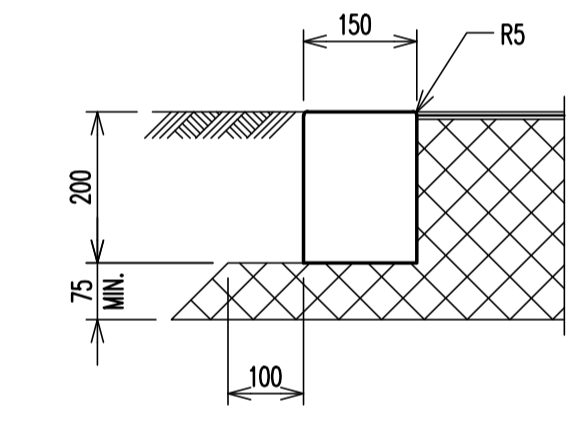
INTERMEDIATE RISER (IR)
SCALE 1:10
NOTE: SLOTTED RIGID PVC PIPE AND FITTINGS MAY BE USED



WEAKENED PLANE JOINT (WPJ)
SCALE 1:20

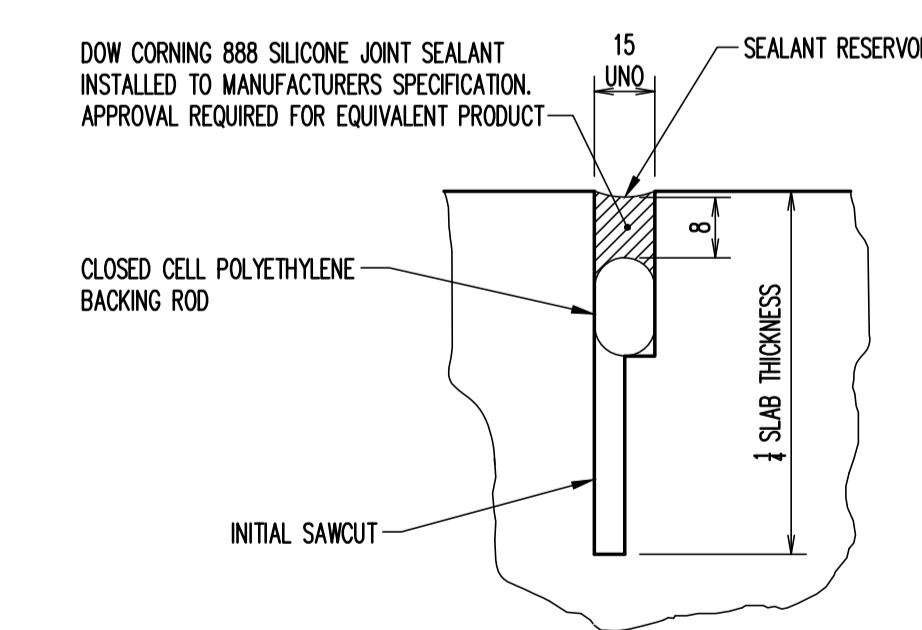


EXPANSION JOINT (EJ)
SCALE 1:20

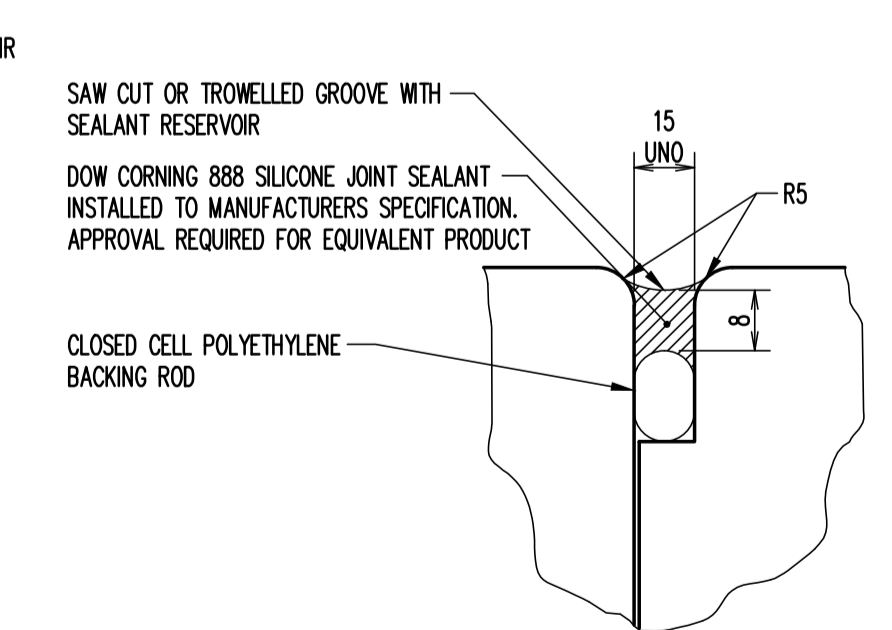


FLUSH KERB (FK)
SCALE 1:10

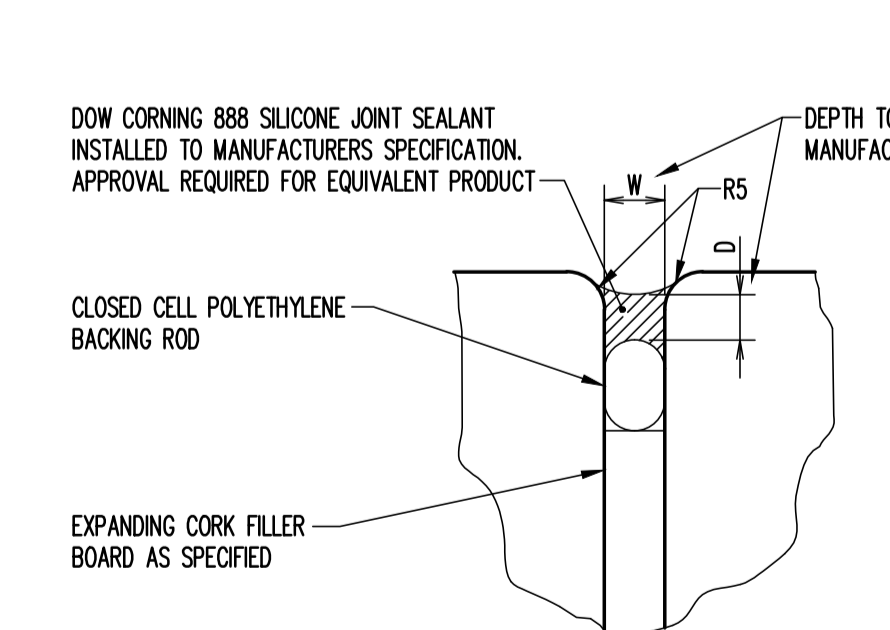
NOTE: REFER TO JOINTING NOTES, POINT 5 FOR TIMING OF SAW CUTS.



DETAIL A
NTS

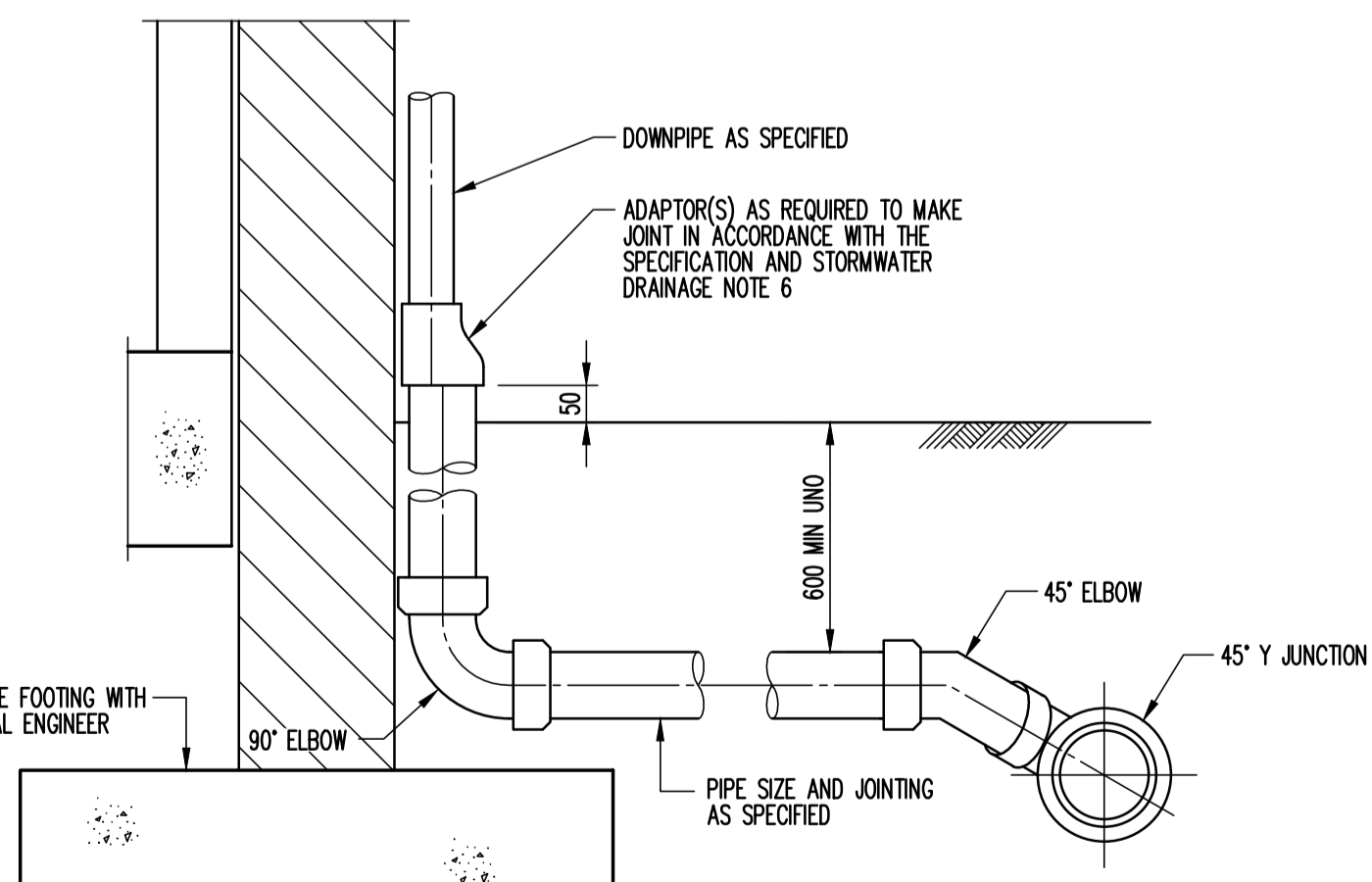


DETAIL B
NTS

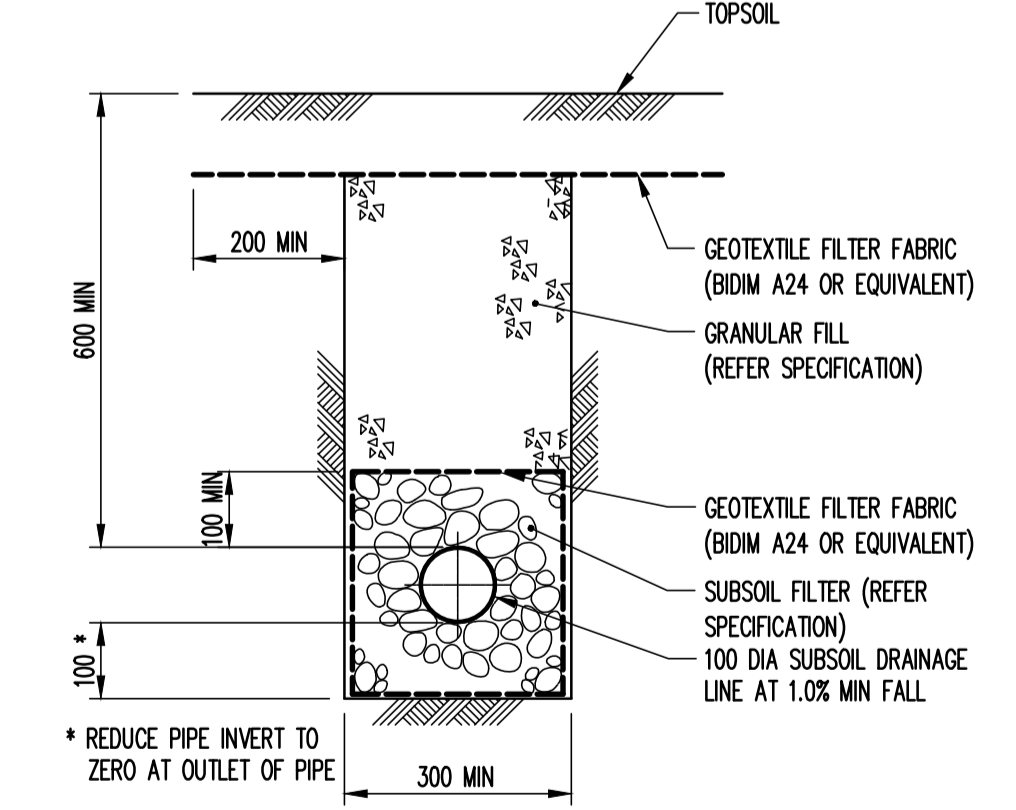


DETAIL C
NTS

NOTE: REFER TO JOINTING NOTES, POINT 5 FOR TIMING OF SAW CUTS.



DOWNPIPE CONNECTION TO uPVC STORMWATER
SCALE 1:10



SUBSOIL IN LANDSCAPED AREAS
SCALE 1:10

Reference: C10.dwg - USSE - William - Plot File Created: Apr 13, 2017 - 2:25pm

Architect			Structural Engineer			Project			Scale : A1			Drawn			Authorised		
fjmt			TTW Taylor Thomson Whitting			UNSW CLIFFBROOK CAMPUS REDEVELOPMENT, COOGEE			AS SHOWN			RG					
Rev Description			Rev Description			Rev Description			Job No			Drawing No			Revision		
A ISSUE FOR SSD APPLICATION			WW RG 13.04.17						161031			C10			A		
Eng Draft Date			Eng Draft Date			Eng Draft Date			Plot File Created: Apr 13, 2017 - 2:25pm								