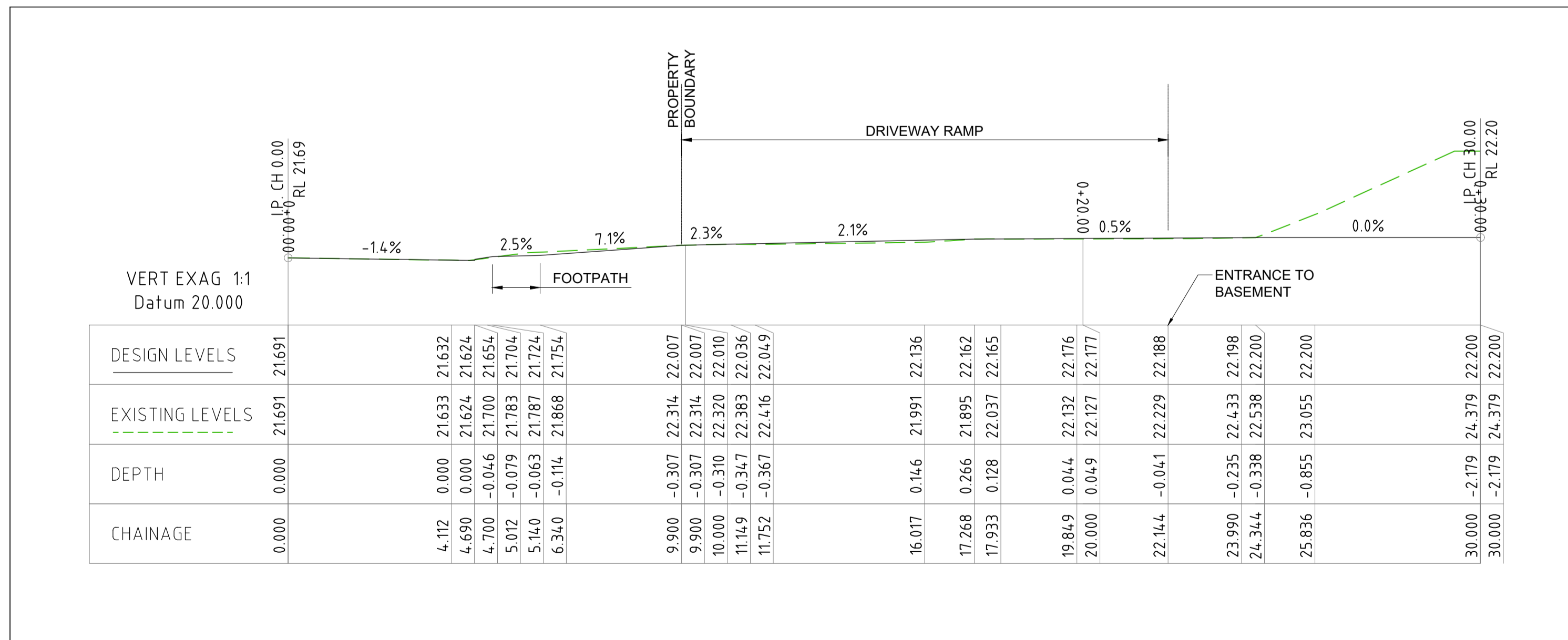


DRIVEWAY DETAILED LAYOUT

SCALE 1:100



THIS MAY BE A REDUCED SIZE PRINT - CHECK SCALE



DRIVEWAY LONG SECTION

SCALE 1:100

PRELIMINARY ISSUE
NOT FOR CONSTRUCTION

ISSUE	DESCRIPTION	APPROVED	DATE
P2	FOR SSSA ISSUE		24.09.25
P1	PRELIMINARY ISSUE		13.08.25

ARCHITECT
CALDERFLOWER
architecture

BIRZULIS ASSOCIATES
CONSULTING STRUCTURAL & CIVIL ENGINEERS
583 DARLING STREET ROZELLE NSW 2039
tel: (02) 9555 7230 email: office@birzulisassociates.com
www.birzulisassociates.com

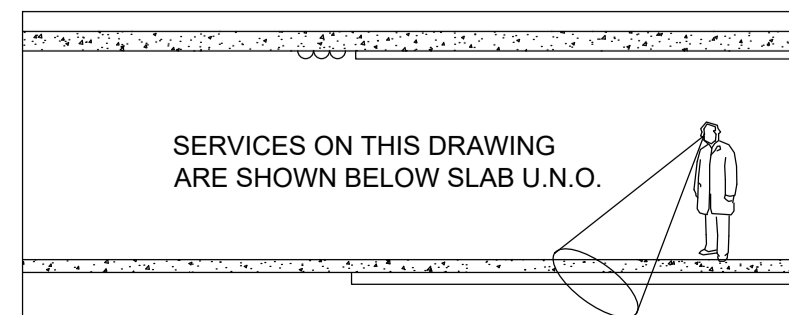
PROJECT
OPAL BAYVIEW GARDENS
ANNAM ROAD BAYVIEW NSW

TITLE
DRIVEWAY PLAN AND LONG SECTIONS

DIAL BEFORE YOU DIG

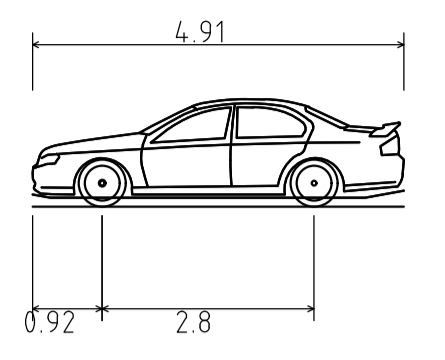
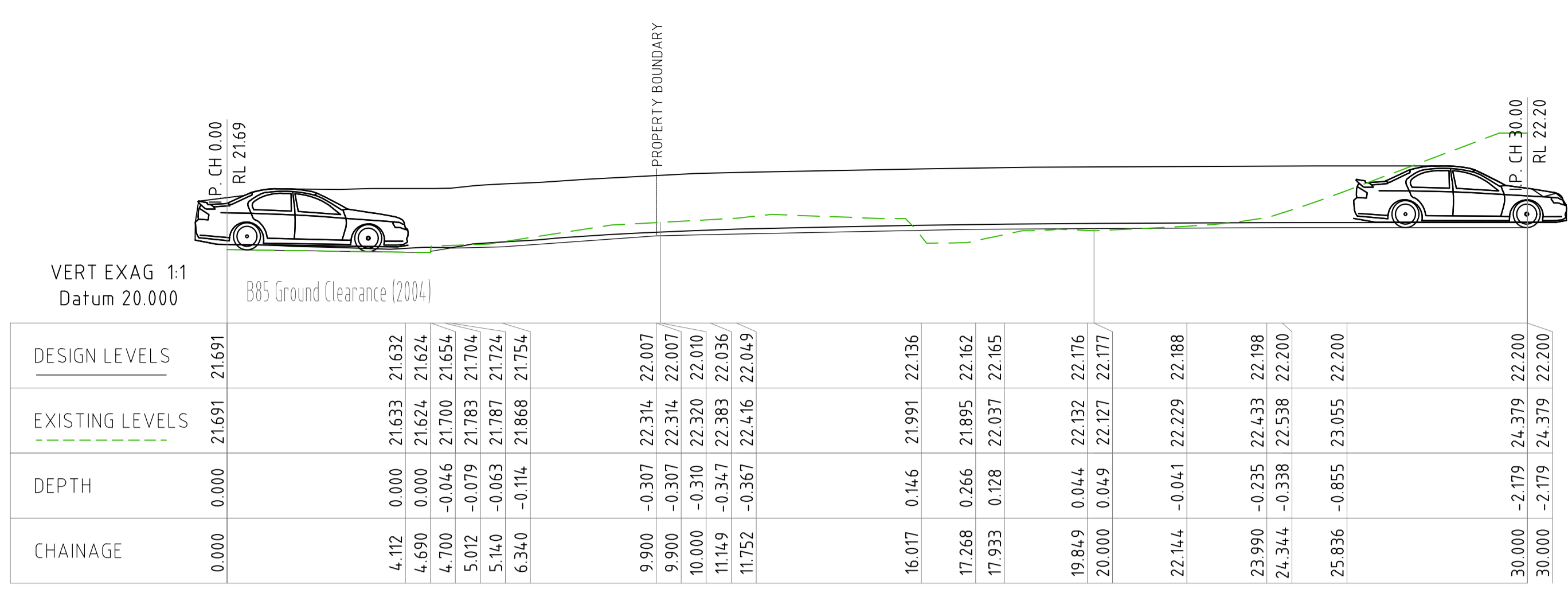


IMPORTANT: THE CONTRACTOR IS TO MAINTAIN A CURRENT SET OF "DIAL BEFORE YOU DIG" DRAWINGS ON SITE AT ALL TIMES.



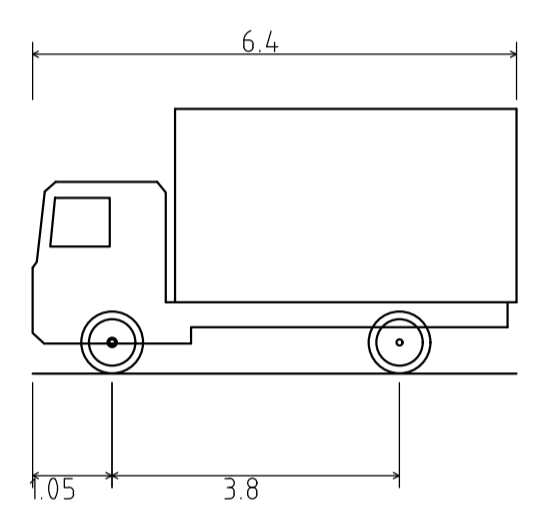
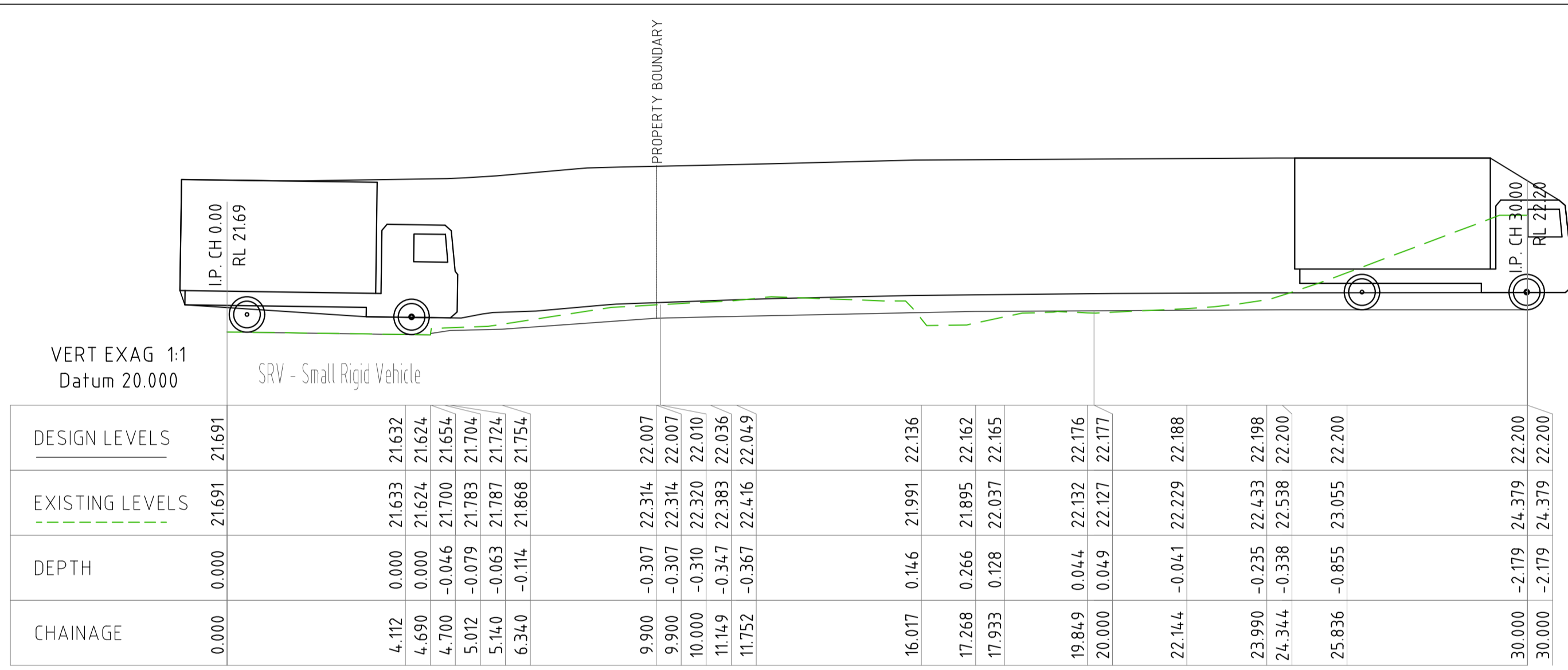
SCALES	DATE		
1:100 @ A1	AUG' 2025		
DRAWN	DESIGN	VERIFIED	APPROVED
C.KE	H.F	C.M	
ISSUE	PROJECT No.	DRAWING No.	
P2	9449	C.0600	

PRINT IN COLOUR



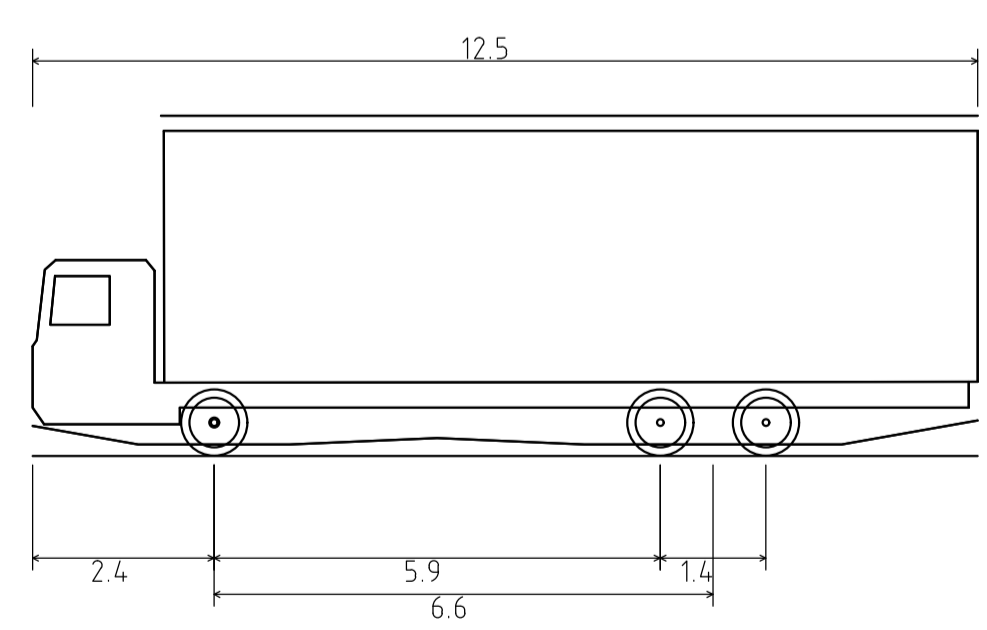
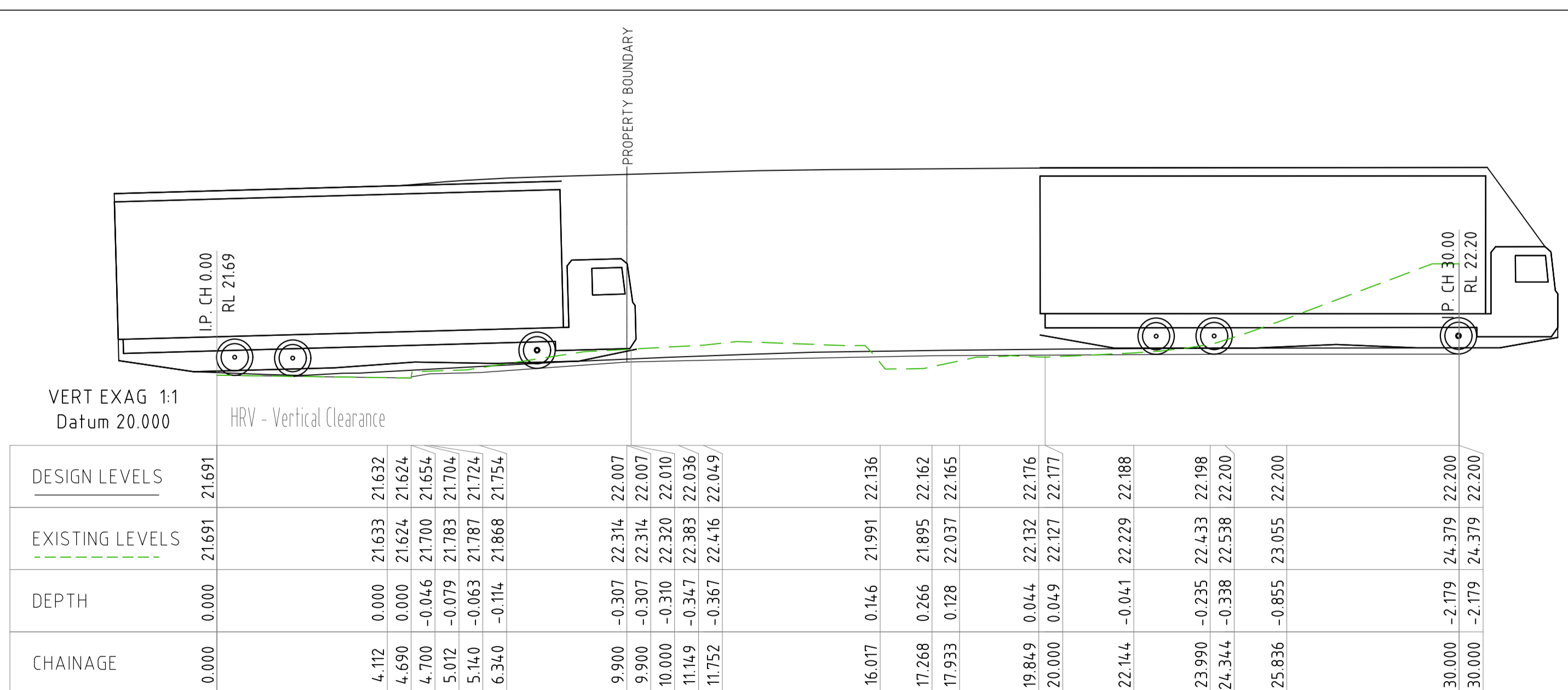
B85 Ground Clearance (2004)
 Overall Length 4.910m
 Overall Width 1.870m
 Overall Body Height 1.421m
 Min Body Ground Clearance 0.120m
 Track Width 1.770m
 Lock-to-lock time 4.00s
 Curb to Curb Turning Radius 8.000m

VERTICAL HEIGHT CLEARANCES - B85
 SCALE 1:100



SRV - Small Rigid Vehicle
 Overall Length 6.400m
 Overall Width 2.330m
 Overall Body Height 3.500m
 Min Body Ground Clearance 0.398m
 Track Width 2.330m
 Lock-to-lock time 4.00s
 Curb to Curb Turning Radius 7.100m

VERTICAL HEIGHT CLEARANCES - SRV
 SCALE 1:100



HRV - Vertical Clearance
 Overall Length 12.500m
 Overall Width 2.500m
 Overall Body Height 4.500m
 Min Body Ground Clearance 0.150m
 Track Width 2.500m
 Lock-to-lock time 6.00s
 Curb to Curb Turning Radius 12.500m

VERTICAL HEIGHT CLEARANCES - HRV
 SCALE 1:100

PRELIMINARY ISSUE
 NOT FOR CONSTRUCTION

ISSUE	DESCRIPTION	APPROVED	DATE
P1	FOR SSSA ISSUE		24.09.25

ARCHITECT
CALDERFLOWER
 architecture

BIRZULIS ASSOCIATES
 CONSULTING STRUCTURAL & CIVIL ENGINEERS
 583 DARLING STREET ROZELLE NSW 2039
 tel: (02) 9555 7230 email: office@birzulisassociates.com
 www.birzulisassociates.com

PROJECT
OPAL BAYVIEW GARDENS
 ANNAM ROAD BAYVIEW NSW

TITLE
DRIVEWAY VERTICAL HEIGHT CLEARANCES SECTIONS

SCALES	1:100 @ A1	DATE	AUG' 2025
DRAWN	C.KE	DESIGN	H.F
ISSUE	P1	VERIFIED	C.M
PROJECT No.	9449	DRAWING No.	C.0610

This drawing is the copyright of Birzulis Associates Pty Ltd and may not be altered, reproduced or transmitted in any form or by any means in part or in whole without the written permission of Birzulis Associates Pty Ltd. All levels and dimensions are to be checked and verified on site prior to the commencement of any work, making of shop drawings or fabrication of components. Do not scale drawings. Use Figure Dimensions.

PRINT IN COLOUR

