

LEGEND

EB - EDGE OF BITUMEN
 TB - TOP OF BANK
 BB - BOTTOM OF BANK
 WT - TOP OF WINDOW
 WB - BOTTOM OF WINDOW
 EV - EAVES
 RR - ROOF RIDGE
 FL - FLOOR LEVEL
 TEL - TELSTRA PIT
 IW - INVERT LEVEL
 WM - WATER METER
 SV - STOP VALVE
 ELEC - ELECTRICAL PIT
 PP - POWER POLE
 BM - BENCHMARK
 Ø 45/101H6 - DIAMETER/SPREAD/HEIGHT

NOTE

NO BOUNDARY SURVEY HAS BEEN UNDERTAKEN. BEARINGS, DIMENSIONS AND AREAS ARE FROM TITLE ONLY AND ARE SUBJECT TO CONFIRMATION BY BOUNDARY SURVEY.

SERVICES SHOWN ARE INDICATIVE ONLY. POSITIONS ARE BASED ON SURFACE INDICATORS LOCATED DURING FIELD SURVEY. CONFIRMATION OF THE EXACT POSITION SHOULD BE MADE PRIOR TO ANY EXCAVATION WORK. OTHER SERVICES MAY EXIST WHICH ARE NOT SHOWN.

LEVELS ARE BASED ON AUSTRALIAN HEIGHT DATUM (AHD) USING PM 20638 WITH RL 91.78 (AHD).

RIDGE & GUTTER HEIGHTS HAVE BEEN OBTAINED BY INDIRECT METHOD AND ARE ACCURATE TO ± 0.05m.

CONTOURS ARE AN INDICATION OF LANDFORM AND SHOULD NOT BE TAKEN IN PREFERENCE TO SPOT LEVELS SHOWN.

CONTOUR INTERVAL 0.5m.

LEGEND

BENCH MARK	▲
TELSTRA PIT	⊗ TEL
ELECTRIC LIGHT POLE	⊕ LP
POWER POLE	⊕ PP
SIGN POST	⊕ SP
SEWER INSPECTION PIT	⊕ SIP
SEWER VENT	⊕ SEWER
MANHOLE	⊕ MH
SEWER MANHOLE	⊕ SMH
STOP VALVE	⊕ SV
WATER HYDRANT	⊕ HYD
WATER METER	⊕ WM
GAS METER	⊕ G
STATE SURVEY MARK	⊕ SSM

TOTAL SURVEYING SOLUTIONS
 SUITE 5 / 21 ELIZABETH STREET, CAMDEN NSW 2570
 Ph. (02) 4655 4035 Fax. (02) 46 55 7094 Email: tss@totalsurveying.com.au

NOTE: INFORMATION CONTAINED IN THIS PLAN IS THE COPYRIGHT OF TOTAL SURVEYING SOLUTIONS. THE USE OR DUPLICATION WITHOUT THE WRITTEN CONSENT OF TOTAL SURVEYING SOLUTIONS CONSTITUTES AN

DRAWING: PLAN SHOWING DETAIL & LEVELS OVER LOT 307 & 345 IN DP 2475

CLIENT: PARKLANDS TRUSTS

PROJECT: DETAIL SURVEY

ADDRESS: 185 FIFTEENTH AVENUE, WEST HOXTON

JOB No.: 15060

PLAN No.: 15060_A

DATE: 09/02/2015

DRAWN: J.V.

CHK: G.S.

LGA: LIVERPOOL

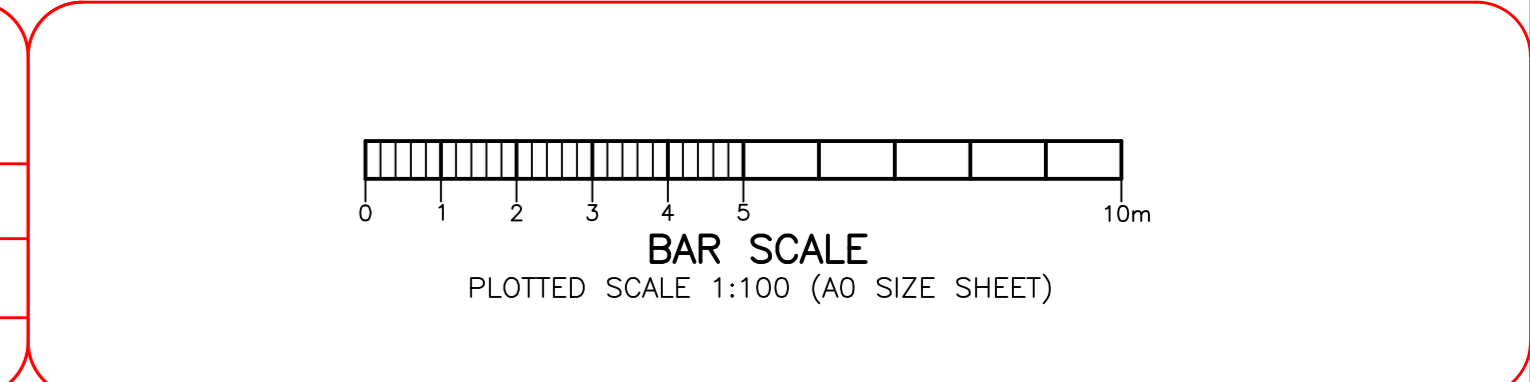
DATUM: AHD

SCALE: 1:1000@A0

CONT. INTERVAL: 0.5m

SHEET 1 OF 7

REVISION No.	REVISION DATE:	COMMENT:





LEGEND
 EB - EDGE OF BITUMEN
 TB - TOP OF BANK
 BB - BOTTOM OF BANK
 WT - TOP OF WINDOW
 WB - BOTTOM OF WINDOW
 EV - EAVES
 RR - ROOF RIDGE
 FL - FLOOR LEVEL
 TEL - TELSTRA PIT
 INV - INVERT LEVEL
 WM - WATER METER
 SV - STOP VALVE
 ELEC - ELECTRICAL PIT
 PP - POWER POLE
 BM - BENCHMARK
 Ø4510H16 - DIAMETER/SPREAD/HEIGHT

NOTE
 NO BOUNDARY SURVEY HAS BEEN UNDERTAKEN. BEARINGS, DIMENSIONS AND AREAS ARE FROM TITLE ONLY AND ARE SUBJECT TO CONFIRMATION BY BOUNDARY SURVEY.
 SERVICES SHOWN ARE INDICATIVE ONLY. POSITIONS ARE BASED ON SURFACE INDICATORS LOCATED DURING FIELD SURVEY. CONFIRMATION OF THE EXACT POSITION SHOULD BE MADE PRIOR TO ANY EXCAVATION WORK. OTHER SERVICES MAY EXIST WHICH ARE NOT SHOWN.
 LEVELS ARE BASED ON AUSTRALIAN HEIGHT DATUM (AHD) USING PM 20638 WITH RL 91.78 (AHD).
 RIDGE & GUTTER HEIGHTS HAVE BEEN OBTAINED BY INDIRECT METHOD AND ARE ACCURATE TO ± 0.05m.
 CONTOURS ARE AN INDICATION OF LANDFORM AND SHOULD NOT BE TAKEN IN PREFERENCE TO SPOT LEVELS SHOWN.
 CONTOUR INTERVAL 0.5m.

LEGEND

BENCHMARK	▲
TELSTRA PIT	TEL
ELECTRIC LIGHT POLE	LP
POWER POLE	PP
SIGN POST	SP
SEWER INSPECTION PIT	SIP
SEWER VENT	SEWER
MANHOLE	MH
SEWER MANHOLE	SMH
STOP VALVE	SV
WATER HYDRANT	HYD
WATER METER	WM
GAS METER	G
STATE SURVEY MARK	SSM

TOTAL SURVEYING SOLUTIONS
 SUITE 5 / 21 ELIZABETH STREET, CAMDEN NSW 2570
 Ph. (02) 4655 4035 Fax. (02) 46 55 7094 Email: tss@totalsurveying.com.au

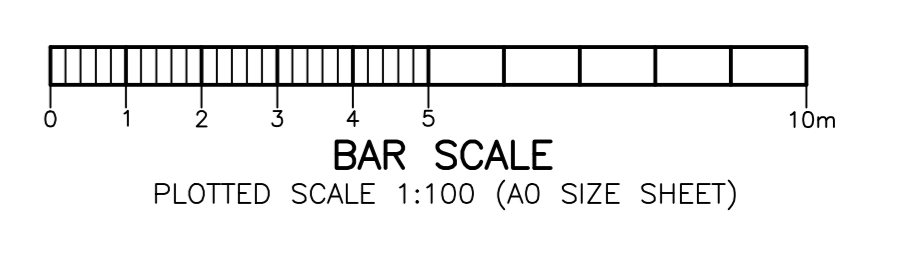
NOTE:
 INFORMATION CONTAINED IN THIS PLAN IS THE COPYRIGHT OF TOTAL SURVEYING SOLUTIONS. THE USE OR DUPLICATION WITHOUT THE WRITTEN CONSENT OF TOTAL SURVEYING SOLUTIONS CONSTITUTES AN

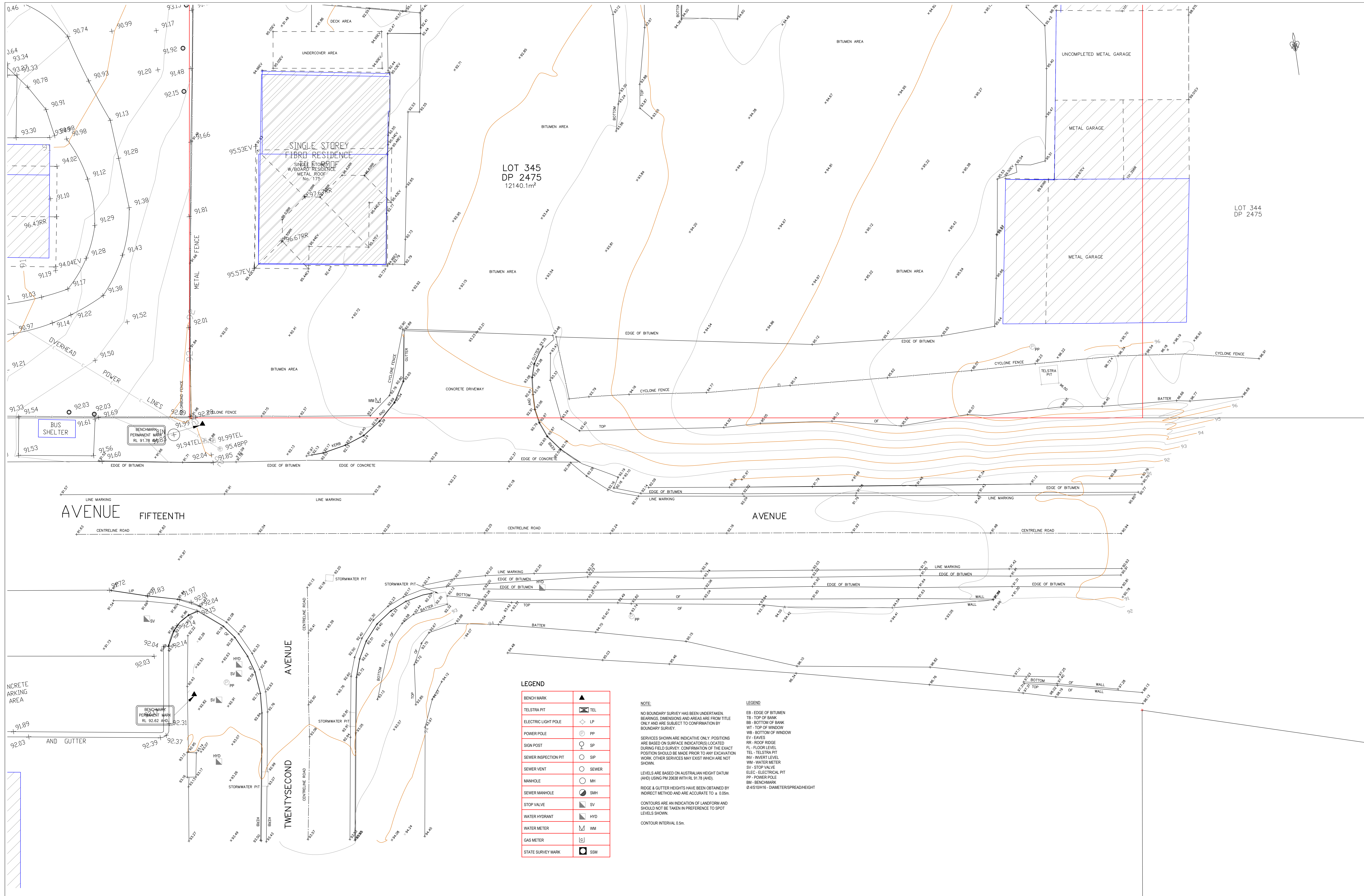
DRAWING: PLAN SHOWING DETAIL & LEVELS OVER LOT 307 & 345 IN DP 2475
CLIENT: PARKLANDS TRUSTS
PROJECT: DETAIL SURVEY
ADDRESS: 185 FIFTEENTH AVENUE, WEST HOXTON

JOB No.: 15060
PLAN No.: 15060_A
DATE: 09/02/2015
DRAWN: J.V.
CHK: G.S.

LGA: LIVERPOOL
DATUM: AHD
SCALE: 1:1000@A0
CONT. INTERVAL: 0.5m
SHEET 1 OF 7

REVISION No.
REVISION DATE:
COMMENT:





LEGEND

BENCH MARK	▲
TELSTRA PIT	⊕ TEL
ELECTRIC LIGHT POLE	⊕ LP
POWER POLE	⊕ PP
SIGN POST	⊕ SP
SEWER INSPECTION PIT	⊕ SIP
SEWERVENT	⊕ SEWER
MANHOLE	⊕ MH
SEWER MANHOLE	⊕ SMH
STOP VALVE	⊕ SV
WATER HYDRANT	⊕ HYD
WATER METER	⊕ WM
GAS METER	⊕ GM
STATE SURVEY MARK	⊕ SSM

NOTE:
 NO BOUNDARY SURVEY HAS BEEN UNDERTAKEN. BEARINGS, DIMENSIONS AND AREAS ARE FROM TITLE ONLY AND ARE SUBJECT TO CONFIRMATION BY BOUNDARY SURVEY.
 SERVICES SHOWN ARE INDICATIVE ONLY. POSITIONS ARE BASED ON SURFACE INDICATOR(S) LOCATED DURING FIELD SURVEY. CONFIRMATION OF THE EXACT POSITION SHOULD BE MADE PRIOR TO ANY EXCAVATION WORK. OTHER SERVICES MAY EXIST WHICH ARE NOT SHOWN.
 LEVELS ARE BASED ON AUSTRALIAN HEIGHT DATUM (AHD) USING PM 20638 WITH RL 91.78 (AHD).
 RIDGE & GUTTER HEIGHTS HAVE BEEN OBTAINED BY INDIRECT METHOD AND ARE ACCURATE TO ± 0.05m.
 CONTOURS ARE AN INDICATION OF LANDFORM AND SHOULD NOT BE TAKEN IN PREFERENCE TO SPOT LEVELS SHOWN.
 CONTOUR INTERVAL 0.5m.

LEGEND

EB - EDGE OF BITUMEN
TS - TOP OF BANK
BS - BOTTOM OF BANK
WT - TOP OF WINDOW
WB - BOTTOM OF WINDOW
EV - EAVES
RR - ROOF RIDGE
FL - FLOOR LEVEL
TEL - TELSTRA PIT
INV - INVERT LEVEL
WM - WATER METER
SV - STOP VALVE
ELEC - ELECTRICAL PIT
PP - POWER POLE
BM - BENCHMARK
0.45/10H16 - DIAMETERS/SPREADHEIGHT

TOTAL SURVEYING SOLUTIONS
 SUITE 5 / 21 ELIZABETH STREET, CAMDEN NSW 2570
 Ph. (02) 4655 4035 Fax. (02) 46 55 7094 Email: tss@totalsurveying.com.au

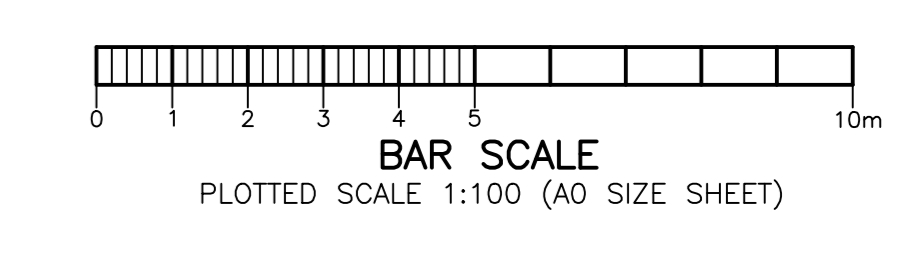
NOTE:
 INFORMATION CONTAINED IN THIS PLAN IS THE COPYRIGHT OF TOTAL SURVEYING SOLUTIONS. THE USE OR DUPLICATION WITHOUT THE WRITTEN CONSENT OF TOTAL SURVEYING SOLUTIONS CONSTITUTES AN

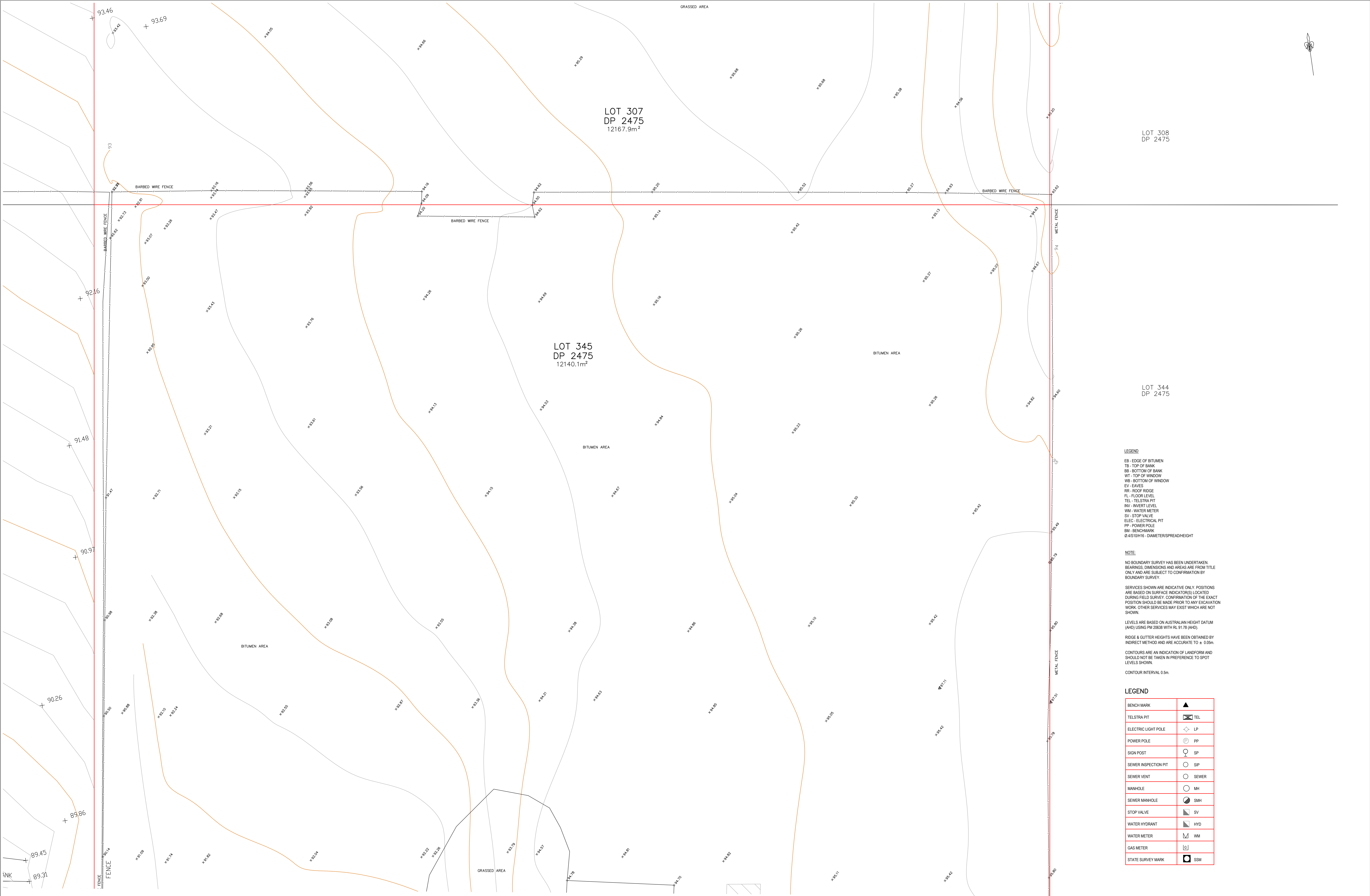
DRAWING: PLAN SHOWING DETAIL & LEVELS OVER LOT 307 & 345 IN DP 2475
CLIENT: PARKLANDS TRUSTS
PROJECT: DETAIL SURVEY
ADDRESS: 185 FIFTEENTH AVENUE, WEST HOXTON

JOB No.: 15060
PLAN No.: 15060_A
DATE: 09/02/2015
DRAWN: J.V.
CHK: G.S.

LGA: LIVERPOOL
DATUM: AHD
SCALE: 1:100@A0
CONT. INTERVAL: 0.5m
SHEET 2 OF 7

REVISION No.
REVISION DATE:
COMMENT:





LOT 308
DP 2475

LOT 307
DP 2475
12167.9m²

LOT 345
DP 2475
12140.1m²

LOT 344
DP 2475

LEGEND

- EB - EDGE OF BITUMEN
- TS - TOP OF BANK
- BB - BOTTOM OF BANK
- WT - TOP OF WINDOW
- WB - BOTTOM OF WINDOW
- EV - EAVES
- RR - ROOF RIDGE
- FL - FLOOR LEVEL
- TEL - TELSTRA PIT
- INW - INVERT LEVEL
- WM - WATER METER
- SV - STOP VALVE
- ELEC - ELECTRICAL PIT
- PP - POWER POLE
- BM - BENCHMARK
- Ø 45/10/16 - DIAMETER/SPREAD/HEIGHT

NOTE:

NO BOUNDARY SURVEY HAS BEEN UNDERTAKEN. BEARINGS, DIMENSIONS AND AREAS ARE FROM TITLE ONLY AND ARE SUBJECT TO CONFIRMATION BY BOUNDARY SURVEY.

SERVICES SHOWN ARE INDICATIVE ONLY. POSITIONS ARE BASED ON SURFACE INDICATOR(S) LOCATED DURING FIELD SURVEY. CONFIRMATION OF THE EXACT POSITION SHOULD BE MADE PRIOR TO ANY EXCAVATION WORK. OTHER SERVICES MAY EXIST WHICH ARE NOT SHOWN.

LEVELS ARE BASED ON AUSTRALIAN HEIGHT DATUM (AHD) USING PM 20638 WITH RL 91.78 (AHD).

RIDGE & GUTTER HEIGHTS HAVE BEEN OBTAINED BY INDIRECT METHOD AND ARE ACCURATE TO ± 0.05m.

CONTOURS ARE AN INDICATION OF LANDFORM AND SHOULD NOT BE TAKEN IN PREFERENCE TO SPOT LEVELS SHOWN.

CONTOUR INTERVAL 0.5m.

LEGEND

BENCH MARK	▲
TELSTRA PIT	TEL
ELECTRIC LIGHT POLE	LP
POWER POLE	PP
SIGN POST	SP
SEWER INSPECTION PIT	SIP
SEWER VENT	SEWER
MANHOLE	MH
SEWER MANHOLE	SMH
STOP VALVE	SV
WATER HYDRANT	HYD
WATER METER	WM
GAS METER	GM
STATE SURVEY MARK	SSM

TOTAL SURVEYING SOLUTIONS
SUITE 5 / 21 ELIZABETH STREET, CAMDEN NSW 2570
Ph. (02) 4655 4035 Fax. (02) 46 55 7094 Email: tss@totalsurveying.com.au

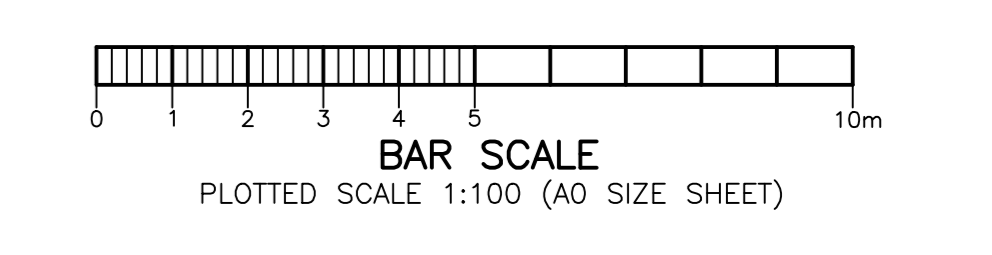
NOTE:
INFORMATION CONTAINED IN THIS PLAN IS THE COPYRIGHT OF TOTAL SURVEYING SOLUTIONS. THE USE OR DUPLICATION WITHOUT THE WRITTEN CONSENT OF TOTAL SURVEYING SOLUTIONS CONSTITUTES AN

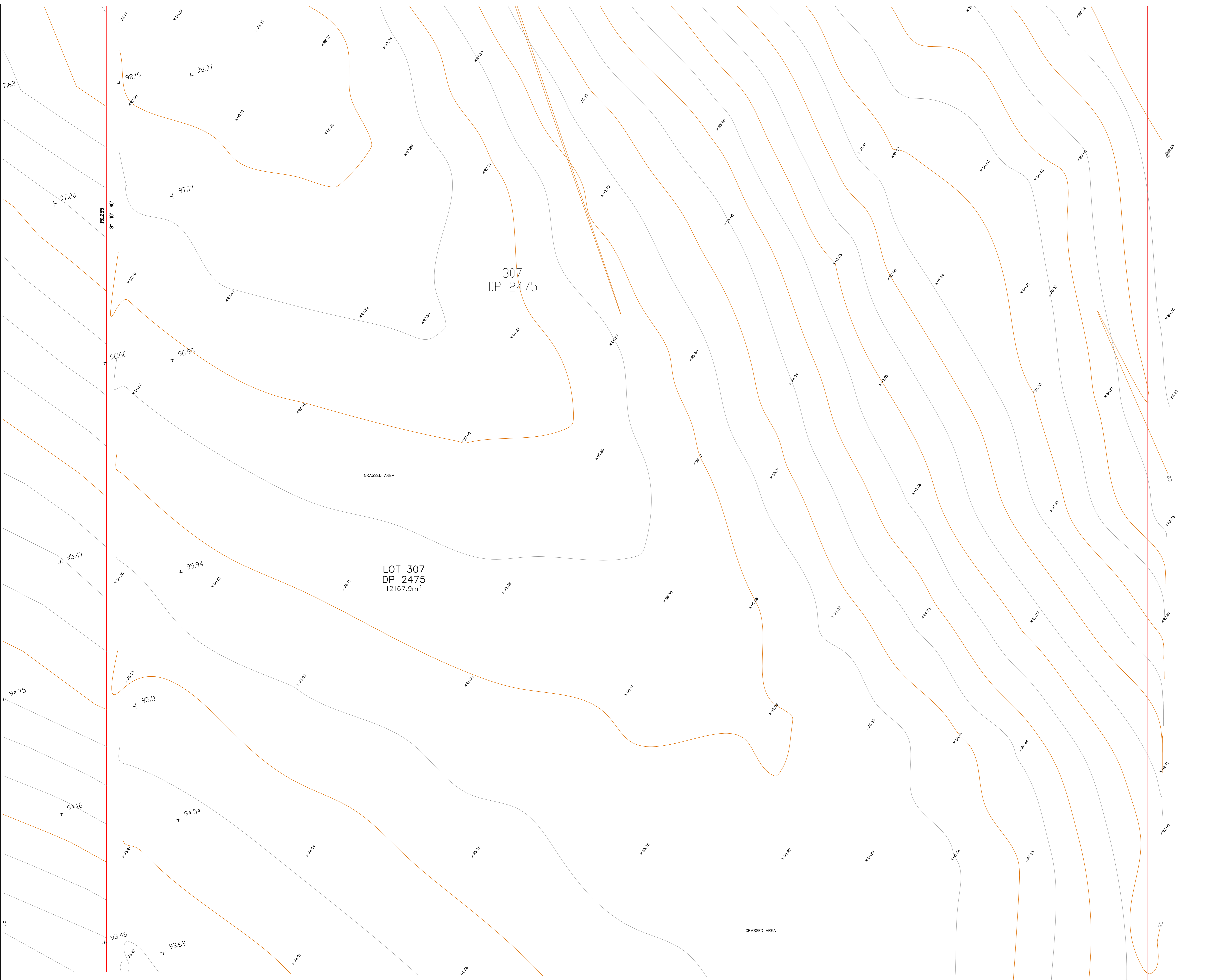
DRAWING: PLAN SHOWING DETAIL & LEVELS OVER LOT 307 & 345 IN DP 2475
CLIENT: PARKLANDS TRUSTS
PROJECT: DETAIL SURVEY
ADDRESS: 185 FIFTEENTH AVENUE, WEST HOXTON

JOB No.: 15060
PLAN No.: 15060_A
DATE: 09/02/2015
DRAWN: J.V.
CHK: G.S.

LGA: LIVERPOOL
DATUM: AHD
SCALE: 1:100@A0
CONT. INTERVAL: 0.5m
SHEET 4 OF 7

REVISION No.
REVISION DATE:
COMMENT:





LEGEND

EB - EDGE OF BITUMEN
 TB - TOP OF BANK
 BB - BOTTOM OF BANK
 WT - TOP OF WINDOW
 WB - BOTTOM OF WINDOW
 EV - EAVES
 RR - ROOF RIDGE
 FL - FLOOR LEVEL
 TEL - TELSTRA PIT
 INV - INVERT LEVEL
 WM - WATER METER
 SV - STOP VALVE
 ELEC - ELECTRICAL PIT
 PP - POWER POLE
 BM - BENCHMARK
 Ø4S10H16 - DIAMETER/SPREAD/HEIGHT

NOTE:

NO BOUNDARY SURVEY HAS BEEN UNDERTAKEN. BEARINGS, DIMENSIONS AND AREAS ARE FROM TITLE ONLY AND ARE SUBJECT TO CONFIRMATION BY BOUNDARY SURVEY.

SERVICES SHOWN ARE INDICATIVE ONLY. POSITIONS ARE BASED ON SURFACE INDICATORS LOCATED DURING FIELD SURVEY. CONFIRMATION OF THE EXACT POSITION SHOULD BE MADE PRIOR TO ANY EXCAVATION WORK. OTHER SERVICES MAY EXIST WHICH ARE NOT SHOWN.

LEVELS ARE BASED ON AUSTRALIAN HEIGHT DATUM (AHD) USING PM 20638 WITH RL 91.78 (AHD).

RIDGE & GUTTER HEIGHTS HAVE BEEN OBTAINED BY INDIRECT METHOD AND ARE ACCURATE TO ± 0.05m.

CONTOURS ARE AN INDICATION OF LANDFORM AND SHOULD NOT BE TAKEN IN PREFERENCE TO SPOT LEVELS SHOWN.

CONTOUR INTERVAL 0.5m.

LOT 308
 DP 2475

LEGEND

BENCHMARK	▲
TELSTRA PIT	TEL
ELECTRIC LIGHT POLE	LP
POWER POLE	PP
SIGN POST	SP
SEWER INSPECTION PIT	SIP
SEWER VENT	SEWER
MANHOLE	MH
SEWER MANHOLE	SMH
STOP VALVE	SV
WATER HYDRANT	HYD
WATER METER	WM
GAS METER	G
STATE SURVEY MARK	SSM

TOTAL SURVEYING SOLUTIONS
 SUITE 5 / 21 ELIZABETH STREET, CAMDEN NSW 2570
 Ph. (02) 4655 4035 Fax. (02) 46 55 7094 Email: tss@totalsurveying.com.au

NOTE:
 INFORMATION CONTAINED IN THIS PLAN IS THE COPYRIGHT OF TOTAL SURVEYING SOLUTIONS. THE USE OR DUPLICATION WITHOUT THE WRITTEN CONSENT OF TOTAL SURVEYING SOLUTIONS CONSTITUTES AN

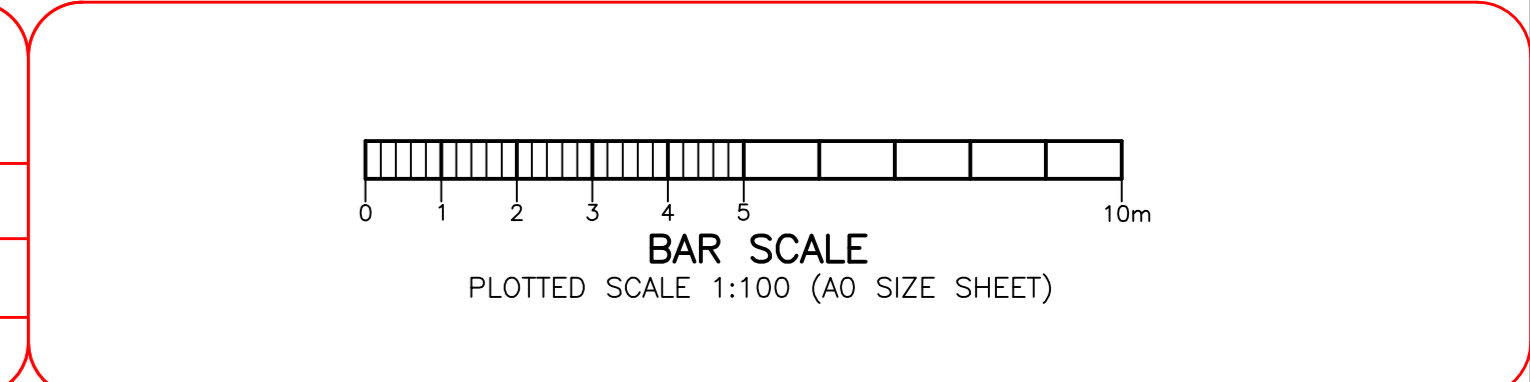
DRAWING: PLAN SHOWING DETAIL & LEVELS OVER LOT 307 & 345 IN DP 2475

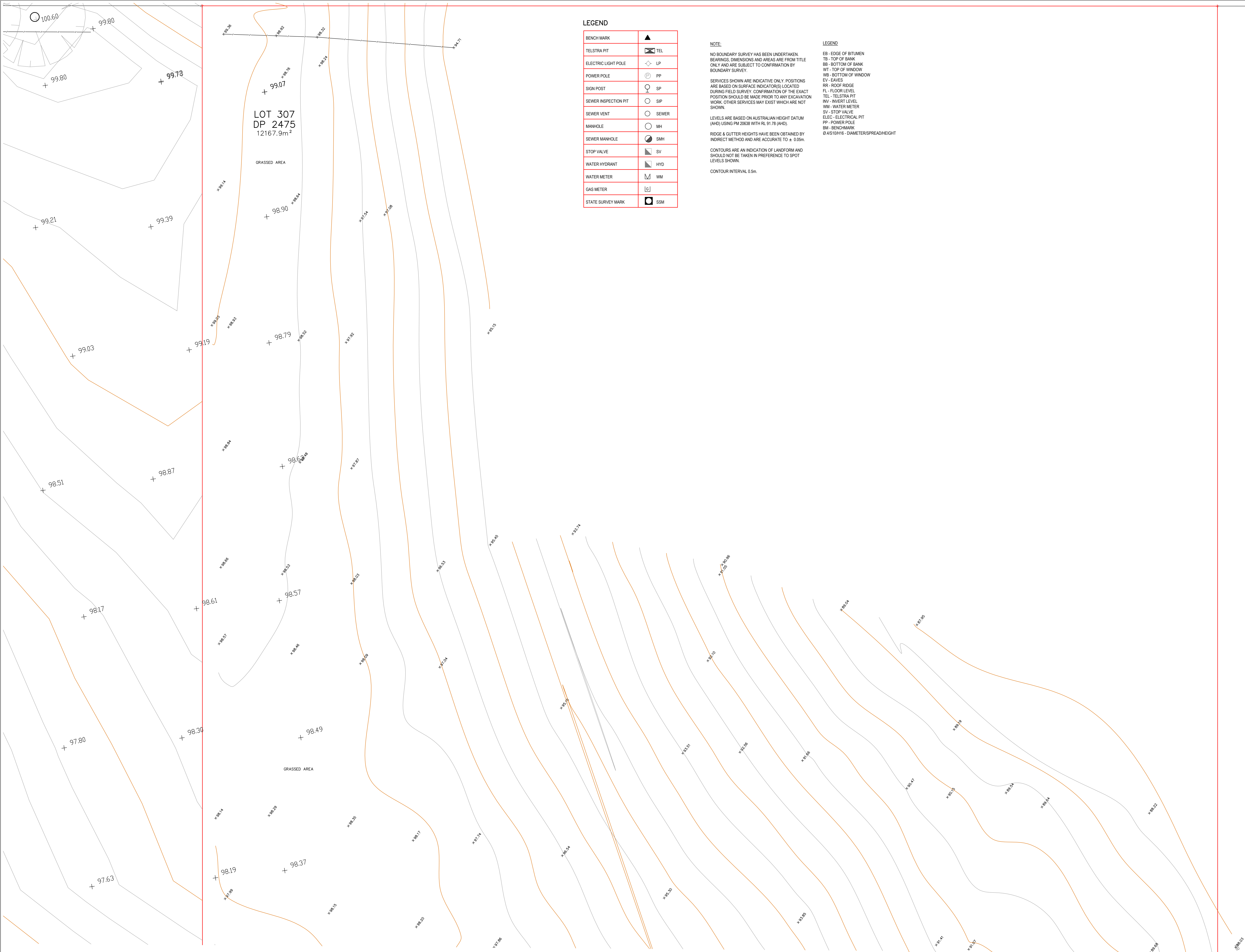
CLIENT: PARKLANDS TRUSTS
 PROJECT: DETAIL SURVEY
 ADDRESS: 185 FIFTEENTH AVENUE, WEST HOXTON

JOB No.: 15060
 PLAN No.: 15060_A
 DATE: 09/02/2015
 DRAWN: J.V.
 CHK: G.S.

LGA: LIVERPOOL
 DATUM: AHD
 SCALE: 1:100@A0
 CONT. INTERVAL: 0.5m
 SHEET 5 OF 7

REVISION No. REVISION DATE: COMMENT:





LOT 308
DP 2475

LEGEND

BENCHMARK	▲
TELSTRA PIT	TEL
ELECTRIC LIGHT POLE	LP
POWER POLE	PP
SIGN POST	SP
SEWER INSPECTION PIT	SIP
SEWER VENT	SEWER
MANHOLE	MH
SEWER MANHOLE	SMH
STOP VALVE	SV
WATER HYDRANT	HYD
WATER METER	WM
GAS METER	G
STATE SURVEY MARK	SSM

NOTE:

NO BOUNDARY SURVEY HAS BEEN UNDERTAKEN. BEARINGS, DIMENSIONS AND AREAS ARE FROM TITLE ONLY AND ARE SUBJECT TO CONFIRMATION BY BOUNDARY SURVEY.

SERVICES SHOWN ARE INDICATIVE ONLY. POSITIONS ARE BASED ON SURFACE INDICATORS LOCATED DURING FIELD SURVEY. CONFIRMATION OF THE EXACT POSITION SHOULD BE MADE PRIOR TO ANY EXCAVATION WORK. OTHER SERVICES MAY EXIST WHICH ARE NOT SHOWN.

LEVELS ARE BASED ON AUSTRALIAN HEIGHT DATUM (AHD) USING PM 2008 WITH RL 91.78 (AHD).

RIDGE & GUTTER HEIGHTS HAVE BEEN OBTAINED BY INDIRECT METHOD AND ARE ACCURATE TO ± 0.05m.

CONTOURS ARE AN INDICATION OF LANDFORM AND SHOULD NOT BE TAKEN IN PREFERENCE TO SPOT LEVELS SHOWN.

CONTOUR INTERVAL 0.5m.

LEGEND

EB - EDGE OF BITUMEN
TB - TOP OF BANK
BB - BOTTOM OF BANK
WT - TOP OF WINDOW
WB - BOTTOM OF WINDOW
EV - EAVES
RR - ROOF RIDGE
FL - FLOOR LEVEL
TEL - TELSTRA PIT
INV - INVERT LEVEL
WM - WATER METER
SV - STOP VALVE
EIEP - ELECTRICAL PIT
PP - POWER POLE
BM - BENCHMARK
Ø x S/D/H - DIAMETER/SPREAD/HEIGHT

TOTAL SURVEYING SOLUTIONS
SUITE 5 / 21 ELIZABETH STREET, CAMDEN NSW 2570
Ph. (02) 4655 4035 Fax. (02) 46 55 7094 Email: tss@totalsurveying.com.au

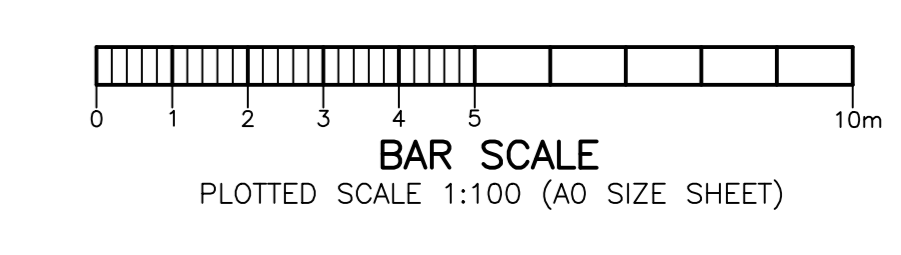
NOTE:
INFORMATION CONTAINED IN THIS PLAN IS THE COPYRIGHT OF TOTAL SURVEYING SOLUTIONS. THE USE OR DUPLICATION WITHOUT THE WRITTEN CONSENT OF TOTAL SURVEYING SOLUTIONS CONSTITUTES AN

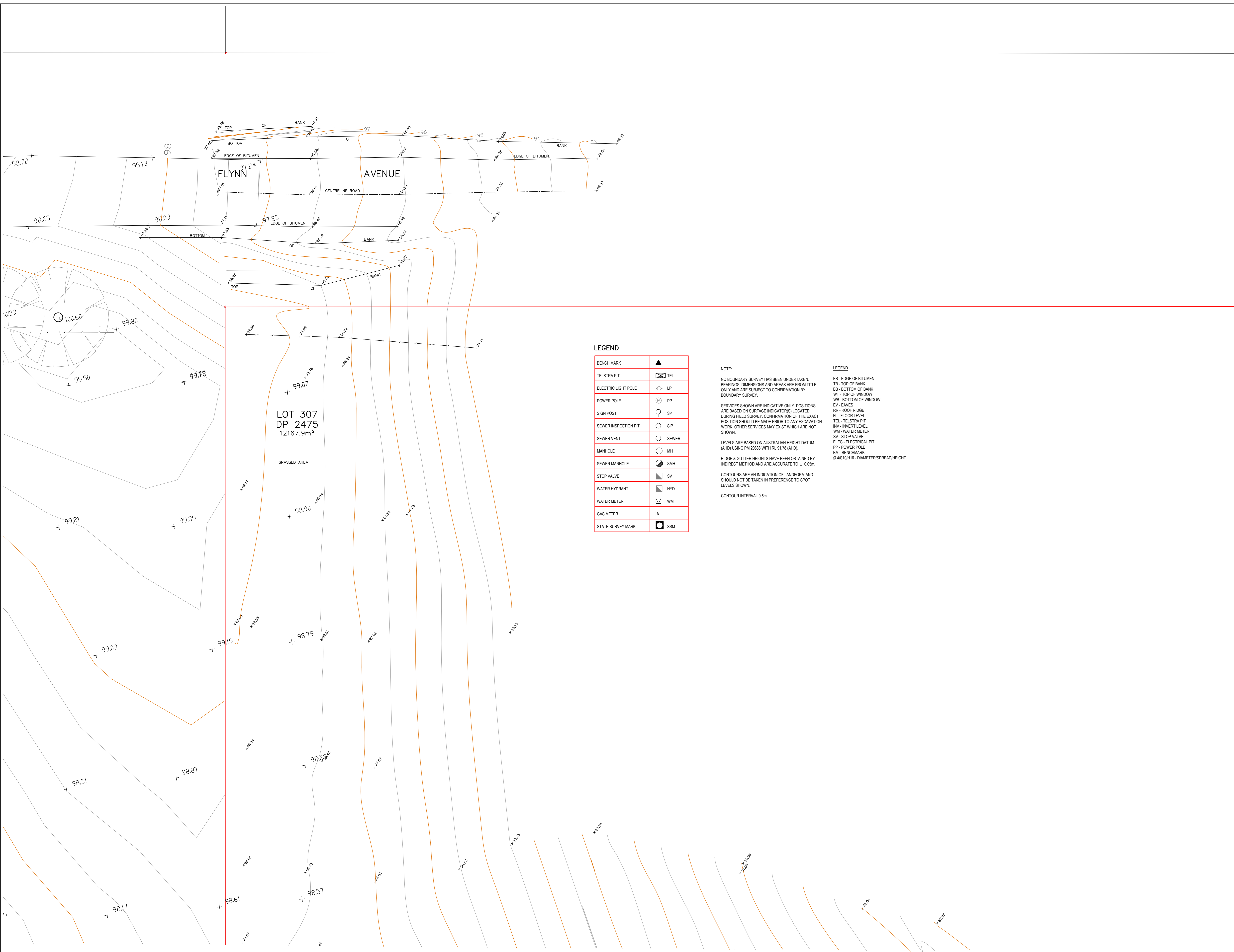
DRAWING: PLAN SHOWING DETAIL & LEVELS OVER LOT 307 & 345 IN DP 2475
CLIENT: PARKLANDS TRUSTS
PROJECT: DETAIL SURVEY
ADDRESS: 185 FIFTEENTH AVENUE, WEST HOXTON

JOB No.: 15060
PLAN No.: 15060_A
DATE: 09/02/2015
DRAWN: J.V.
CHK: G.S.

LGA: LIVERPOOL
DATUM: AHD
SCALE: 1:100@A0
CONT. INTERVAL: 0.5m
SHEET 6 OF 7

REVISION No.
REVISION DATE:
COMMENT:





LOT 308
DP 2475

LEGEND

BENCH MARK	▲
TELSTRA PIT	TEL
ELECTRIC LIGHT POLE	LP
POWER POLE	PP
SIGN POST	SP
SEWER INSPECTION PIT	SIP
SEWER VENT	SEWER
MANHOLE	MH
SEWER MANHOLE	SMH
STOP VALVE	SV
WATER HYDRANT	HYD
WATER METER	WM
GAS METER	GM
STATE SURVEY MARK	SSM

NOTE:

NO BOUNDARY SURVEY HAS BEEN UNDERTAKEN. BEARINGS, DIMENSIONS AND AREAS ARE FROM TITLE ONLY AND ARE SUBJECT TO CONFIRMATION BY BOUNDARY SURVEY.

SERVICES SHOWN ARE INDICATIVE ONLY. POSITIONS ARE BASED ON SURFACE INDICATOR(S) LOCATED DURING FIELD SURVEY. CONFIRMATION OF THE EXACT POSITION SHOULD BE MADE PRIOR TO ANY EXCAVATION WORK. OTHER SERVICES MAY EXIST WHICH ARE NOT SHOWN.

LEVELS ARE BASED ON AUSTRALIAN HEIGHT DATUM (AHD) USING PM 2058 WITH RL 91.78 (AHD).

RIDGE & GUTTER HEIGHTS HAVE BEEN OBTAINED BY INDIRECT METHOD AND ARE ACCURATE TO ± 0.05m.

CONTOURS ARE AN INDICATION OF LANDFORM AND SHOULD NOT BE TAKEN IN PREFERENCE TO SPOT LEVELS SHOWN.

CONTOUR INTERVAL 0.5m.

LEGEND

EB - EDGE OF BITUMEN
TB - TOP OF BANK
BB - BOTTOM OF BANK
WT - TOP OF WINDOW
WB - BOTTOM OF WINDOW
EV - EAVES
RR - ROOF RIDGE
FL - FLOOR LEVEL
TEL - TELSTRA PIT
INV - INVERT LEVEL
WM - WATER METER
SV - STOP VALVE
ELEC - ELECTRICAL PIT
PP - POWER POLE
BM - BENCHMARK
Ø 45/10/16 - DIAMETER/SPREAD/HEIGHT

TOTAL SURVEYING SOLUTIONS
SUITE 5 / 21 ELIZABETH STREET, CAMDEN NSW 2570
Ph. (02) 4655 4035 Fax. (02) 46 55 7094 Email: tss@totalsurveying.com.au

NOTE:
INFORMATION CONTAINED IN THIS PLAN IS THE COPYRIGHT OF TOTAL SURVEYING SOLUTIONS. THE USE OR DUPLICATION WITHOUT THE WRITTEN CONSENT OF TOTAL SURVEYING SOLUTIONS CONSTITUTES AN

DRAWING: PLAN SHOWING DETAIL & LEVELS OVER LOT 307 & 345 IN DP 2475
CLIENT: PARKLANDS TRUSTS
PROJECT: DETAIL SURVEY
ADDRESS: 185 FIFTEENTH AVENUE, WEST HOXTON

JOB No.: 15060
PLAN No.: 15060_A
DATE: 09/02/2015
DRAWN: J.V.
CHK: G.S.

LGA: LIVERPOOL
DATUM: AHD
SCALE: 1:100@A0
CONT. INTERVAL: 0.5m
SHEET 7 OF 7

REVISION No.
REVISION DATE:
COMMENT:

