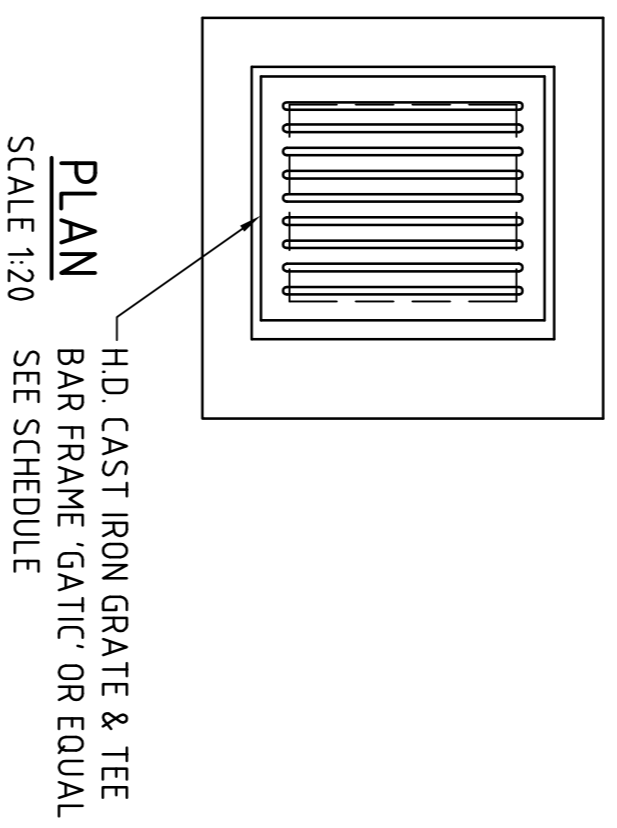
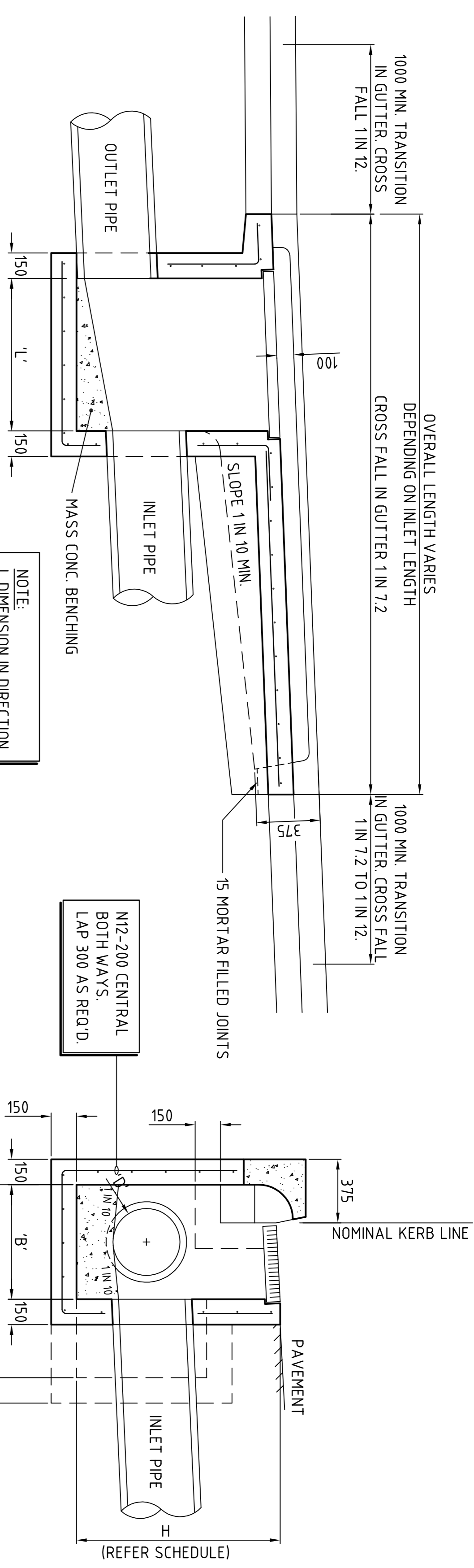


PLAN
SCALE 1:20



PLAN
SCALE 1:20



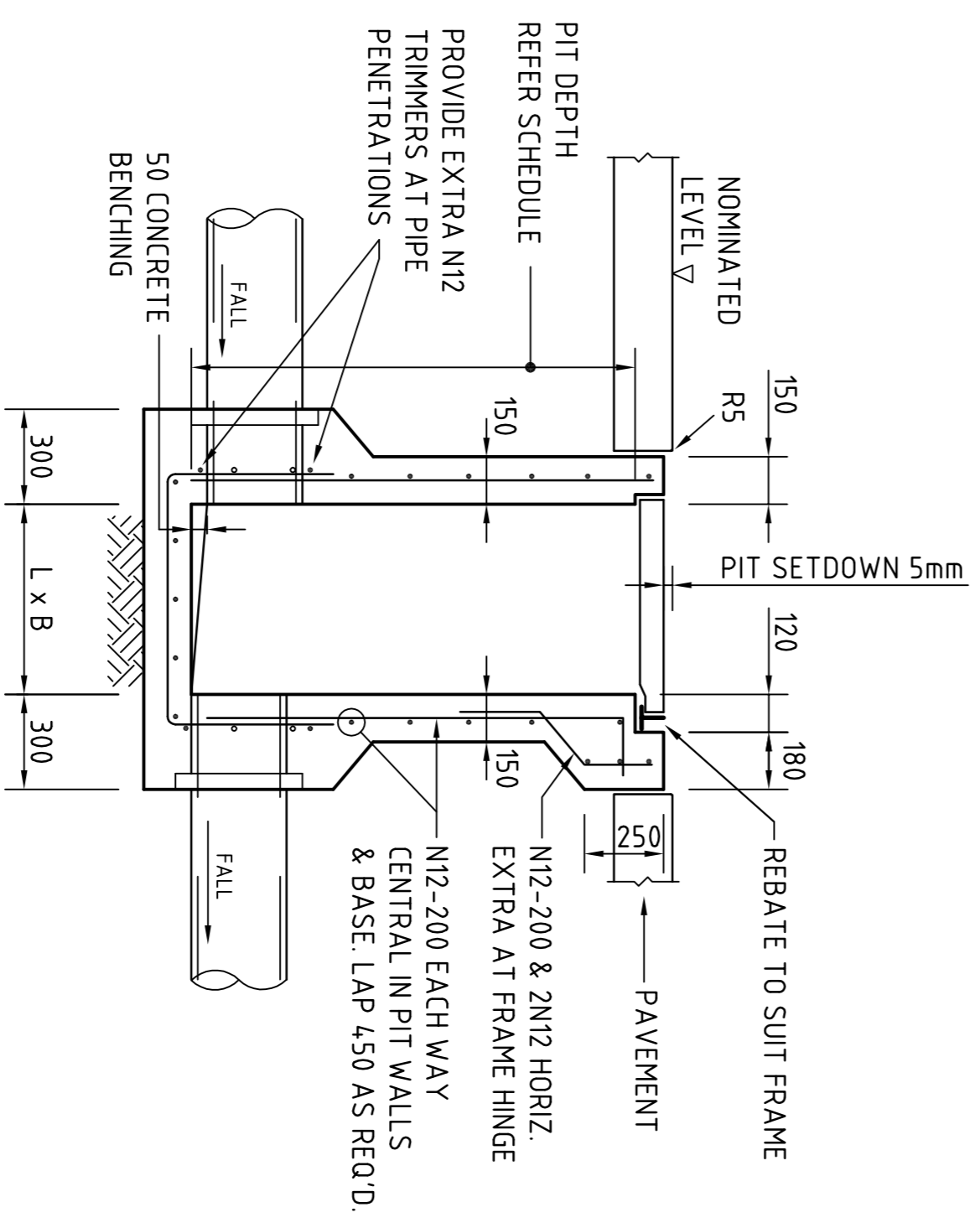
LONG SECTION
SCALE 1:20

CROSS SECTION
SCALE 1:20

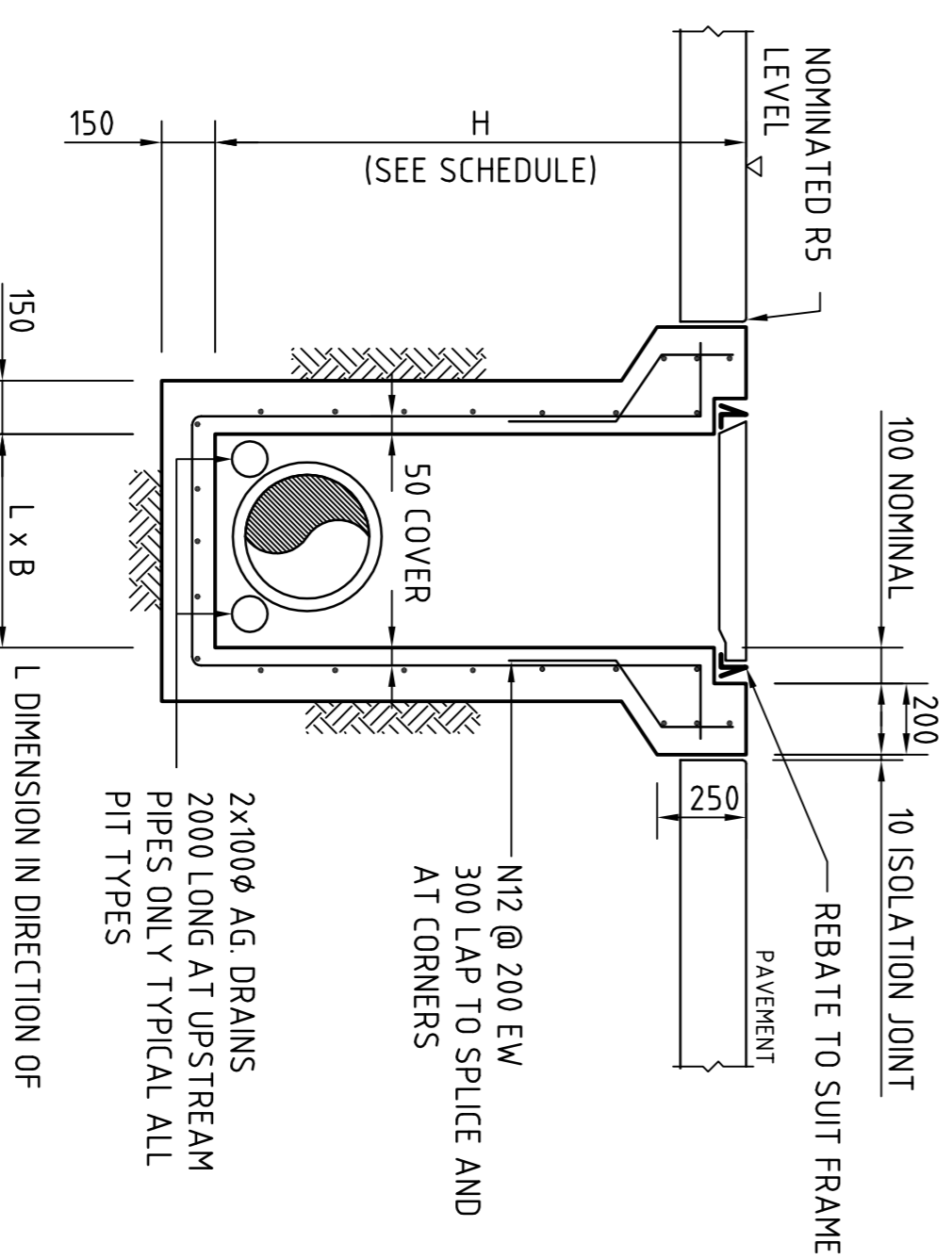
CONCRETE QUALITY				
ELEMENT	SUMP	AGGREGATE	CEMENT	ADMIXTURE
PIT	80	20	GP	Nil
				Fc (MPa)
				32

NOTES:

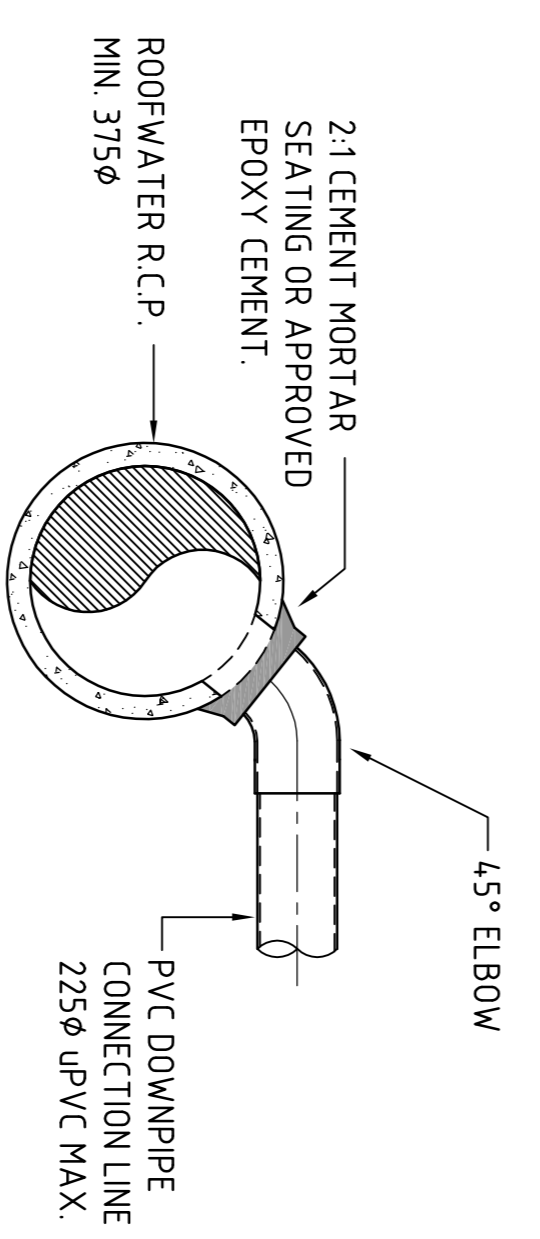
- WHERE GULLY PIT IS LOCATED ON KERB RETURNS OR BULB OF CURVE - SACS PROVIDE CURVED PRECAST CONCRETE LINTELS.
- SAG PITS SHALL HAVE LINTEL PLACED CENTRALLY ABOUT THE GRATE.
- ALL REINFORCING TO HAVE 30 MIN. CLEAR CONCRETE COVER.
- FOR PITS DEEPER THAN 1200mm CLIMB RAILS SHALL BE PROVIDED.



SECTION
SCALE 1:20

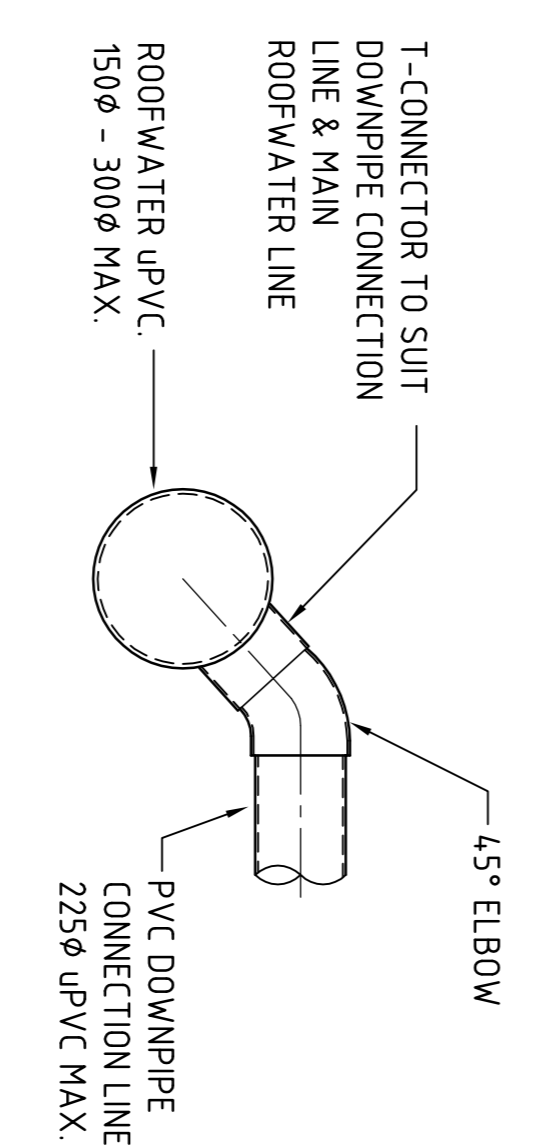


SECTION
SCALE 1:20



DOWN PIPE CONNECTION TO R.C.P. PIPE

- THE R.C. STORMWATER PIPE SHALL BE PIERCED BY A NEAT OPENING TO ALLOW THE CONNECTION OF A PVC PIPE.
- THE EXPOSED R.C. PIPE REINFORCEMENT IS TO BE BENT OUTWARDS TO RETAIN THE MORTARIED JOINT.
- THE PVC PIPE SHALL NOT PROTRUDE BEYOND THE INNER SURFACE OF THE R.C. STORMWATER PIPE.
- THE INTERNAL JUNCTION SHALL BE SMOOTHLY FINISHED SO AS TO PRESENT NO OBSTRUCTION WITHIN THE INTERNAL CHANNEL OF THE R.C. STORMWATER PIPE.
- PROPRIETARY SADDLES MAY BE USED FOR THE CONNECTION SEATING. THE CONTRACTOR IS TO PROVIDE DETAILS OF THE PROPOSED CONNECTION TO THE ENGINEER FOR APPROVAL.



DOWN PIPE CONNECTION TO UPVC PIPE

- PROPRIETARY T-PIECE CONNECTORS SHALL BE USED TO WHERE DIRECT CONNECTIONS ARE REQUIRED TO UPVC PIPES.
- ALL JOINTS TO BE SEALED WITH SOLVENT WELDED JOINTS.
- THE PVC PIPE SHALL NOT PROTRUDE BEYOND THE INNER SURFACE OF THE STORMWATER PIPE.

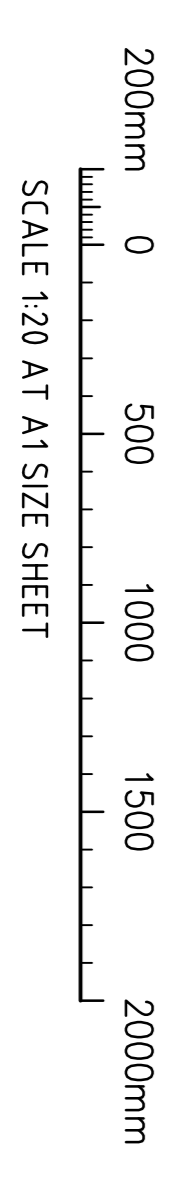
SINGLE GRATED GULLY PIT - SGGP

SEE SCHEDULE
L DIMENSION IN DIRECTION OF DOWNSTEAM PIPE

SEALED PIT - SJP

DOWNPIPE CONNECTION DETAILS

SCALE 1:20



FOR DEVELOPMENT APPLICATION

ISSUED FOR DEVELOPMENT APPLICATION	30/07/13	C
ISSUED FOR CLIENT REVIEW	22/07/13	B
ISSUED FOR CLIENT REVIEW	17/07/13	A
AMENDMENTS	DATE	ISSUE

CLIENT: **CIP** Building Success

PROJECT: **FOOD PROCESSING & PACKAGING FACILITY**
PART LOT 2304, TEMPELAR ROAD
ERSKING PARK, NSW

DESIGNED (P/AMM) DATE 06/2013
CHECKED (AT) AS SHOWN
SCALE 1:20
CONTRACT NO. C010047.03-DA45

Costin Roe Consulting Pty Ltd.
Level 1, 8 Hindmarsh Street
Melbourne VIC 3000 Australia
Tel: (03) 9593 7900 Fax: (03) 9244-3781
email: mail@costinroe.com.au

DRAWING TITLE: **STORMWATER DRAINAGE DETAILS SHEET 1**

DRAWING NO: **C010047.03-DA45**

Value in Engineering and Management