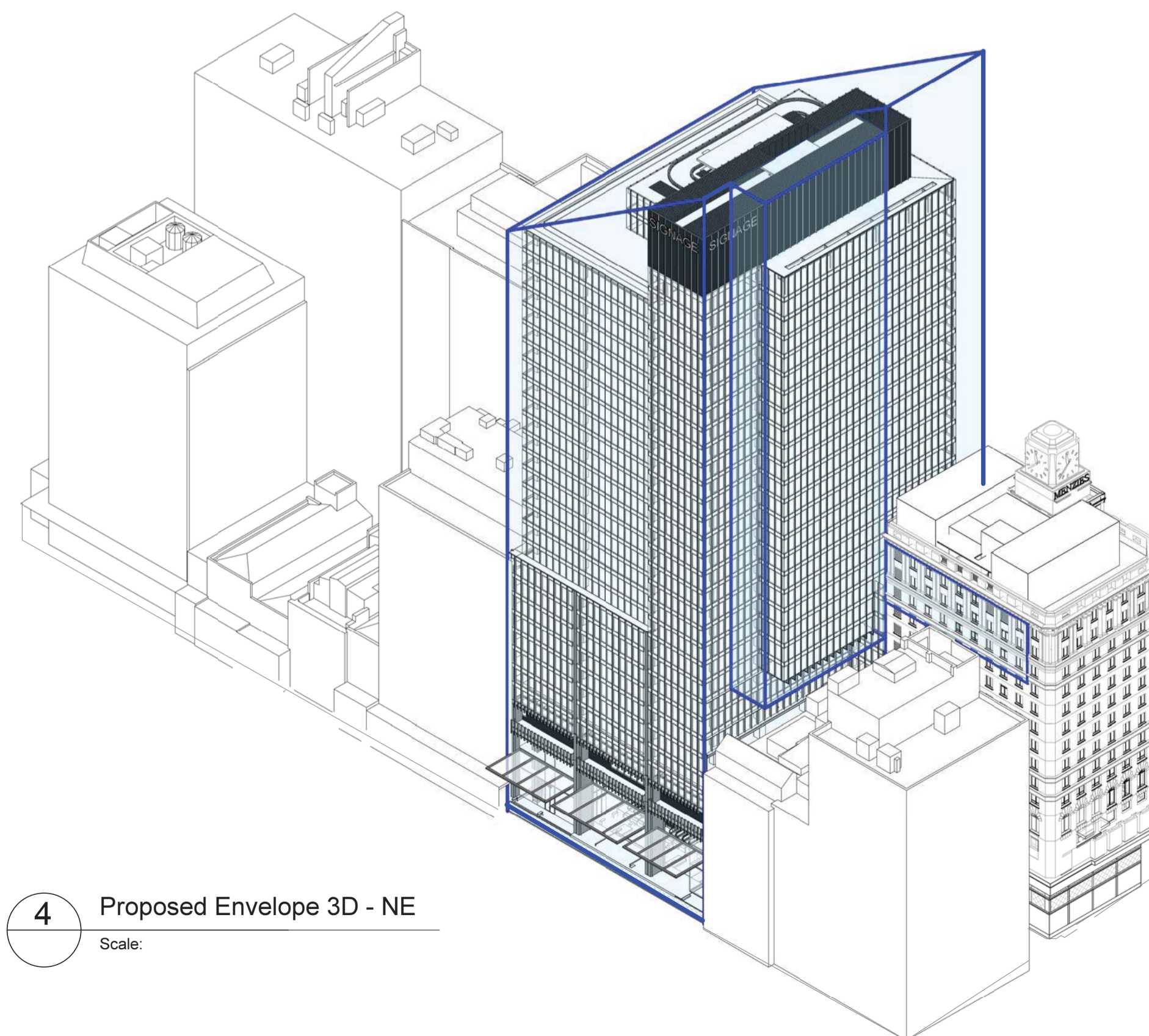
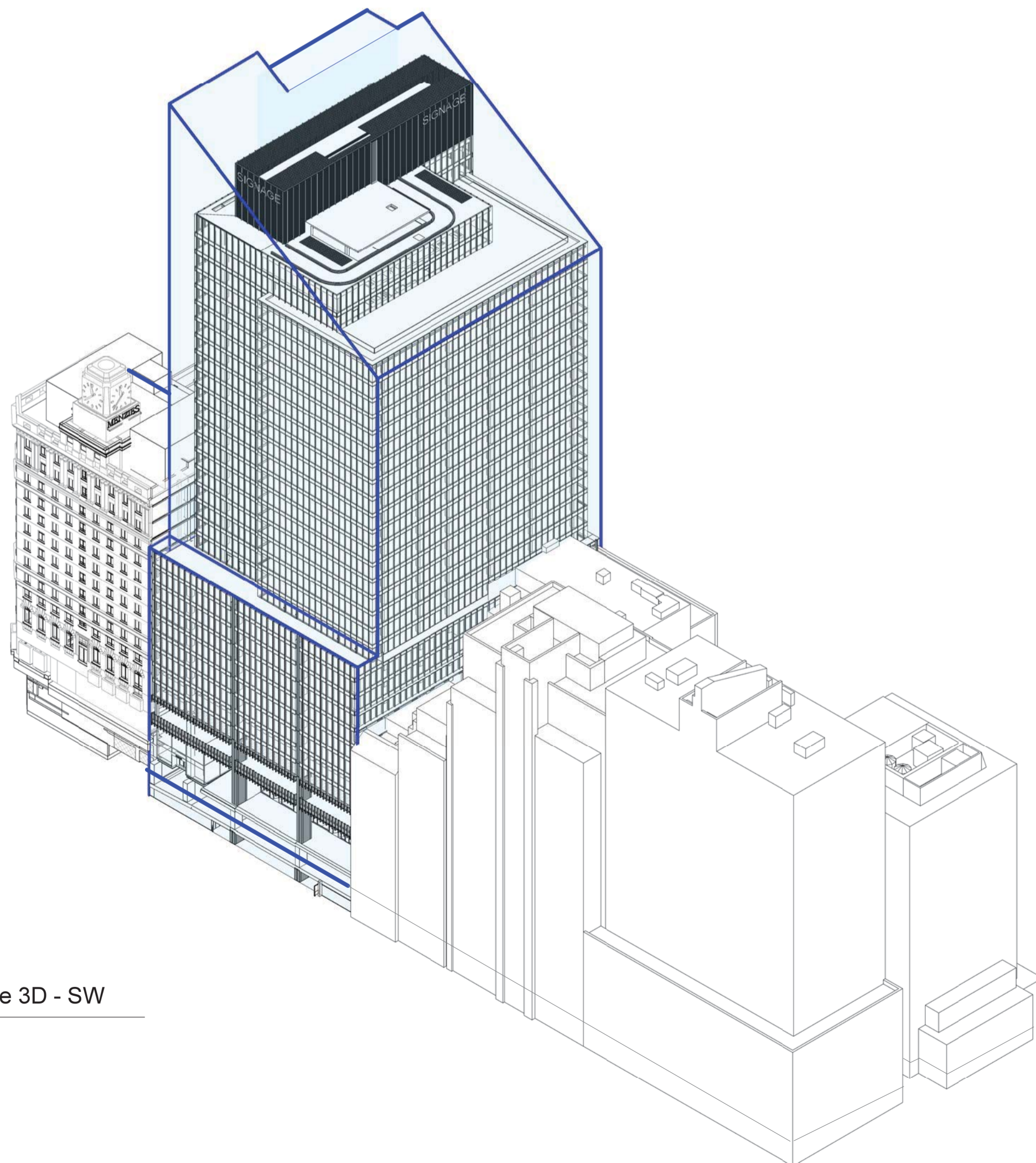
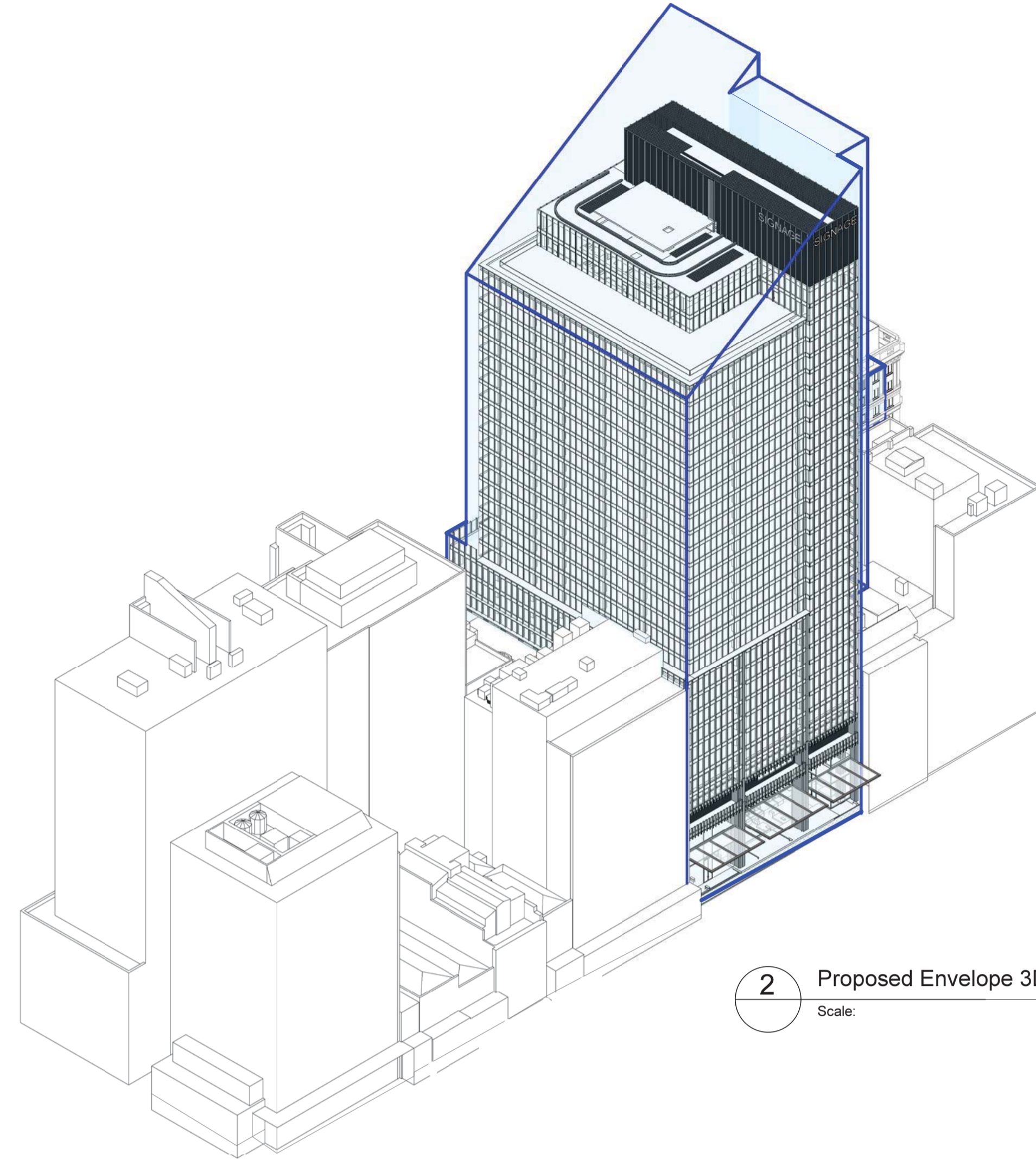
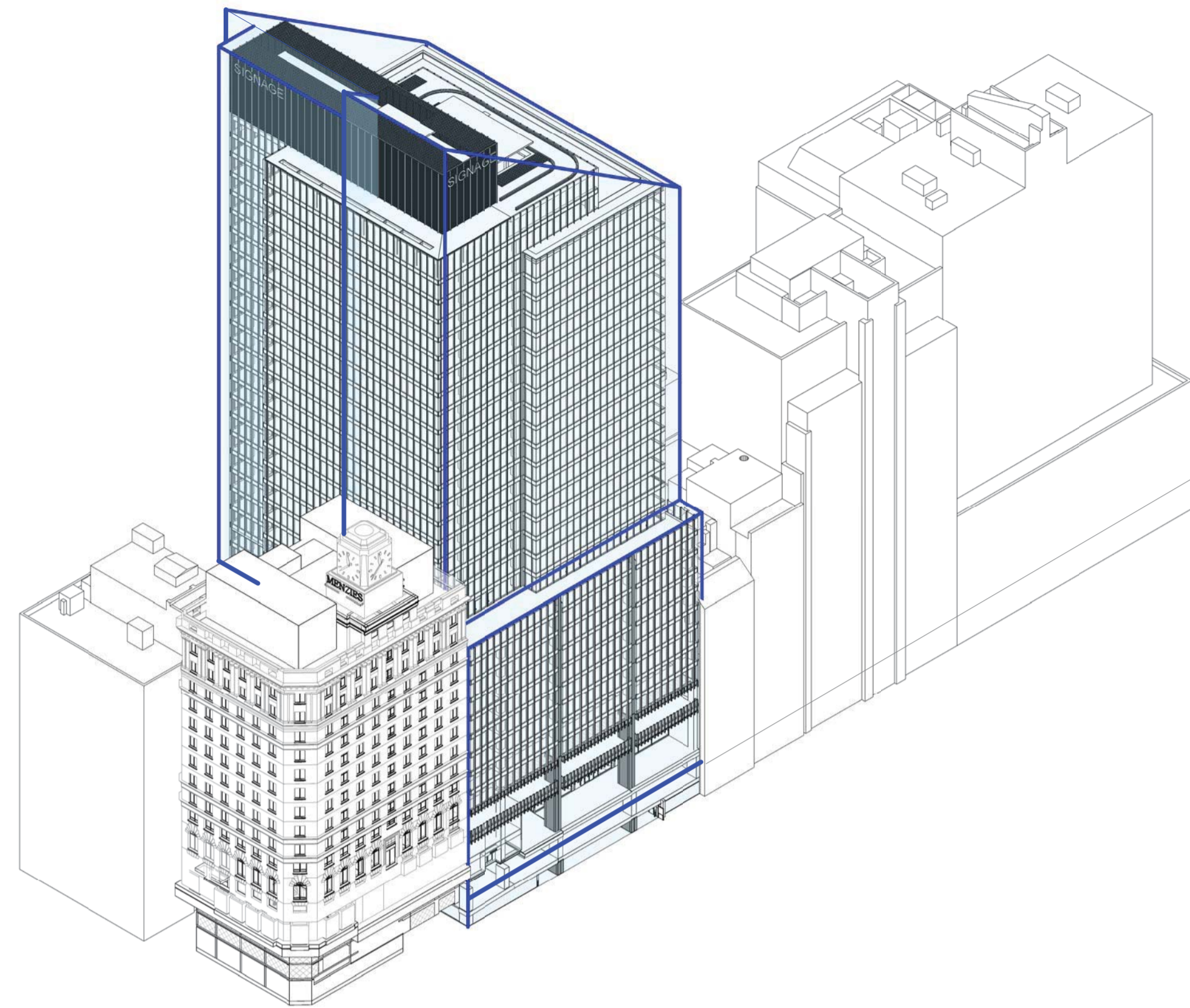


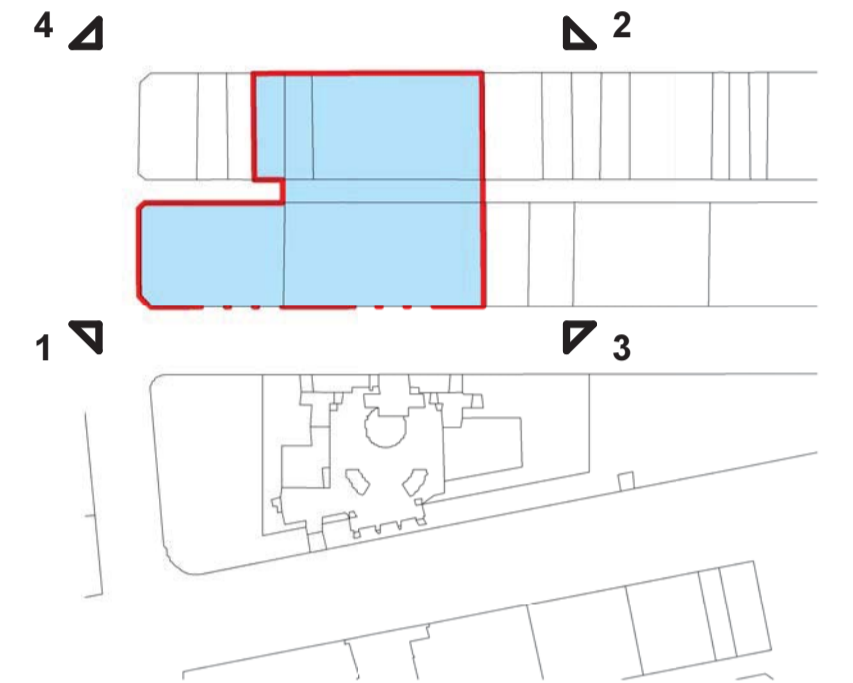
Architectus Sydney Pty Ltd is the owner of the copyright subsisting in these drawings, plans, designs and specifications. They must not be used, reproduced or copied, in whole or in part, nor may the information, ideas and concepts therein be disclosed (which are confidential to Architectus Sydney Pty Ltd) to any person without the prior written consent of that company.

Do not scale drawings. Verify all dimensions on site. Dimensions in millimetres unless otherwise stated. Levels are in metres above Australian Height Datum unless otherwise stated. All discrepancies to be notified in writing to Make+Architectus.



LEGEND:

CONCEPT APPROVED ENVELOPE



1 Proposed Envelope 3D - NW  
Scale:

2 Proposed Envelope 3D - SE  
Scale:

3 Proposed Envelope 3D - SW  
Scale:

4 Proposed Envelope 3D - NE  
Scale:

issue	reason for issue	date	checked
Rev 00	Development Application Submission	17.03.2014	MC
Rev 01	Issued for TNSW Landowners Consent	28.08.2015	RO
Rev 02	S96 Issue	25.09.2015	RO

**Brookfield**

Sovereign Wynnard Centre Pty Limited or its nominee  
Level 22, 135 King Street  
Sydney  
NSW 2000  
T +612 9322 82

**make + architectus™**

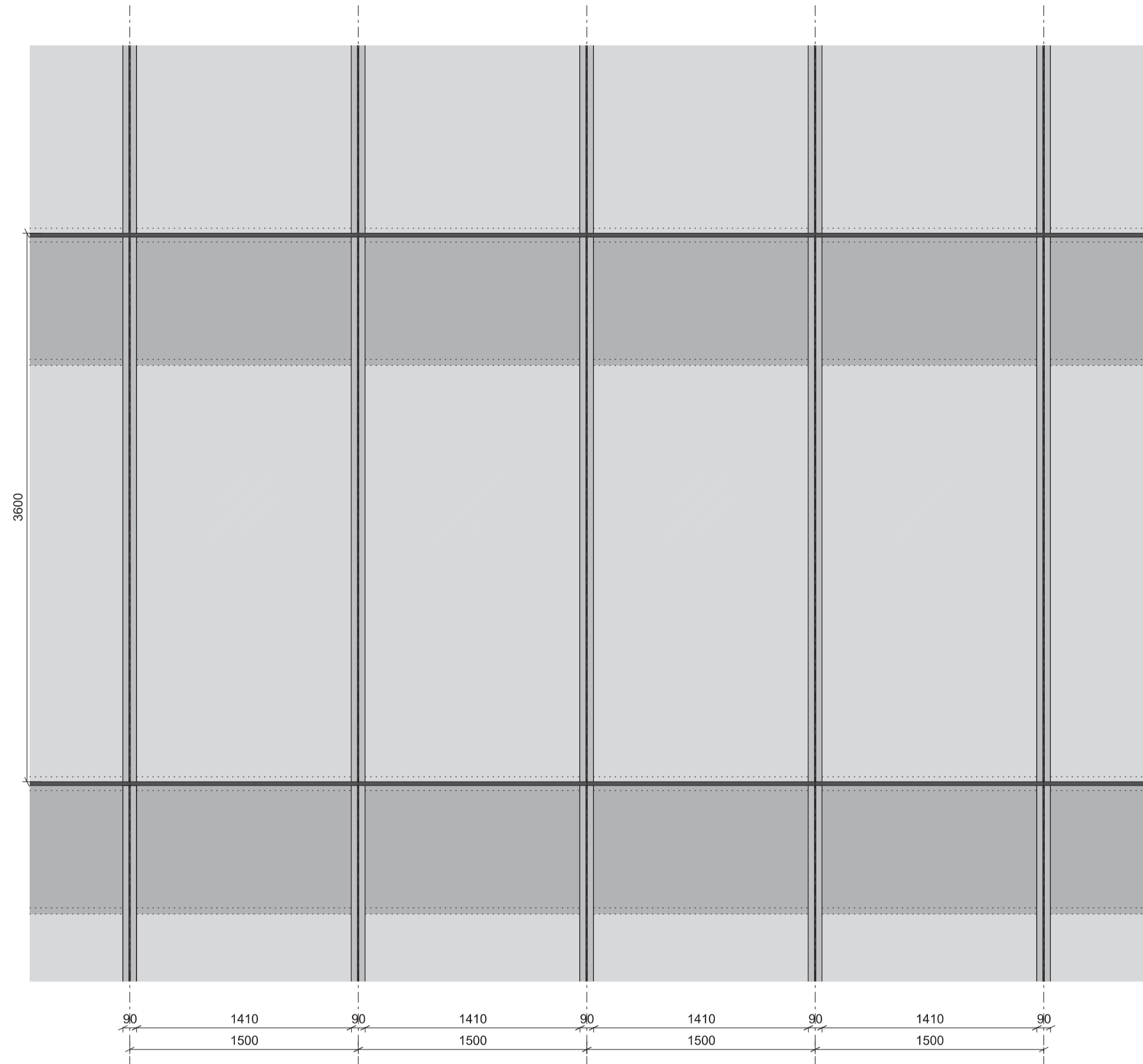
Make London  
32 Cleveland Street  
London  
W1T 4JY  
T +44 (0)20 7636 6151  
info@makearchitects.com  
www.makearchitects.com

Architectus Sydney  
Level 18 MLC Centre  
19 Martin Place  
Sydney NSW 2000  
T (61 2) 8252 8400  
F (61 2) 8252 8600  
sydney@architectus.com.au  
ABN 11 098 489 448

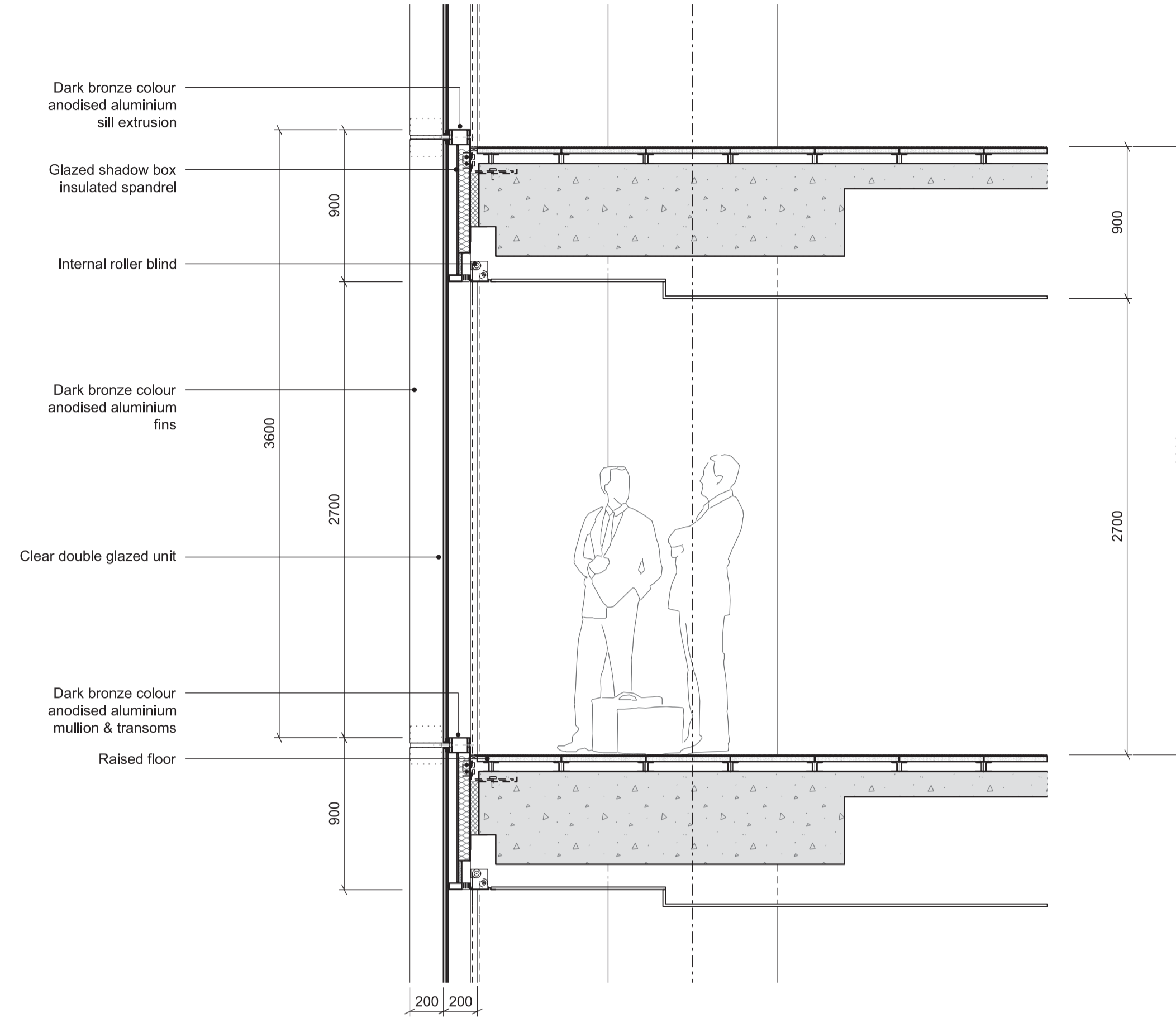
project **One Carrington**

drawing  
**Concept Plan Envelope Compliance**

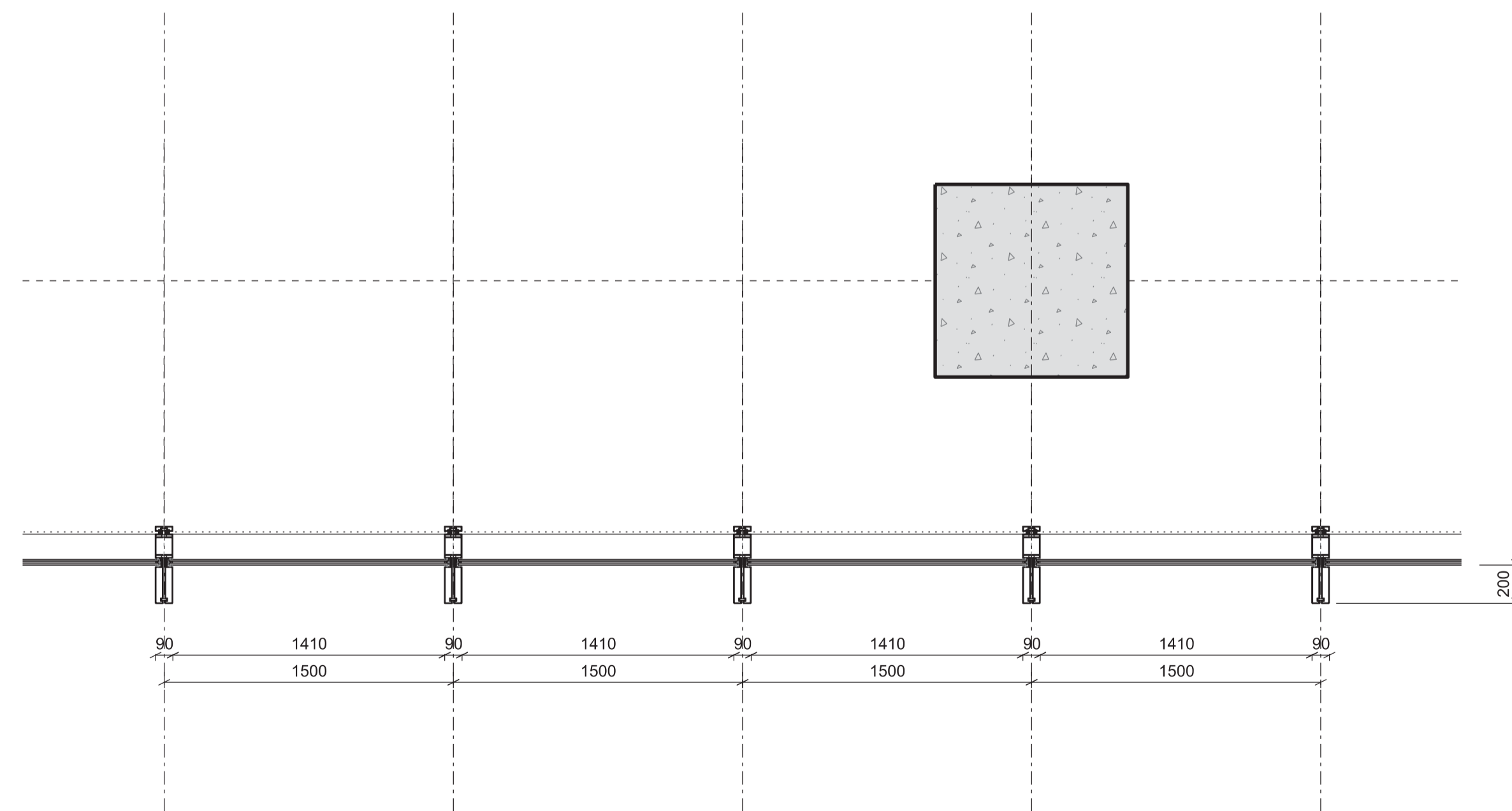
scale	As indicated	status	drawing no.
drawn	D. Wright		<b>DA2310</b>
paper size	A1		
checked	RO	issue	
project no	m: 958 a: 120298.00		<b>Rev 02</b>



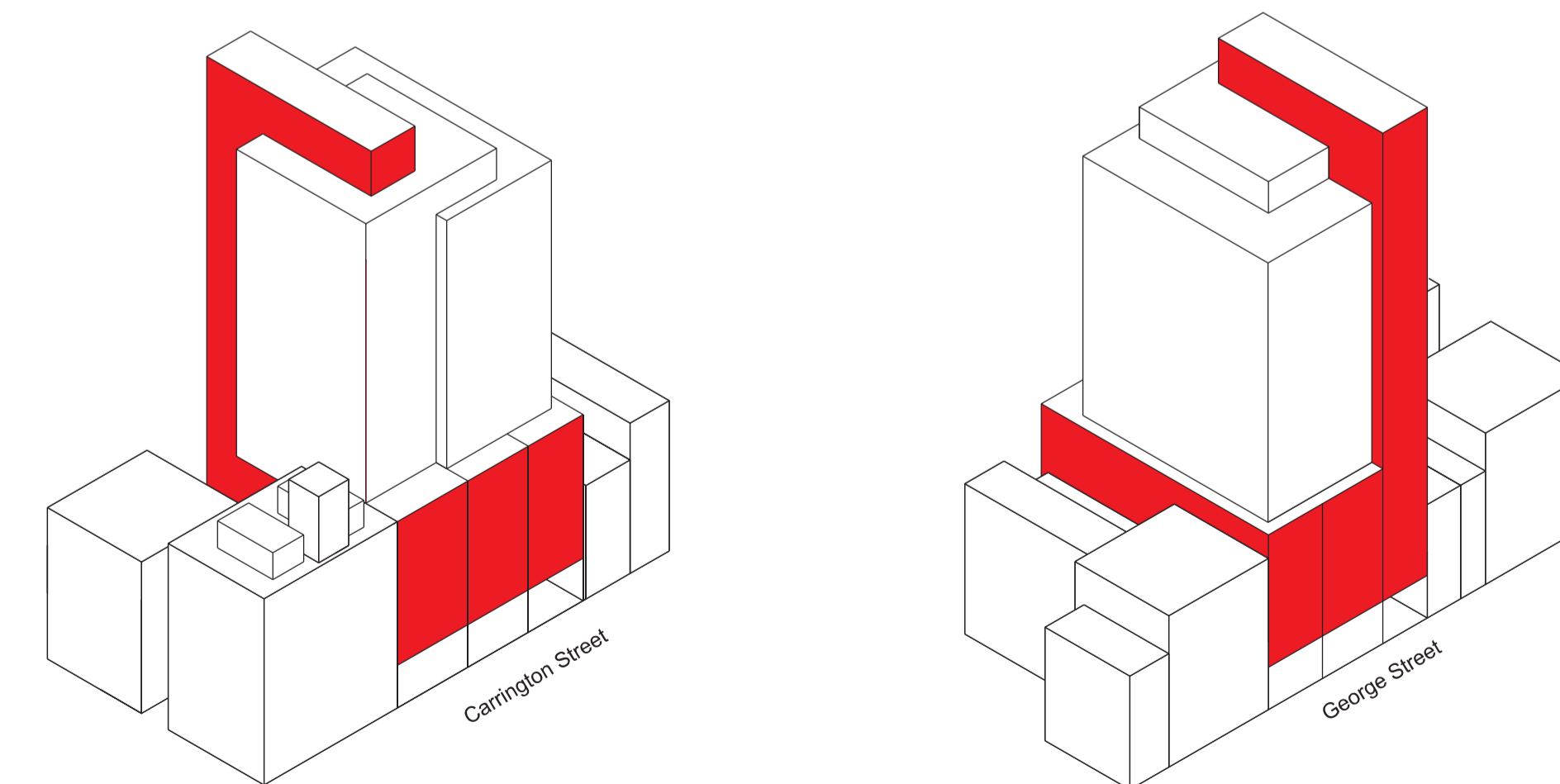
01 Typical Office Elevation  
1:25



03 Typical office section  
1:25



02 Typical Office Plan  
1:25



04 Cladding Type Location  
NTS

Issue	reason for issue	date	checked
Rev 00	Development Application Submission	19.03.14	PS
Rev 01	Issued for TNSW Landowners Consent	28.08.15	PS
Rev 02	S96 Issue	25.09.15	PS

## Brookfield

Sovereign Wynnard Centre Pty Limited or its nominee  
 Level 22, 135 King Street  
 Sydney  
 NSW 2000  
 T +612 9322 82

## architects make + architectus™

**Make**  
 32 Cleveland Street  
 London  
 W1T 4JY  
 T +44 (0)20 7636 5151  
 info@makearchitects.com  
 www.makearchitects.com

**Architectus Sydney**  
 Level 18 MLC Centre  
 19 Martin Place  
 Sydney NSW 2000  
 T (61 2) 8252 8400  
 F (61 2) 8252 8600  
 sydney@architectus.com.au  
 ABN 11 098 488 448

project Wynyard Place

drawing Typical Cladding Detail 1  
 200mm Deep Fins

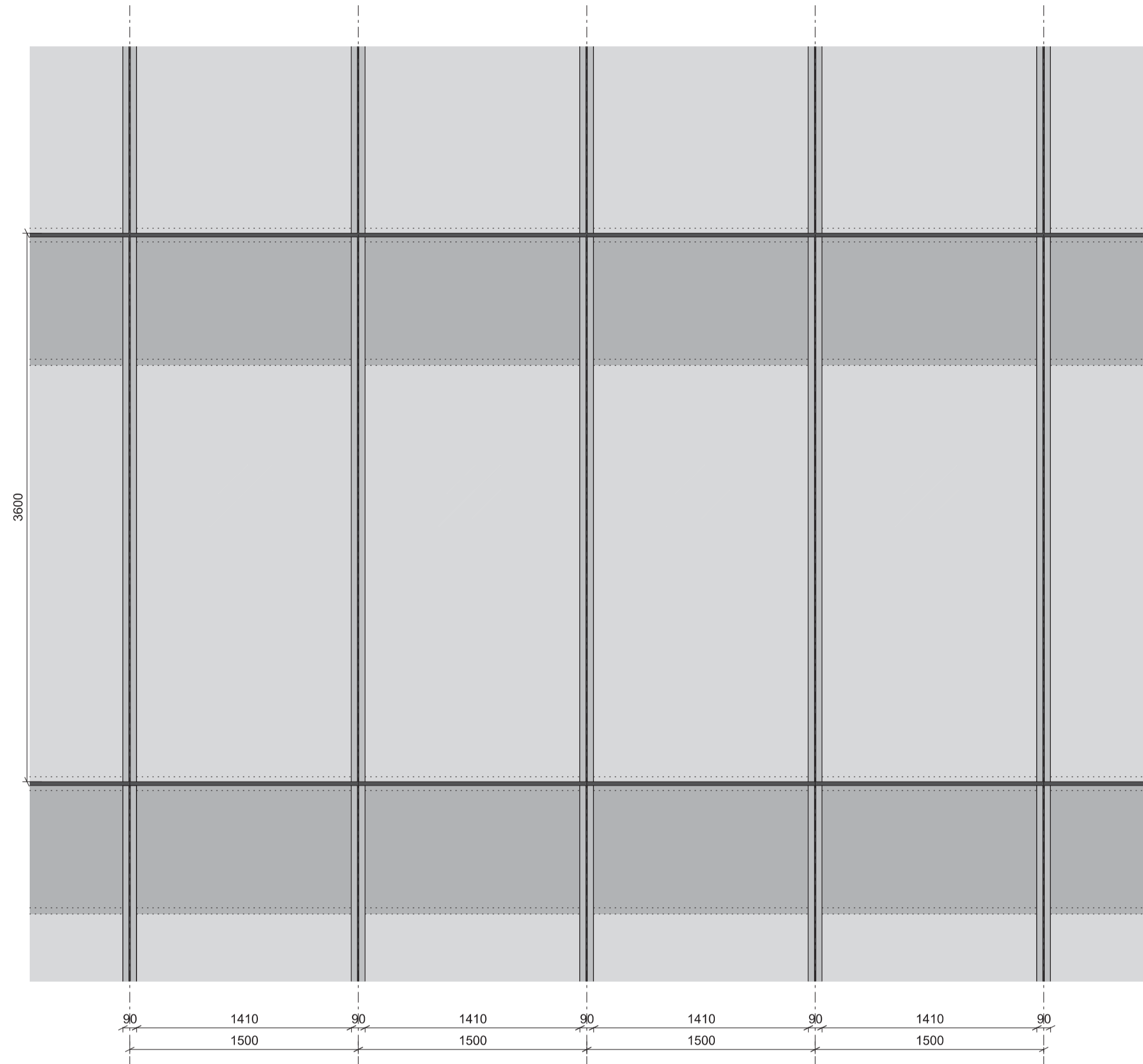
scale 1 : 25 status drawing no.

drawn DA5000

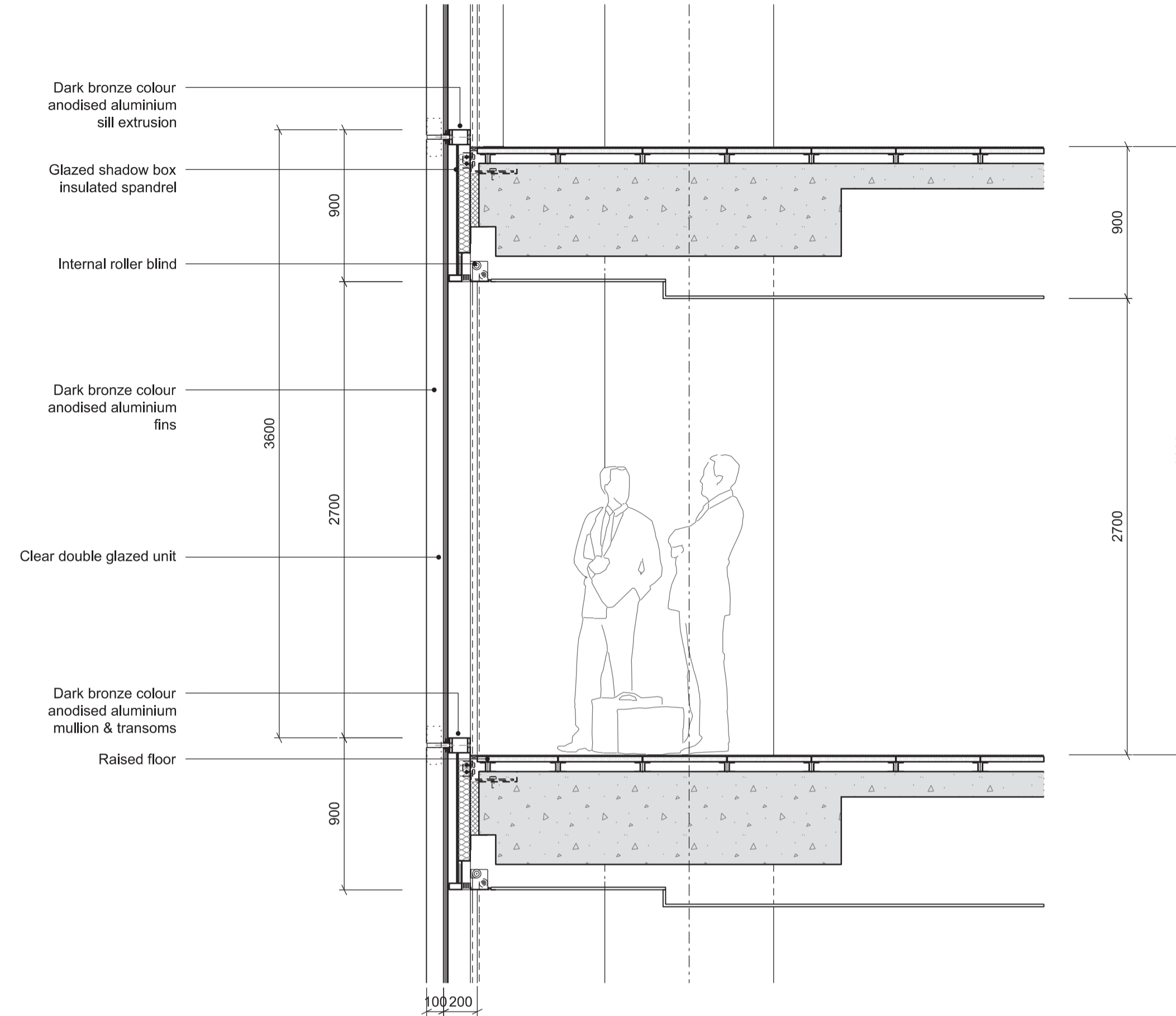
paper size A1

checked PS/JL issue

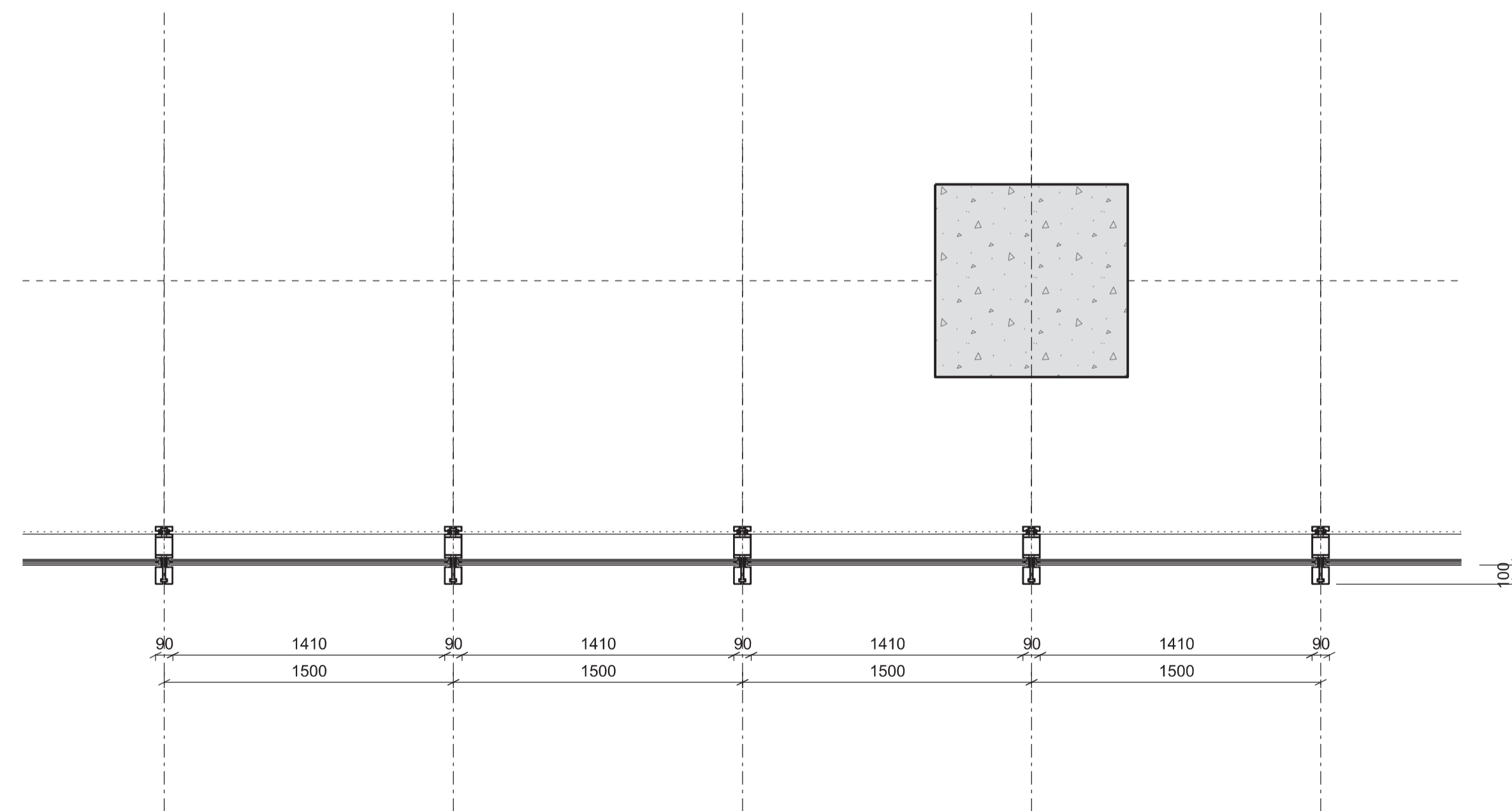
project no m: 958 a: 120298.00 Rev 02



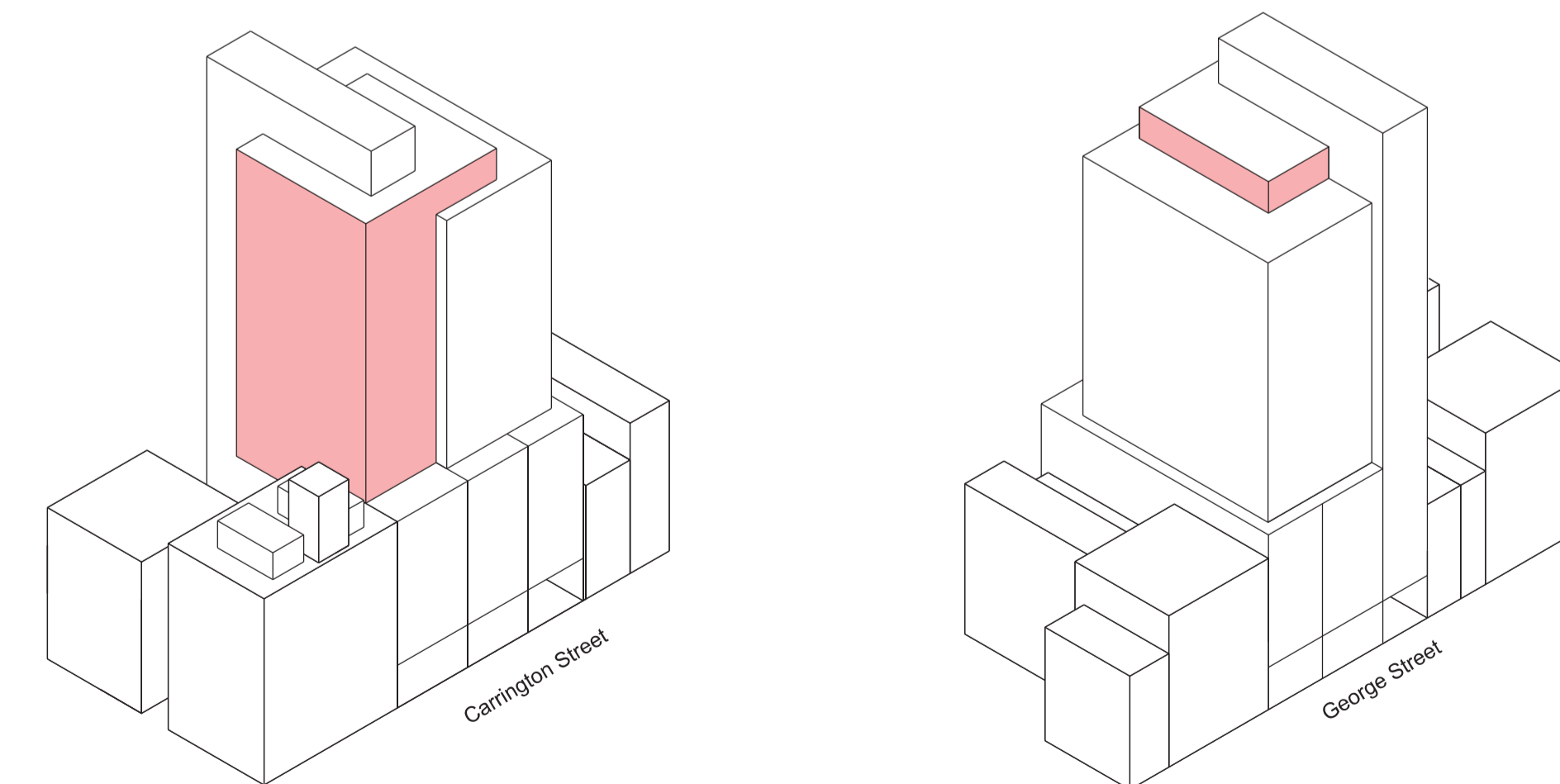
01 Typical Office Elevation  
 1:25



03 Typical office section  
 1:25



02 Typical Office Plan  
 1:25



04 Cladding Type Location  
 NTS

Issue	reason for issue	date	checked
Rev 00	Development Application Submission	19.03.14	PS
Rev 01	Issued for TNSW Landowners Consent	28.08.15	PS
Rev 02	S96 Issue	25.09.15	PS

## Brookfield

Sovereign Wynnard Centre Pty Limited or its nominee  
 Level 22, 135 King Street  
 Sydney  
 NSW 2000  
 T +612 9322 82

## architects make + architectus™

**Make**  
 32 Cleveland Street  
 London  
 W1T 4JY  
 T +44 (0)20 7636 5151  
 info@makearchitects.com  
 www.makearchitects.com

**Architectus Sydney**  
 Level 18 MLC Centre  
 19 Martin Place  
 Sydney NSW 2000  
 T (61 2) 8252 8400  
 F (61 2) 8252 8600  
 sydney@architectus.com.au  
 ABN 11 098 488 448

project Wynyard Place

drawing Typical Cladding Detail 2  
 100mm Deep Fins

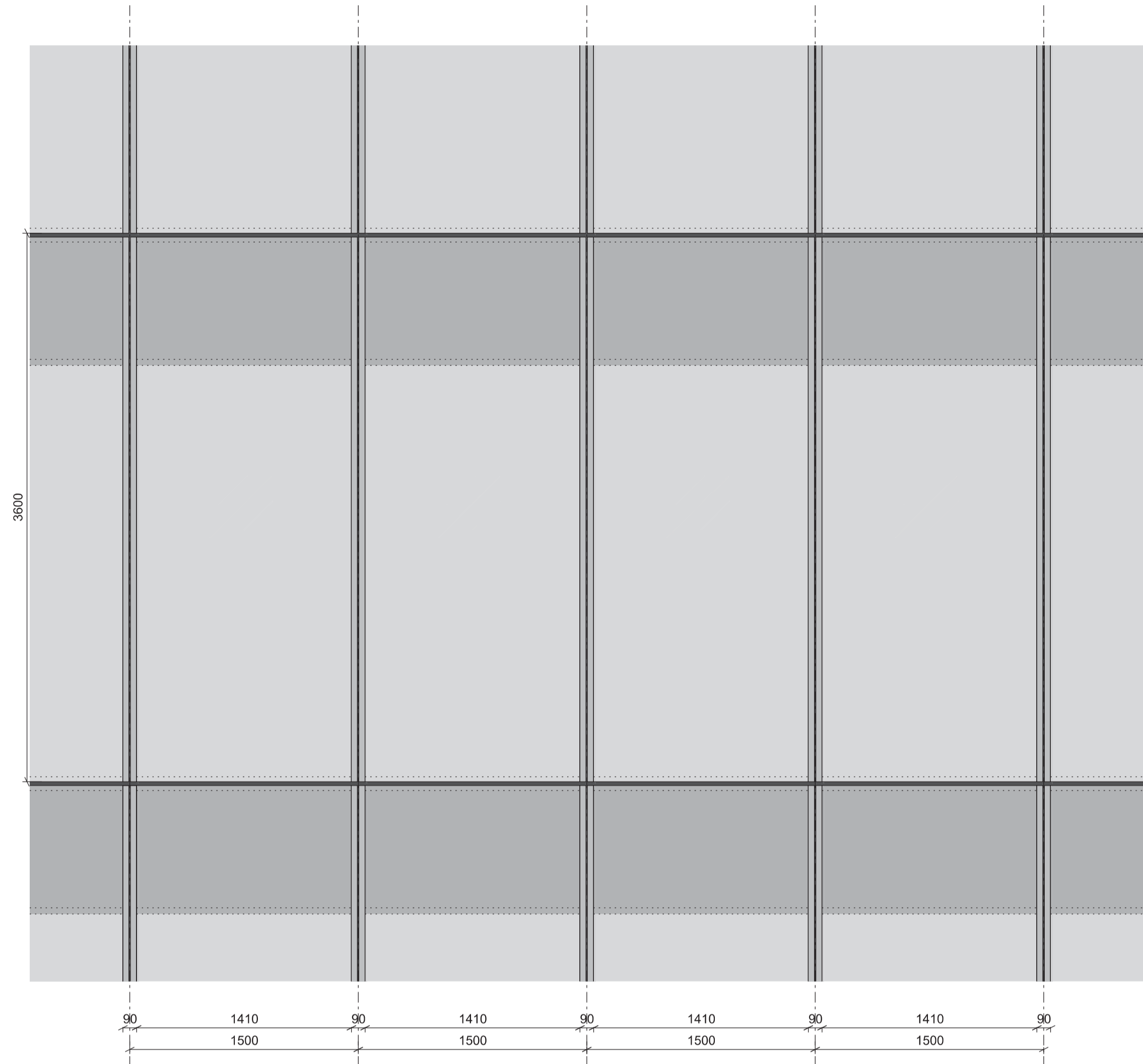
scale 1 : 25 status drawing no.

drawn DA5001

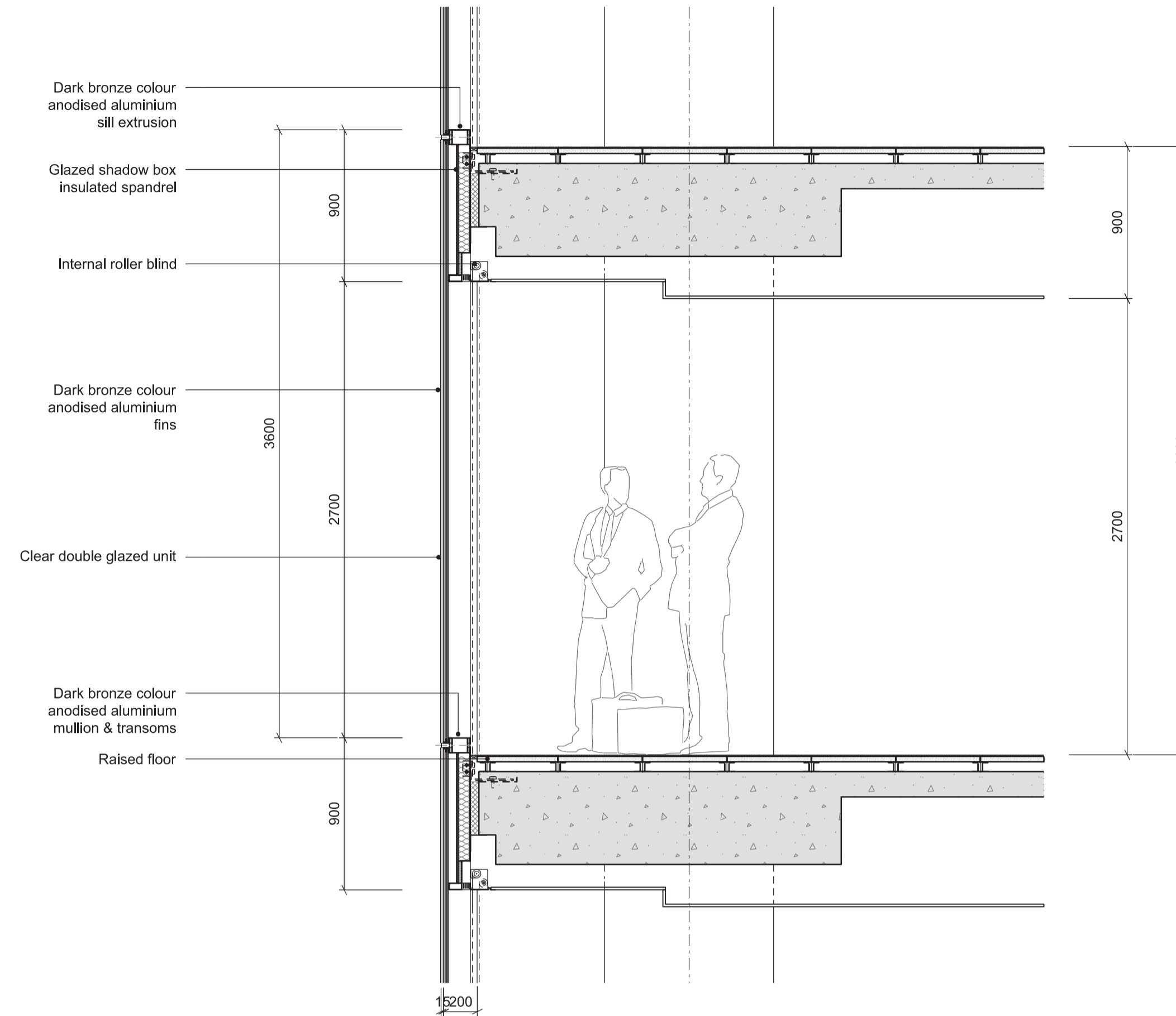
paper size A1

checked PS/JL issue

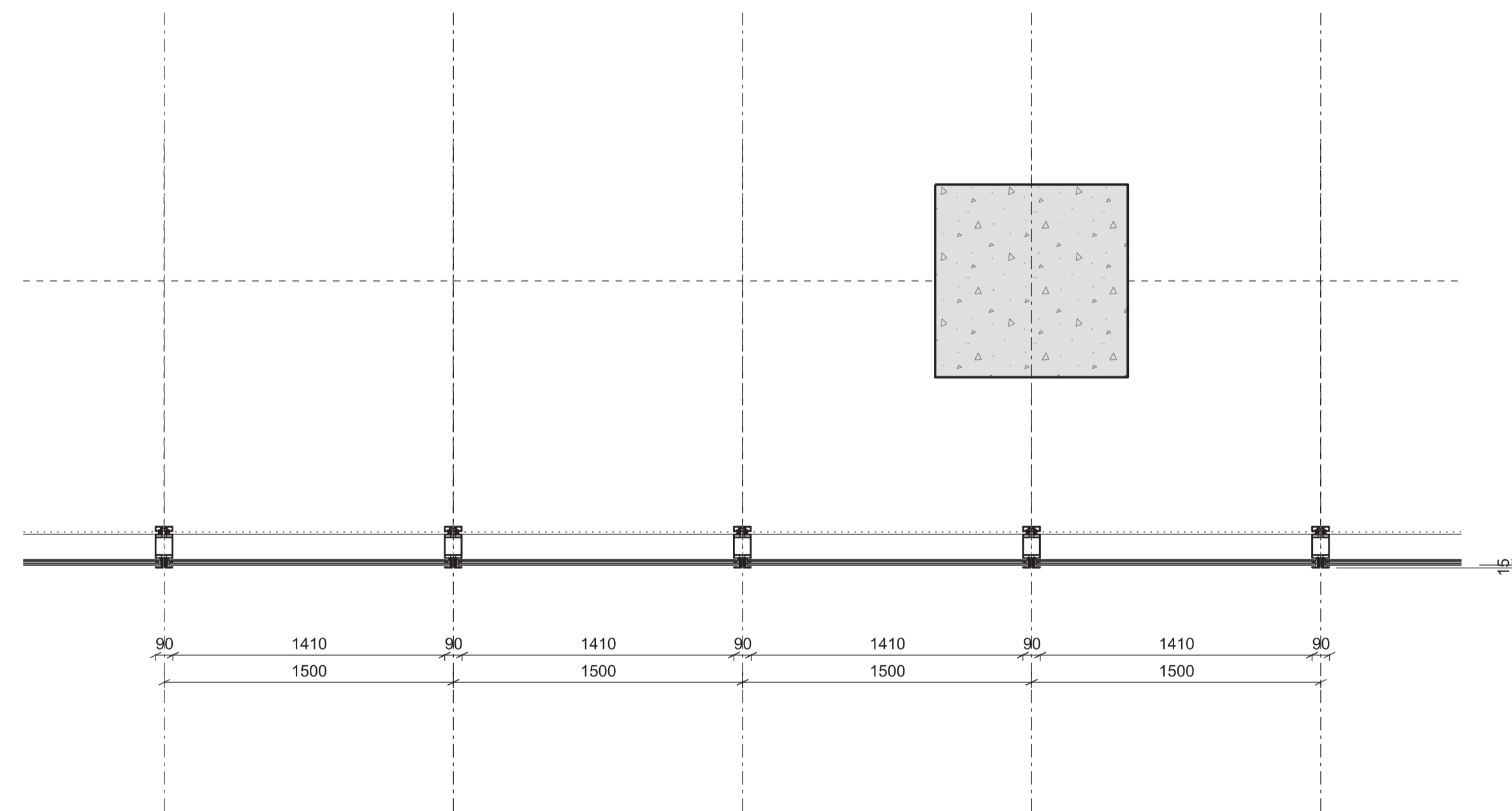
project no m: 958 a: 120298.00 **Rev 02**



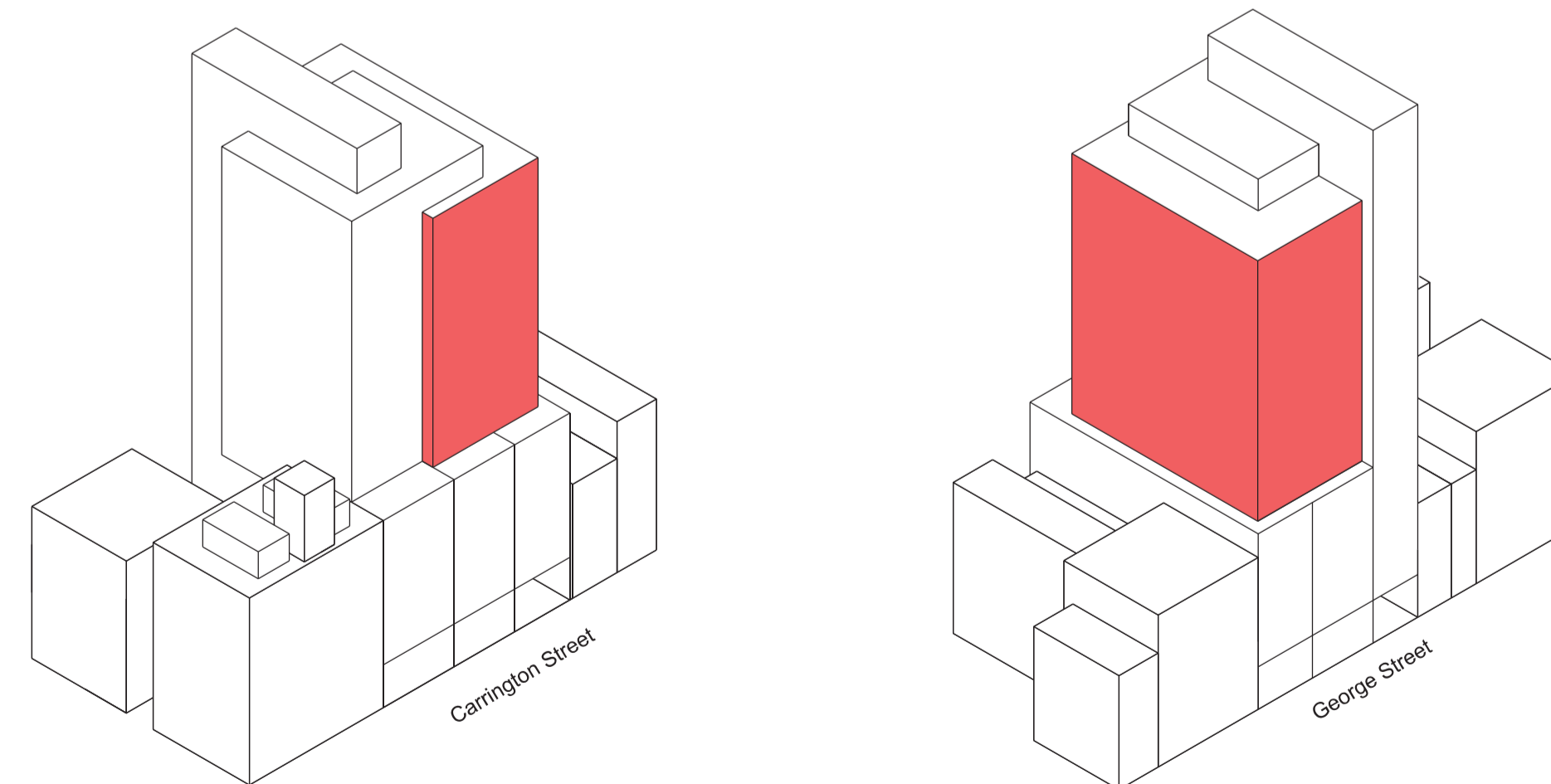
01 Typical Office Elevation  
1:25



03 Typical office section  
1:25



02 Typical Office Plan  
1:25



04 Cladding Type Location  
NTS

**architectus**  
 Architectus Group Pty Ltd is the owner of the copyright subsisting in these drawings, plans, designs and specifications. They must not be used, reproduced or copied, in whole or in part, nor may the information, ideas and concepts therein contained (which are confidential to Architectus Group Pty Ltd) be disclosed to any person without the prior written consent of that company.  
 Do not scale drawings. Verify all dimensions on site. Dimensions in millimetres unless otherwise stated. Levels are in metres above Australian Height Datum unless otherwise stated. All discrepancies to be notified in writing to Make+Architectus.

Issue	reason for issue	date	checked
Rev 00	Issued for TNSW Landowners Consent	28.08.15	PS
Rev 01	S96 Issue	25.09.15	PS

## Brookfield

Sovereign Wynyard Centre Pty Limited or its nominee  
 Level 22, 135 King Street  
 Sydney  
 NSW 2000  
 T +612 9322 82

## architects make + architectus™

**Make**  
 32 Cleveland Street  
 London  
 W1T 4JY  
 T +44 (0)20 7636 5151  
 info@makearchitects.com  
 www.makearchitects.com

**Architectus Sydney**  
 Level 18 MLC Centre  
 19 Martin Place  
 Sydney NSW 2000  
 T (61 2) 8252 8400  
 F (61 2) 8252 8600  
 sydney@architectus.com.au  
 ABN 11 098 488 448

project **Wynyard Place**

drawing **Typical Cladding Detail 3**  
 15mm Deep Fins

scale 1 : 25 status drawing no.

drawn **DA5002**

paper size A1

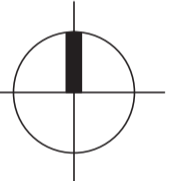
checked PS/JL issue

project no m: 958 a: 120298.00 **Rev 01**



1 DA - 22 December 0800 - Existing  
Scale: 1 : 1000

2 DA - 22 December 0800 - Proposed  
Scale: 1 : 1000



issue	reason for issue	date	checked
Rev 00	Development Application Submission	17.03.2014	MC
Rev 01	Revised DA - Shadow Studies	02.09.2014	MC
Rev 02	S96 Issue	25.09.2015	RO

## Brookfield

Sovereign Wynnard Centre Pty Limited or its nominee  
Level 22, 135 King Street  
Sydney  
NSW 2000  
T +612 9322 82

## make + architectus™

**Make London**  
32 Cleveland Street  
London  
W1T 4JY  
T +44 (0)20 7636 6151  
info@makearchitects.com  
www.makearchitects.com

**Architectus Sydney**  
Level 18 MLC Centre  
19 Martin Place  
Sydney NSW 2000  
T (61 2) 8252 8400  
F (61 2) 8252 8600  
sydney@architectus.com.au  
ABN 11 058 489 448

project **One Carrington**

drawing  
**Shadow Studies - 22 December 0800**

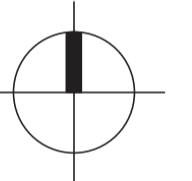
scale	1 : 1000	status	drawing no.
drawn	D.Wright		<b>DA7000</b>
paper size	A1		
checked	RO	issue	<b>Rev 02</b>
project no	m: 958 a: 120298.00		



1 DA - 22 December 0900 - Existing  
Scale: 1 : 1000

2 DA - 22 December 0900 - Proposed  
Scale: 1 : 1000

issue	reason for issue	date	checked
Rev 00	Development Application Submission	17.03.2014	MC
Rev 01	Revised DA - Shadow Studies	02.09.2014	MC
Rev 02	S96 Issue	25.09.2015	RO



## Brookfield

Sovereign Wynnard Centre Pty Limited or its nominee  
Level 22, 135 King Street  
Sydney  
NSW 2000  
T +612 9322 82

## make + architectus™

Make London  
32 Cleveland Street  
London  
W1T 4JY  
T +44 (0)20 7636 6151  
info@makearchitects.com  
www.makearchitects.com

Architectus Sydney  
Level 18 MLC Centre  
19 Martin Place  
Sydney NSW 2000  
T (61 2) 8252 8400  
F (61 2) 8252 8600  
sydney@architectus.com.au  
ABN 11 058 489 448

project One Carrington

drawing  
Shadow Studies - 22 December 0900

scale	1 : 1000	status	drawing no.
drawn	D.Wright		<b>DA7001</b>
paper size	A1		
checked	RO	issue	
project no	m: 958 a: 120298.00		<b>Rev 02</b>

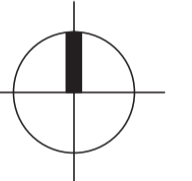
Architectus Sydney Pty Ltd is the owner of the copyright subsisting in these drawings, plans, designs and specifications. They must not be used, reproduced or copied, in whole or in part, nor may the information, ideas and concepts therein be disclosed (which are confidential to Architectus Sydney Pty Ltd) to any person without the prior written consent of that company.

Do not scale drawings. Verify all dimensions on site. Dimensions in millimetres unless otherwise stated. Levels are in metres above Australian Height Datum unless otherwise stated. All discrepancies to be notified in writing to Make+Architectus.



LEGEND:

 CONCEPT ENVELOPE  
 SHADOW



issue	reason for issue	date	checked
Rev 00	Development Application Submission	17.03.2014	MC
Rev 01	Revised DA - Shadow Studies	02.09.2014	MC
Rev 02	S96 Issue	25.09.2015	RO

## Brookfield

Sovereign Wynnard Centre Pty Limited or its nominee  
 Level 22, 135 King Street  
 Sydney  
 NSW 2000  
 T +612 9322 82

## make + architectus™

**Make London**  
 32 Cleveland Street  
 London  
 W1T 4JY  
 T +44 (0)20 7636 6151  
 info@makearchitects.com  
 www.makearchitects.com

**Architectus Sydney**  
 Level 18 MLC Centre  
 19 Martin Place  
 Sydney NSW 2000  
 T (61 2) 8252 8400  
 F (61 2) 8252 8600  
 sydney@architectus.com.au  
 ABN 11 058 489 448

project **One Carrington**

drawing  
**Shadow Studies - 22 December 1000**

scale	1 : 1000	status	drawing no.
drawn	D.Wright		<b>DA7002</b>
paper size	A1		
checked	RO	issue	
project no	m: 958 a: 120298.00		<b>Rev 02</b>

**1** DA - 22 December 1000 - Existing  
 Scale: 1 : 1000

**2** DA - 22 December 1000 - Proposed  
 Scale: 1 : 1000