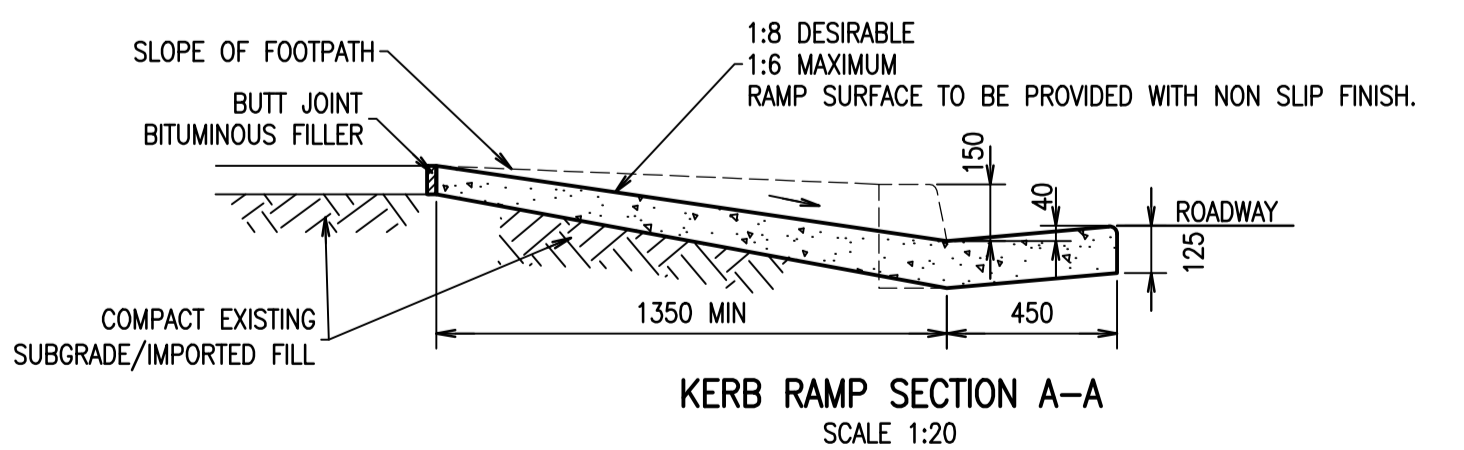
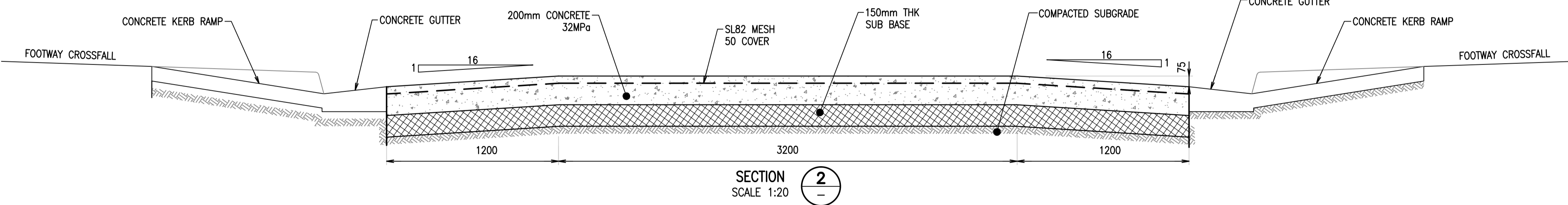
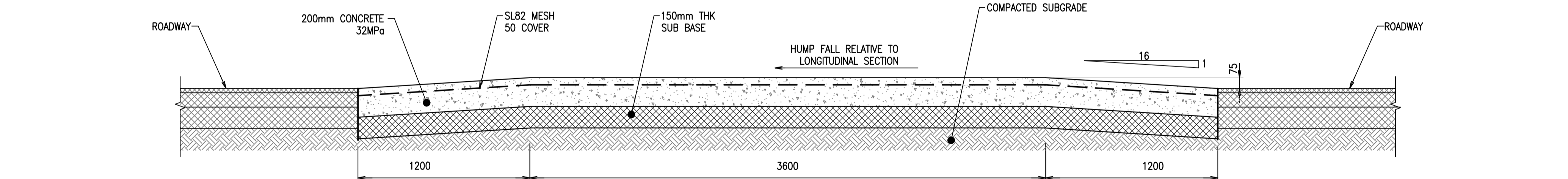
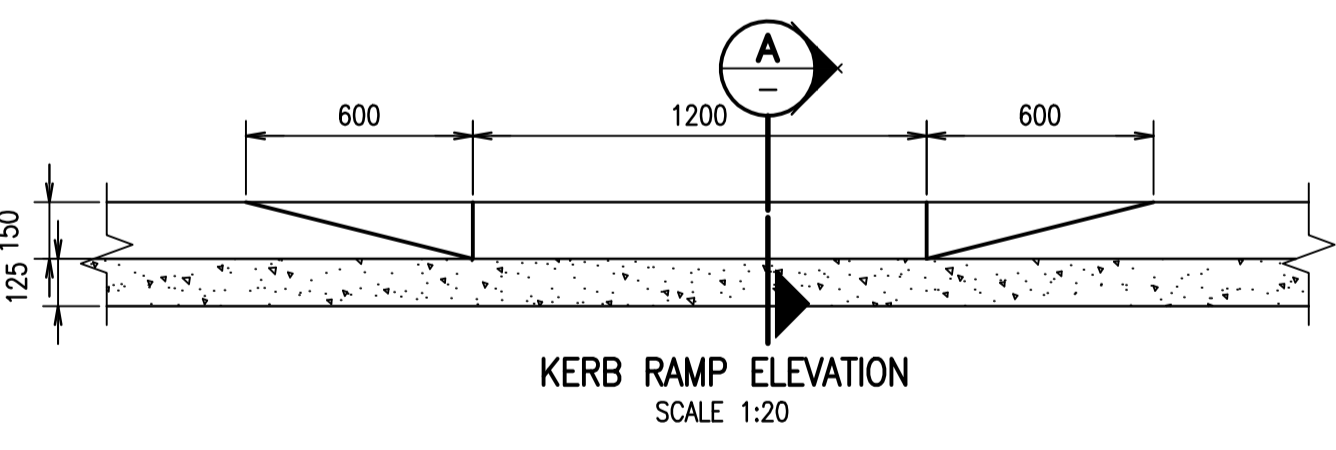


NOTE:
PRAM RAMPS HAVE NO LIP AT INVERT OF GUTTER



Disclaimer: Robert Bird Group Pty Ltd (RBG) and its related entities (RE) do not warrant the accuracy, currency or completeness of any information or data they supply or transfer by electronic means. You are responsible for verifying that any information or data supplied or transferred by electronic means matches the information or data on the corresponding PDF or other version issued by RBG. From time to time, RBG may update its information or data. You are responsible for ensuring that you have the most up-to-date information or data. RBG is not liable for any loss or damage suffered by you or any other party as a result of your access to or use of this information or data.

Unless agreed otherwise by Robert Bird Group Pty Ltd (RBG) and its related entities (RE) in writing, intellectual property rights in any information or data supplied or transferred to you (including copyright in all text, graphics, logos, icons, sound recordings and software) are owned by, or licensed to, RBG. Other than for purposes authorised by RBG in writing, you must not copy, adapt, reproduce, store, publish or disseminate any information or data supplied or transferred by electronic means without RBG's prior written permission. © Robert Bird Group Pty Ltd 2013

DO NOT SCALE DRAWINGS. USE FIGURED DIMENSIONS. REFER COVER SHEET FOR NOTES UNLESS NOTED OTHERWISE

SCALE 1:200
0 1 2 5 10m

SCALE 1:20
0 200 400 600 800 1000mm

SCALE 1:50
0 1 2 3 m

SCALE 1:10
0 100 200 300 400 500mm

Rev.	Revision Description	By.	App. Date	Rev.	Revision Description	By.	App. Date
1	DRAFT SUBMISSION FOR SSDA	LAR	CR 19.05.2014				
2	UPDATED SUBMISSION FOR SSDA	LAR	CR 22.05.2014				
3	UPDATED SUBMISSION FOR SSDA	LAR	CR 27.05.2014				
4	UPDATED SUBMISSION FOR SSDA	LAR	CR 21.10.2014				
5	UPDATED SUBMISSION FOR SSDA	LAR	CR 28.10.2014				

Structural, Civil & Construction Engineering Consultant

Robert Bird Group

SYDNEY OFFICE:
Robert Bird Group Pty Ltd
PO Box 838, Australia Square,
Sydney NSW 1215
Level 5
9 Castlereagh St, Sydney NSW

Ph. (02) 8246 3200
Fax. (02) 8246 3201
ACN: 010 580 248

Web Site: www.robertbird.com

Client

UrbanGrowth NSW

Title
CIVIL DETAILS PLAN SHEET 1 OF 2

Project
NORTH RYDE STATION PRECINCT, M2 SITE, S.S.D.A.

NOT FOR CONSTRUCTION

Date 28.10.14	Designer L.RUSSELL	Design Checker C.ROPE
Scale at A1 AS SHOWN	Drawn S.MANANDHAR	Principal/Project Owner R.LUCAS
Job Number 13656	Drawing Number C-0-0-02	Revision 5