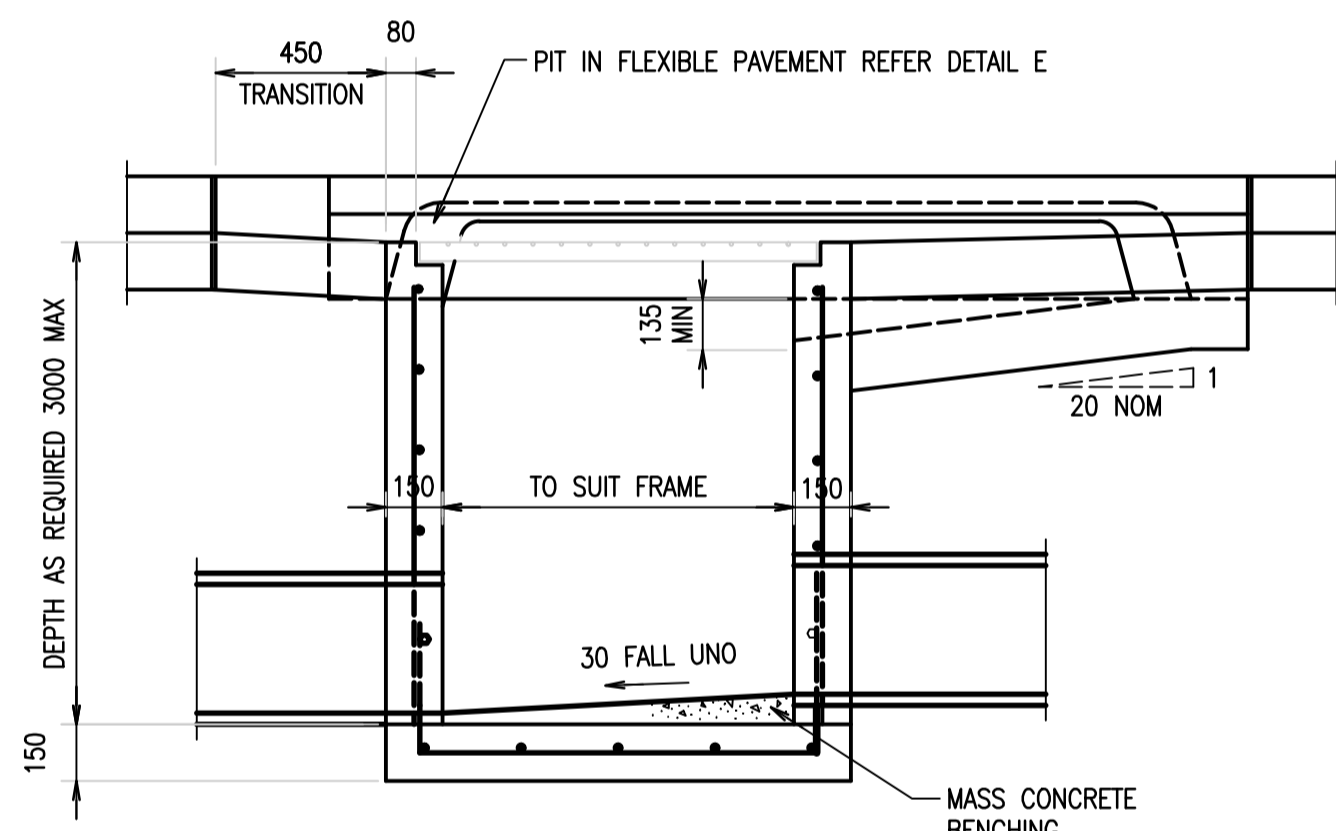
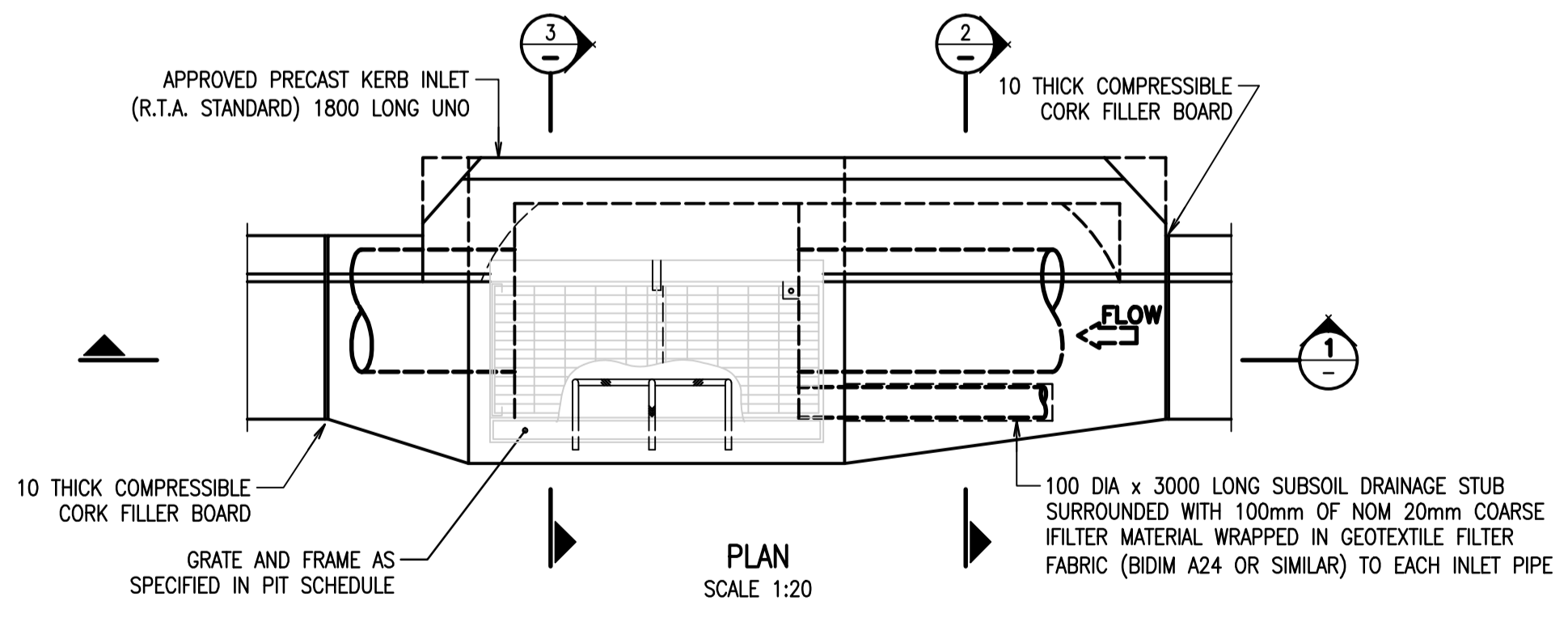


- NOTES:**
1. WHEN POSITIONED IN STRAIGHT ALIGNMENT, STEP TO BE 400 WIDE.
 2. STAGGERED STEPS TO BE 200 WIDE, STEPS TO BE STAGGERED 200 CENTRE TO CENTRE FOR ALTERNATE STEPS.
 3. SPACING OF STEPS TO BE UNIFORM TO WITHIN ± 8mm IN EACH PIT.

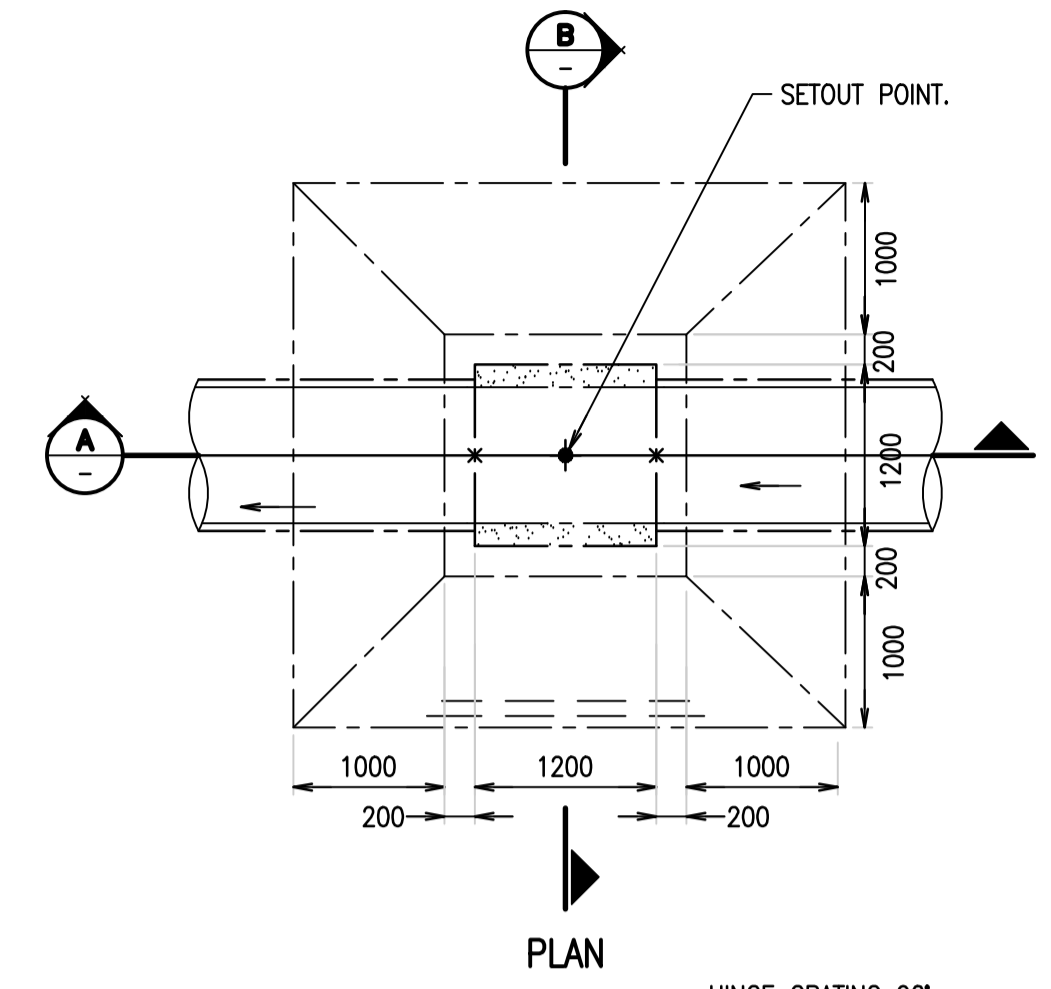
PIT STEP IRON DETAILS
NTS



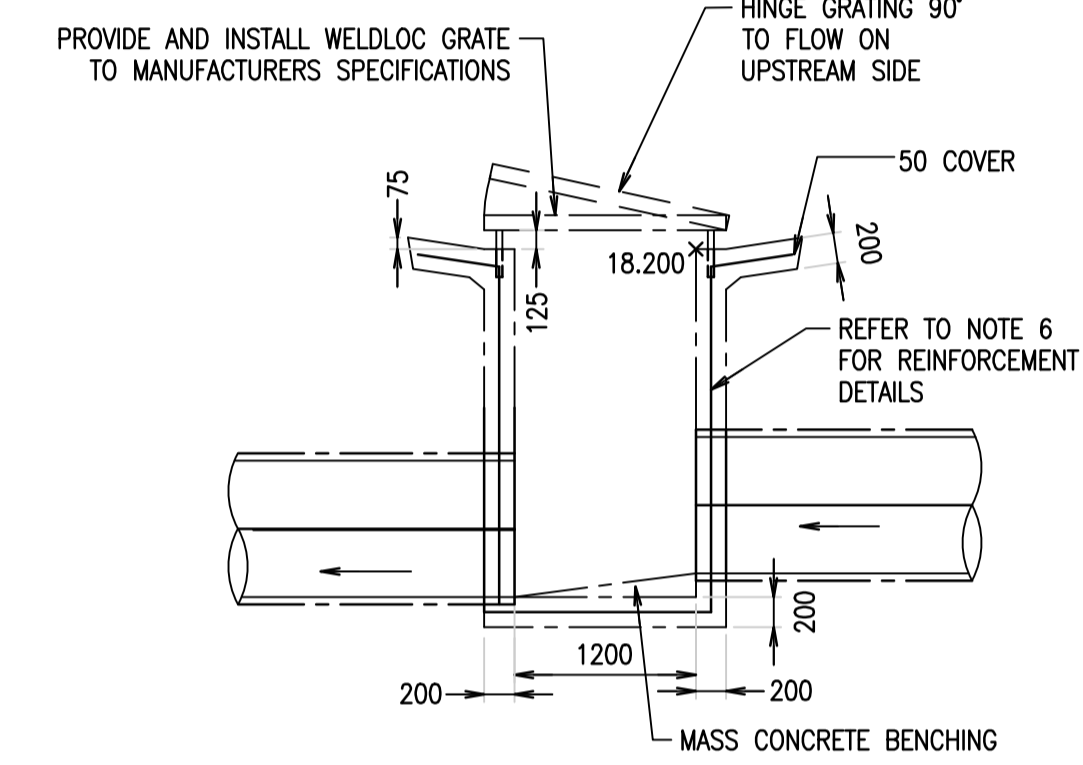
SECTION 1
SCALE 1:20



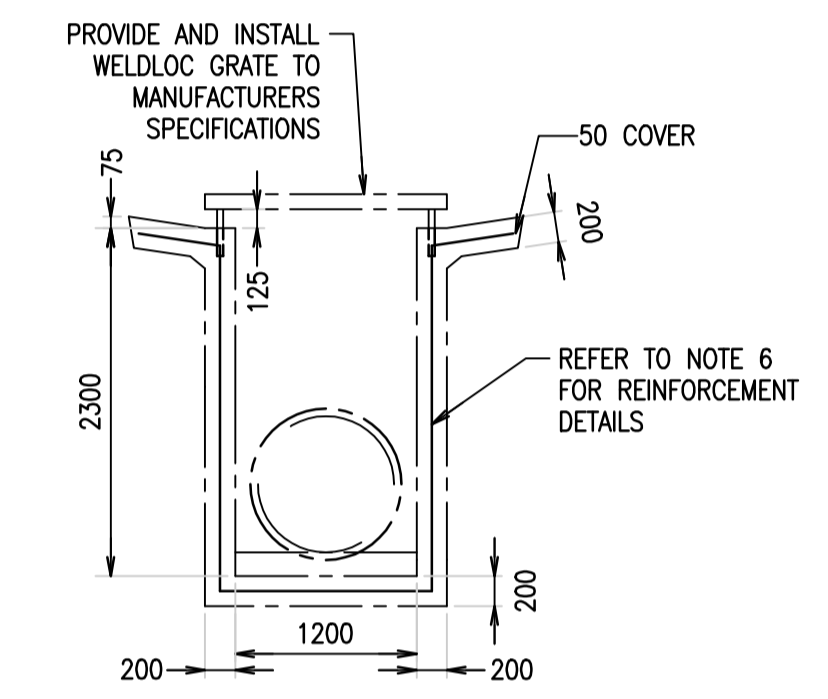
ON GRADE PIT WITH LINTEL
SCALE 1:20



PLAN

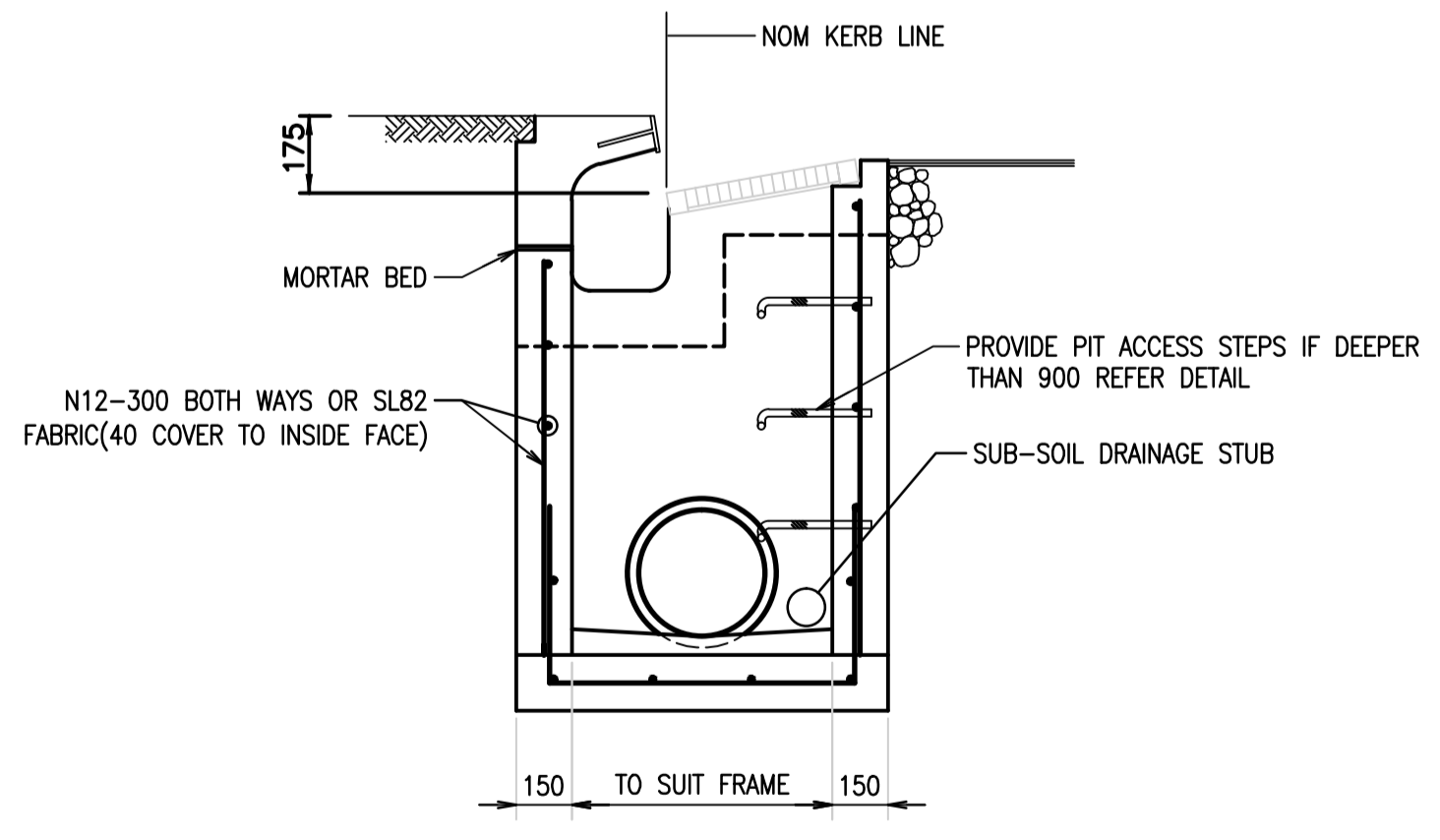


SECTION A-A

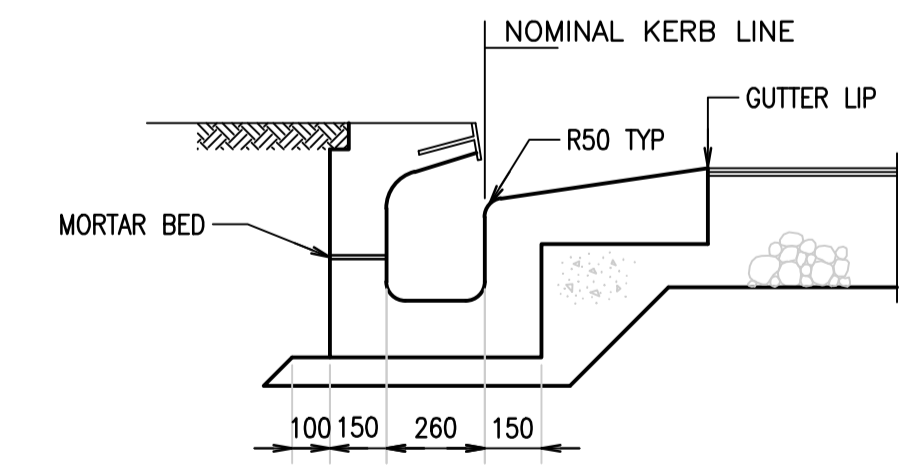


SECTION B-B

FIELD INLET PIT (FIP)
SCALE 1:50



SECTION 3
SCALE 1:20



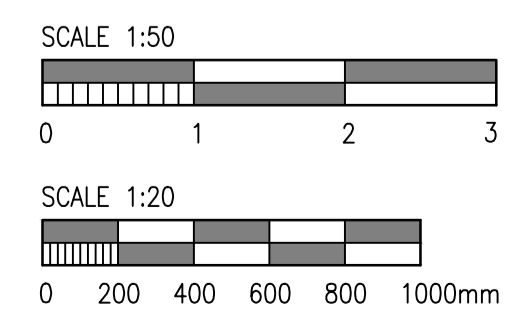
SECTION 2
SCALE 1:20

- NOTES**
1. THE STRENGTH OF CONCRETE USED SHALL BE 32MPa AT 28 DAYS.
 2. TOP OF BENCHING TO BE ONE-THIRD OF OULET PIPE DIAMETER.
 3. PROVIDED STEP IRONS WHERE PIT IS DEEPER THAN 1200mm AT 300mm INTERVALS PLACING THEM ON A WALL CLEAR OF FLOW WHERE POSSIBLE.
 4. ALL PITS TO BE PROVIDED WITH LOCKING CLIP
 5. PROVIDED 3m OF 100mm DIAMETER CORRUGATED PVC SUBSOIL DRAIN ON INLET SIDE OF PIT. SUBSOIL PIPE TO BE SURROUNDED BY A MINIMUM 300mm OF 10mm AGGREGATE.
 6. REINFORCEMENT TO CONSIST OF SL102 FABRIC CENTRALLY LOCATED WITH N12 CORNER BARS AT 300mm CENTRES AND 450mm LEGS. PROVIDE N12 CORNER BARS TO ALL FREE EDGES OF MESH.
 7. ALL DIMENSIONS ARE IN MILLIMETERS UNLESS SHOWN OTHERWISE.

Disclaimer: Robert Bird Group Pty Ltd (RBG) and its related entities (REs) do not warrant the accuracy, currency or completeness of any information or data they supply or transfer by electronic means. You are responsible for verifying that any information or data supplied or transferred by electronic means matches the information or data on the corresponding PDF or other version issued by RBG. From any liability for any loss or damage however caused which you or any other party may directly or indirectly suffer in connection with your access to or use of that information or data.

Unless agreed otherwise by Robert Bird Group Pty Ltd (RBG) and its related entities (REs) in writing, intellectual property rights in any information or data supplied or transferred to you (including copyright in all text, graphics, logos, icons, sound recordings and software) are owned by, or licensed to, RBG. Other than for purposes authorised by RBG in writing, you must not copy, adapt, reproduce, store, publish or commercialise any information or data supplied or transferred by electronic means without RBG's prior written permission. © Robert Bird Group Pty Ltd 2013.

DO NOT SCALE DRAWINGS, USE FIGURED DIMENSIONS
REFER COVER SHEET FOR NOTES UNLESS NOTED OTHERWISE



Rev.	Revision Description	By.	App. Date	Rev.	Revision Description	By.	App. Date
1	UPDATED SUBMISSION FOR SSDA	DM	CR 21.10.2014				
2	UPDATED SUBMISSION FOR SSDA	LAR	CR 28.10.2014				

Structural, Civil & Construction
 Engineering Consultant

Robert Bird Group
 Web Site: www.robertbird.com

SYDNEY OFFICE:
 Robert Bird Group Pty Ltd
 PO Box 838, Australia Square,
 Sydney NSW 1215
 Level 5
 9 Castlereagh St, Sydney NSW

Ph. (02) 8246 3200
 Fax. (02) 8246 3201
 ACN 016 580 248

NOT FOR CONSTRUCTION

Date: 28.10.14
 Scale at A1: AS SHOWN
 Job Number: 13656

Designer: D.MITCHELL
 Drawn: S.MANANDHAR
 Drawing Number: C-0-6-13

Design Checker: C.ROPE
 Principal/Project Owner: R.LUCAS
 Revision: 2

STORMWATER DETAILS
SHEET 4 OF 8

Project: **NORTH RYDE STATION PRECINCT, M2 SITE, S.S.D.A.**