

LEGEND

ITEM	DESCRIPTION
156.6	EXISTING SURFACE CONTOURS
+ 156.60	EXISTING SURFACE SPOT LEVELS
+ RL 156.600	PROPOSED SURFACE SPOT LEVELS
	PROPOSED CONCRETE KERB AND CHANNEL
	EXISTING STORMWATER DRAIN (SURVEYED)
	EXISTING STORMWATER PIT
	EXISTING FEATURES TO BE REMOVED
	SEWER - DIAL BEFORE YOU DIG
	GAS - DIAL BEFORE YOU DIG
	WATER - DIAL BEFORE YOU DIG
	ELECTRICITY - DIAL BEFORE YOU DIG
	OVERHEAD ELECTRICITY - DIAL BEFORE YOU DIG
	TELECOM CABLE - DIAL BEFORE YOU DIG
	OPTIC CABLE - DIAL BEFORE YOU DIG
	SITE FENCE
	SEDIMENT FENCE
	TEMPORARY SHAKER RAMP FOR ENTRY AND EXIT

- ### SEDIMENT AND EROSION CONTROL NOTES
- IT HAS BEEN ASSUMED THAT HOARDINGS/SILT FENCING WILL BE PROVIDED TO THE STAGE BOUNDARY SUFFICIENT TO PREVENT SEDIMENT RUNOFF FROM LEAVING SITE (EXCEPT IN THE CASE OF ENTRY/EXIT LOCATIONS WHERE TEMPORARY CONSTRUCTION ENTRY/EXIT SEDIMENT TRAP ARE PROVIDED). IF THIS IS NOT THE CASE, PROVIDE SEDIMENT FENCE TO STANDARD DETAIL BELOW AS REQUIRED TO PREVENT SEDIMENT FROM LEAVING SITE, DIRECT RUNOFF TO SEDIMENT BASIN.
 - ALL SEDIMENT CONTROL MEASURES TO BE INSTALLED IN ACCORDANCE WITH LANDCOM MANAGING URBAN STORMWATER "BLUE BOOK".
 - MINIMISE CLEARING IN ACCORDANCE WITH THE ARBORIST REPORT: "ARBORIST IMPACT ASSESSMENT AND SPOIL PROFILE" PREPARED BY XXX, DATED XXX
 - SEDIMENT CONTROL FOR LANDSCAPED WORKS DOWNSTREAM OF THE BUILDING TO INCLUDE A SILTFENCE AND SANDBAGS AS REQUIRED. INSTALL BUND TO DIVERT UPSTREAM CATCHMENT AWAY FROM DISTURBED SOIL AREA.
- ### SEDIMENT CONTROL CONDITIONS
- SEDIMENT FENCES WILL BE INSTALLED AS SHOWN AND ELSEWHERE AT THE DISCRETION OF THE SITE MANAGER TO CONTAIN COARSER SEDIMENT FRACTIONS INCLUDING AGGREGATED FINES) AS NEAR AS POSSIBLE TO THEIR SOURCE.
 - SEDIMENT REMOVED FROM ANY TRAPPING DEVICE WILL BE RELOCATED WHERE FURTHER POLLUTION TO DOWNSLOPE LANDS & WATERWAYS CANNOT OCCUR.
 - STOCKPILES WILL BE PLACED WHERE SHOWN ON DRAWING OR ELSEWHERE AT THE DISCRETION OF THE SITE MANAGER AND NOT WITHIN 5m OF HAZARD AREAS INCLUDING LIKELY AREAS OF HIGH VELOCITY FLOWS SUCH AS WATERWAYS, PAVED AREAS & DRIVEWAYS.
 - WATER WILL BE PREVENTED FROM DIRECTLY ENTERING THE PERMANENT DRAINAGE SYSTEM WITH INLET FILTERS (SEE DETAILS) UNLESS IT IS SEDIMENT FREE.
 - TEMPORARY SEDIMENT TRAPS WILL BE RETAINED UNTIL AFTER THE LANDS THEY ARE PROTECTING ARE COMPLETELY REHABILITATED.
 - CONTRACTOR TO DESIGN/SIZE/CONSTRUCT TEMPORARY SEDIMENT BASIN. WATER SHOULD BE ALLOWED TO SETTLE BEFORE DISCHARGE. CONTRACTOR MUST VERIFY THAT WATER QUALITY MEETS AUTHORITIES REQUIREMENTS PRIOR TO DISCHARGE. ACCUMULATED SEDIMENT SHOULD THEN BE REMOVED & DISPOSED OF IN ACCORDANCE WITH ENVIRONMENTAL MANAGEMENT PROCEDURES.
- ### SITE INSPECTION & MAINTENANCE CONDITIONS
- THE SITE MANAGER WILL INSPECT THE SITE AT LEAST WEEKLY AND WILL:
- ENSURE THAT DRAINS OPERATE PROPERLY & TO EFFECT ANY NECESSARY REPAIRS
 - REMOVE SPILLED SAND OR OTHER MATERIALS FROM HAZARD AREAS, INCLUDING LANDS CLOSER THAN 5m FROM AREAS OF LIKELY CONCENTRATED OR HIGH VELOCITY FLOWS ESPECIALLY WATERWAYS & PAVED AREAS.
 - REMOVE TRAPPED SEDIMENT WHENEVER LESS THAN DESIGN CAPACITY REMAINS WITHIN THE STRUCTURE
 - ENSURE REHABILITATED LANDS HAVE EFFECTIVELY REDUCED THE EROSION HAZARD AND TO INITIATE UPGRADING OR REPAIR AS APPROPRIATE.
 - CONSTRUCT ADDITIONAL EROSION AND/OR SEDIMENT CONTROL WORKS AS MIGHT BECOME NECESSARY TO ENSURE THE DESIRED PROTECTION IS GIVEN TO DOWNSLOPE LANDS AND WATERWAYS.
 - MAINTAIN EROSION & SEDIMENT CONTROL MEASURES IN A FULLY FUNCTIONING CONDITION UNTIL ALL EARTHWORK ACTIVITIES ARE COMPLETED AND THE SITE IS REHABILITATED.
 - REMOVE TEMPORARY SOIL CONSERVATION STRUCTURES AS THE LAST ACTIVITY IN THE REHABILITATION PROGRAM.
- AS PART OF THE STATUTORY 'DILIGENCE OF CARE' RESPONSIBILITIES, THE SITE MANAGER WILL KEEP A LOGBOOK MAKING ENTRIES AT LEAST WEEKLY, IMMEDIATELY BEFORE FORECAST RAIN AND AFTER RAINFALL. ENTRIES WILL INCLUDE:
- THE VOLUME & INTENSITY OF ANY RAINFALL EVENTS
 - THE CONDITION OF ANY SOIL & WATER MANAGEMENT WORKS
 - THE CONDITION OF VEGETATION & ANY NEED TO IRRIGATE
 - THE NEED FOR DUST PREVENTION STRATEGIES
 - ANY REMEDIAL WORKS TO BE UNDERTAKEN
- THE BOOK WILL BE KEPT ONSITE & MADE AVAILABLE TO ANY AUTHORISED PERSON ON REQUEST. IT WILL BE GIVEN TO THE PROJECT MANAGER AT THE CONCLUSION OF WORKS.
- ### TREE PROTECTION
- REFER TO "ARBORIST IMPACT ASSESSMENT AND SPOIL PROFILE" BY XXX DATED XXX FOR THE EXTENT OF TREES PROTECTION ZONE AND THE PROTECTION MEASURES REQUIRED.

ALL EXISTING PROPERTY SERVICES' LOCATIONS AND DEPTHS ARE APPROXIMATE AND MUST BE VERIFIED ON SITE. THE CONTRACTOR SHOULD SUPPLY PRECISE LOCATIONS AND DEPTHS TO THE ENGINEER FOR REVIEW PRIOR TO ANY WORKS THAT MAY AFFECT THESE SERVICES.

WARNING
BEWARE OF UNDERGROUND SERVICES
 THE LOCATIONS OF UNDERGROUND SERVICES SHOWN ARE APPROXIMATE ONLY AND THEIR EXACT POSITION SHOULD BE PROVEN ON SITE.

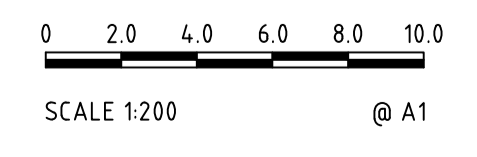
File: \\AU-SYD-FS01\Drawings\13087\0103 WIP\02 Cw\01 CAD\13087-01-C005.dwg Plotted: 05.07.21 at 4:41 PM By: Alex Platano

COPYRIGHT
 These drawings, plans and specifications and the copyright therein are the property of Meinhardt-Bonacci and must not be used, reproduced or copied wholly or in part without the written permission of Meinhardt-Bonacci.

Rev	Description	Date	By	App
P3	DA SUBMISSION	05.07.21	PO	GK
P2	DA SUBMISSION	25.06.21	PO	GK
P1	DA DRAFT SUBMISSION	04.06.21	PO	GK

Rev	Description	Date	By	App

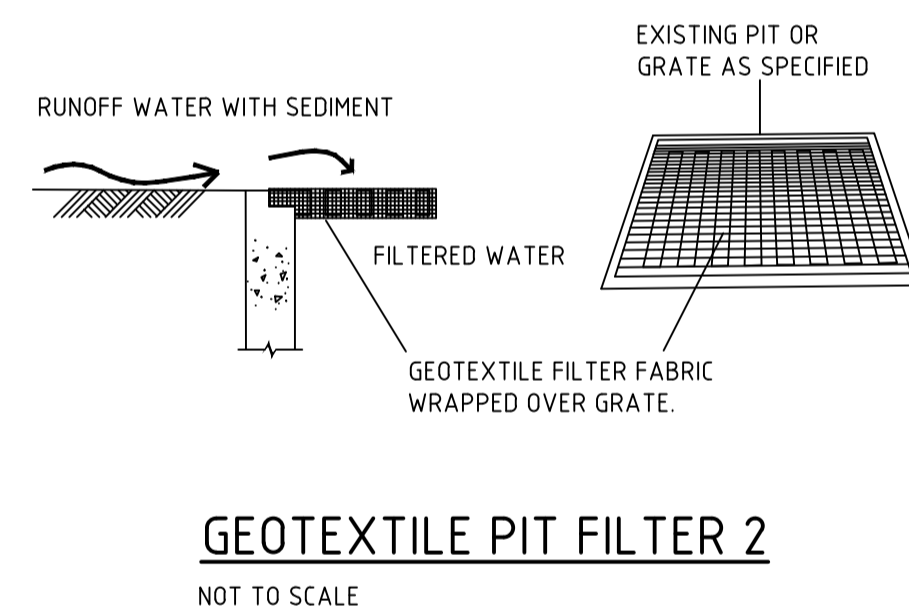
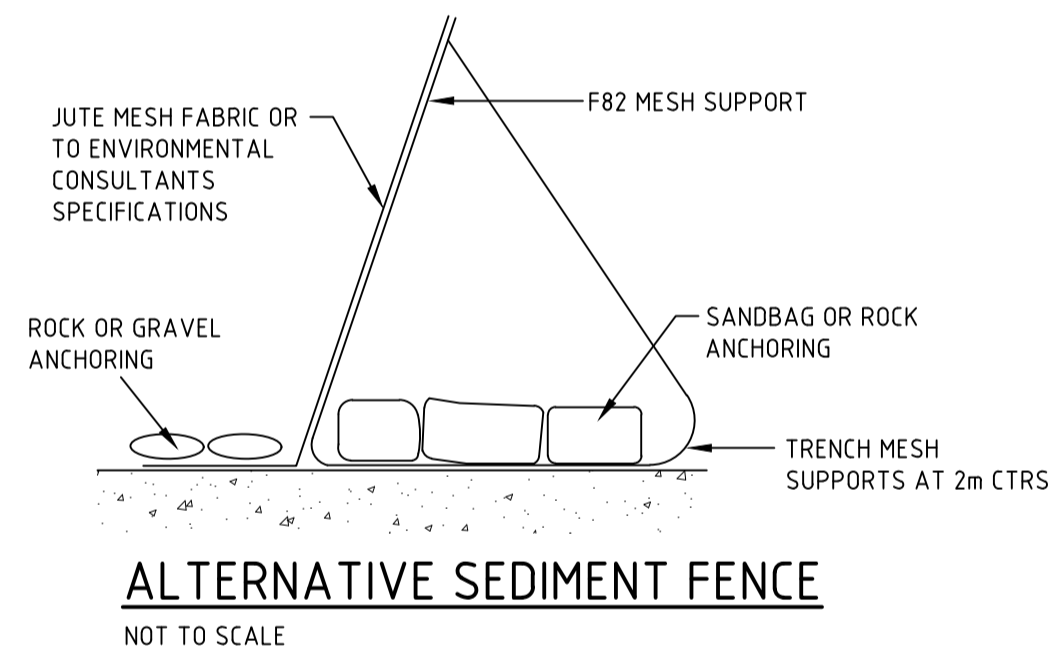
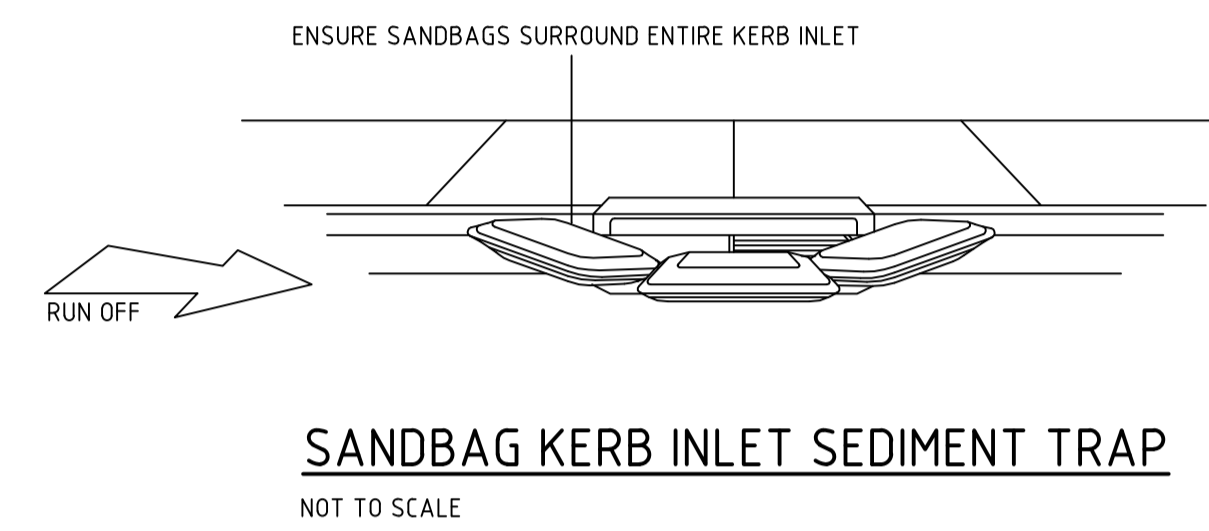
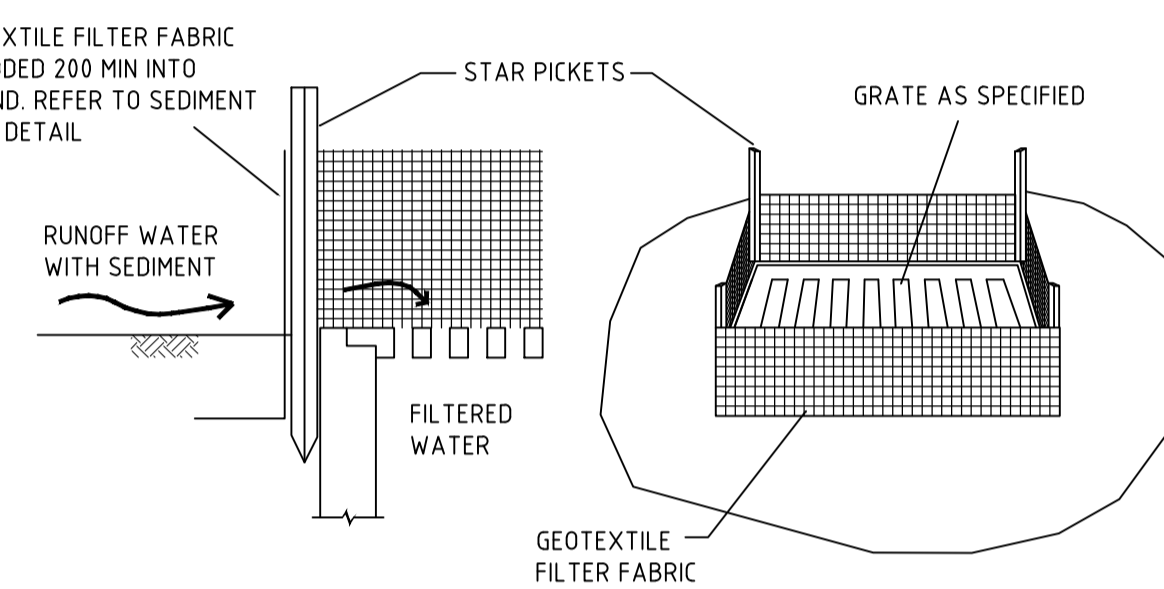
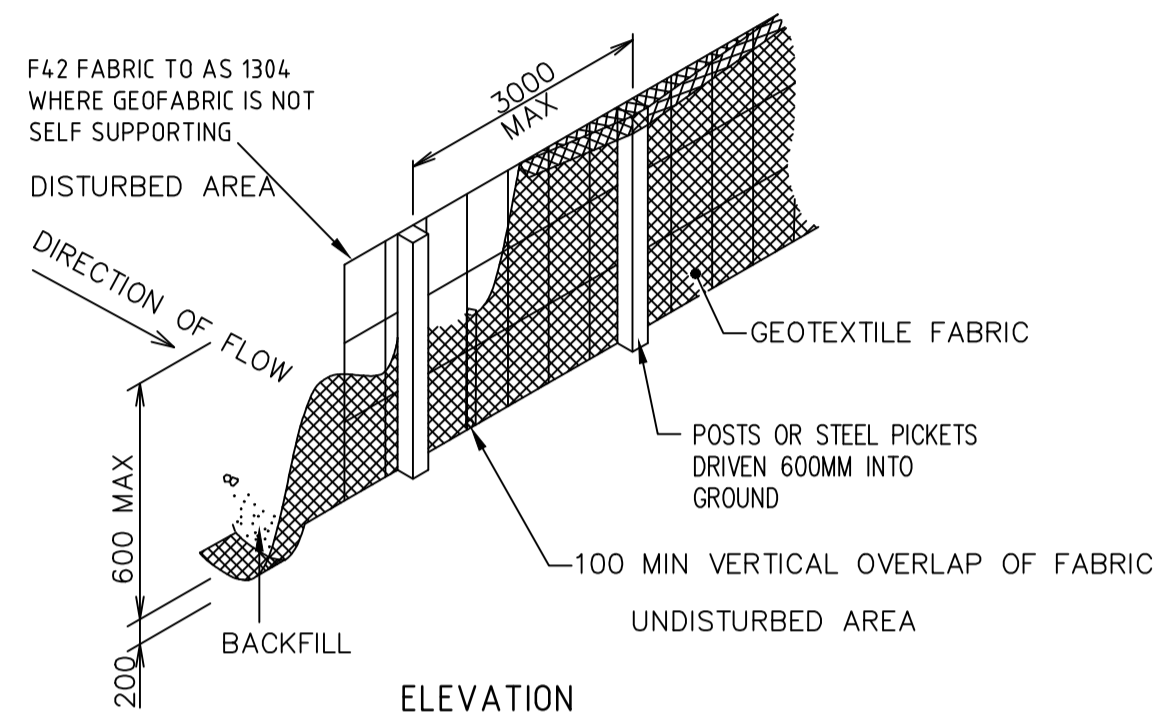
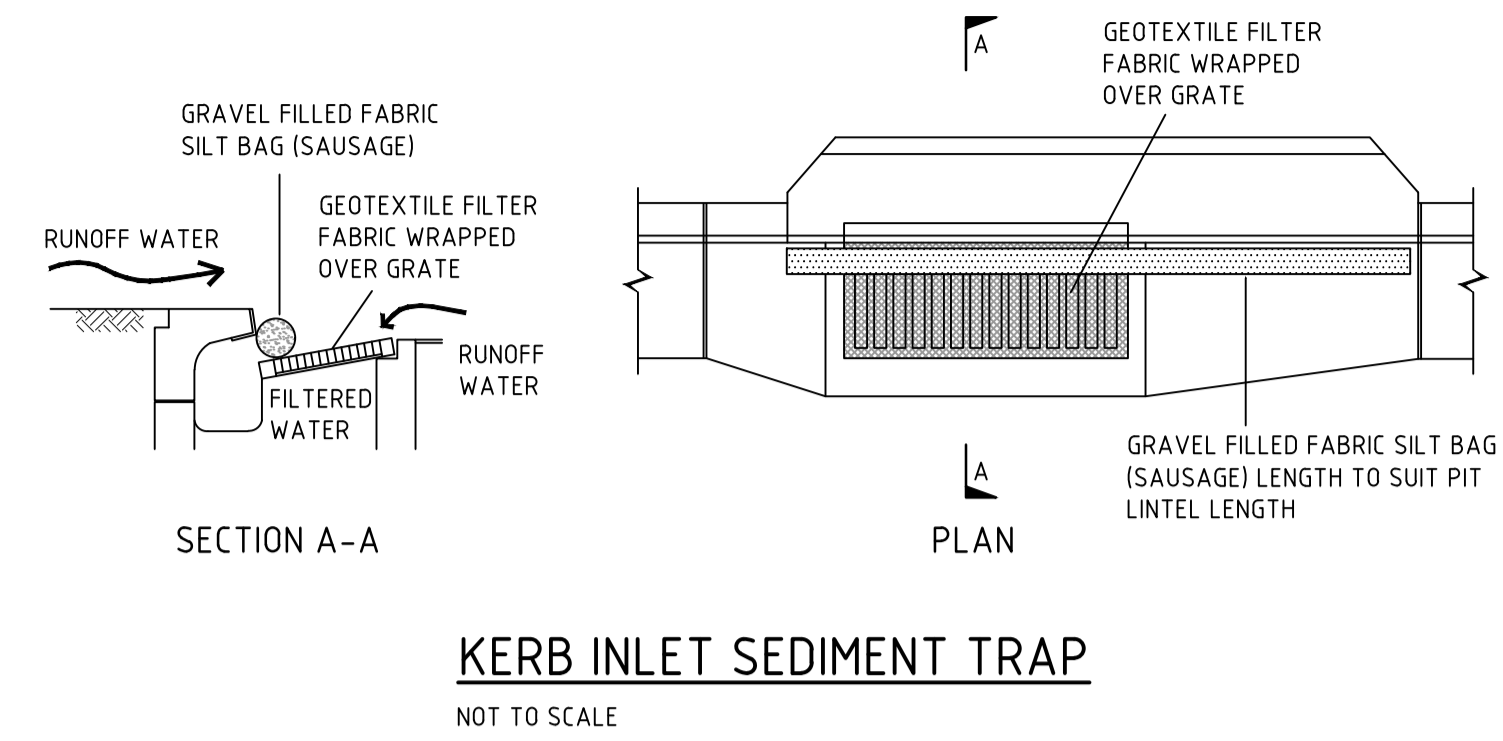
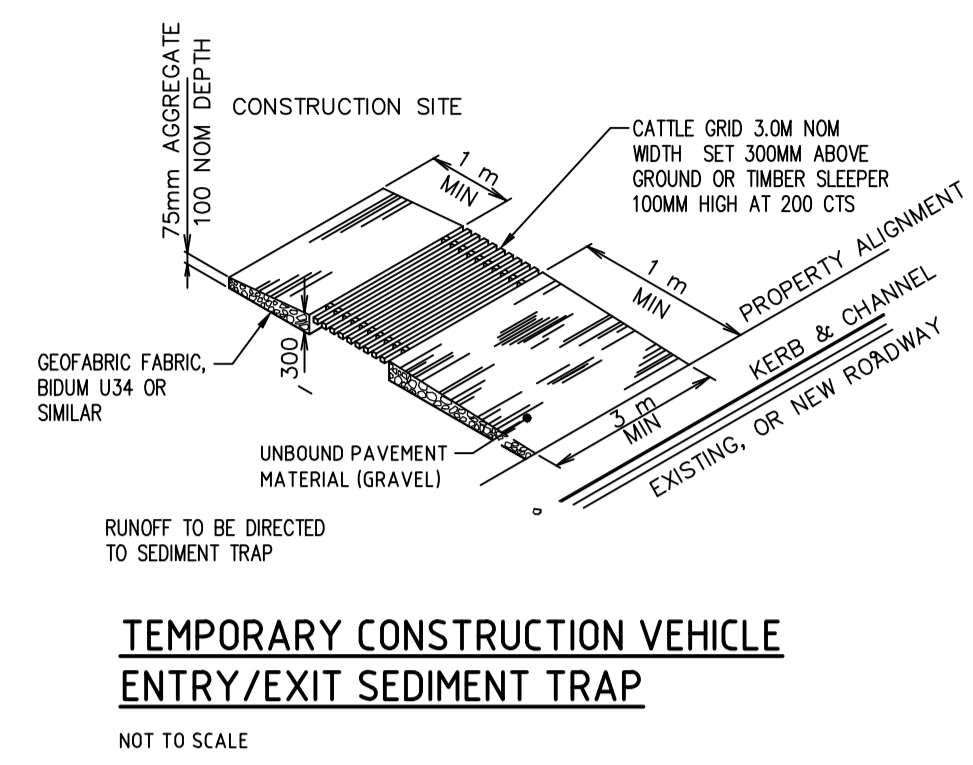
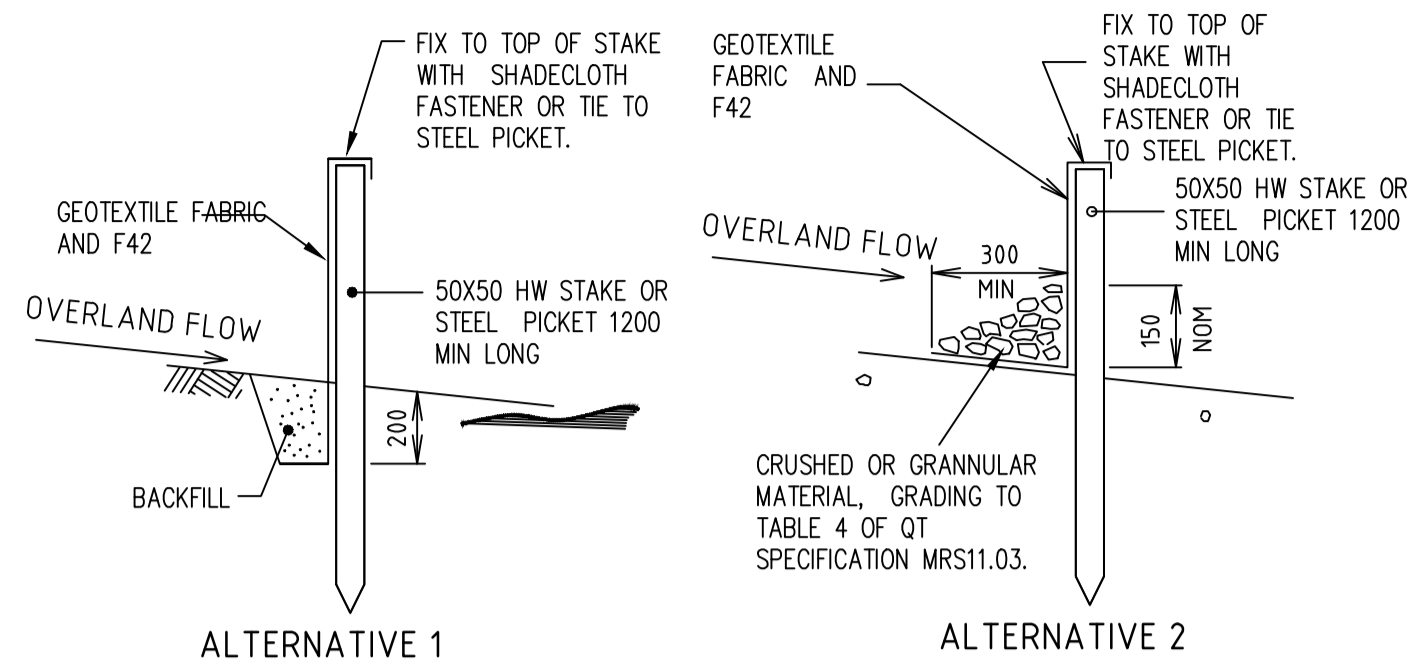
PRINTING FILE REQUIREMENTS
 DESIGN PDF FILES GENERATED FROM THIS DIGITAL FILE HAVE BEEN CONFIGURED FOR PRINTING IN COLOUR ONLY. IT IS THE RESPONSIBILITY OF THE END USER TO HAVE PLANS PRINTED IN COLOUR FORMAT SO THAT THE DESIGN INFORMATION CAN BE INTERPRETED CORRECTLY



Project Name
TARONGA ZOO - REPTILE & AMPHIBIAN CONSERVATION CENTRE

Drawing Title
SEDIMENT AND EROSION CONTROL PLAN

Designed		PO		Approved		Date		North	
Drawn	DP								
Scale	1:200	Project Ref	13087 01	Drawing No	C005	Rev	P3		
Date		Sheet	2 OF 9						



ALTERNATIVE SEDIMENT FENCE NOTES

1. INSTALL THIS TYPE OF SEDIMENT FENCE WHEN USE OF SUPPORT POSTS IS NOT DESIRABLE OR NOT POSSIBLE. SUCH CONDITIONS MIGHT APPLY, FOR EXAMPLE, WHERE APPROVAL IS GRANTED FROM THE APPROPRIATE AUTHORITIES TO PLACE THESE FENCES IN HIGHLY SENSITIVE ESTUARINE AREAS.
2. USE BENT TRENCH MESH TO SUPPORT THE F82 WELDED MESH FACING AS SHOWN ON THE DRAWING ABOVE. ATTACH THE JUTE MESH TO THE WELDED MESH FACING USING UV-RESISTANT CABLE TIES.
3. STABILISE THE WHOLE STRUCTURE WITH SANDBAG OR ROCK ANCHORING OVER THE TRENCH MESH AND THE LEADING EDGE OF THE JUTE MESH. THE ANCHORING SHOULD BE SUFFICIENTLY LARGE TO ENSURE STABILITY OF THE STRUCTURE IN THE DESIGN STORM EVENT, USUALLY THE 10 YEAR EVENT.

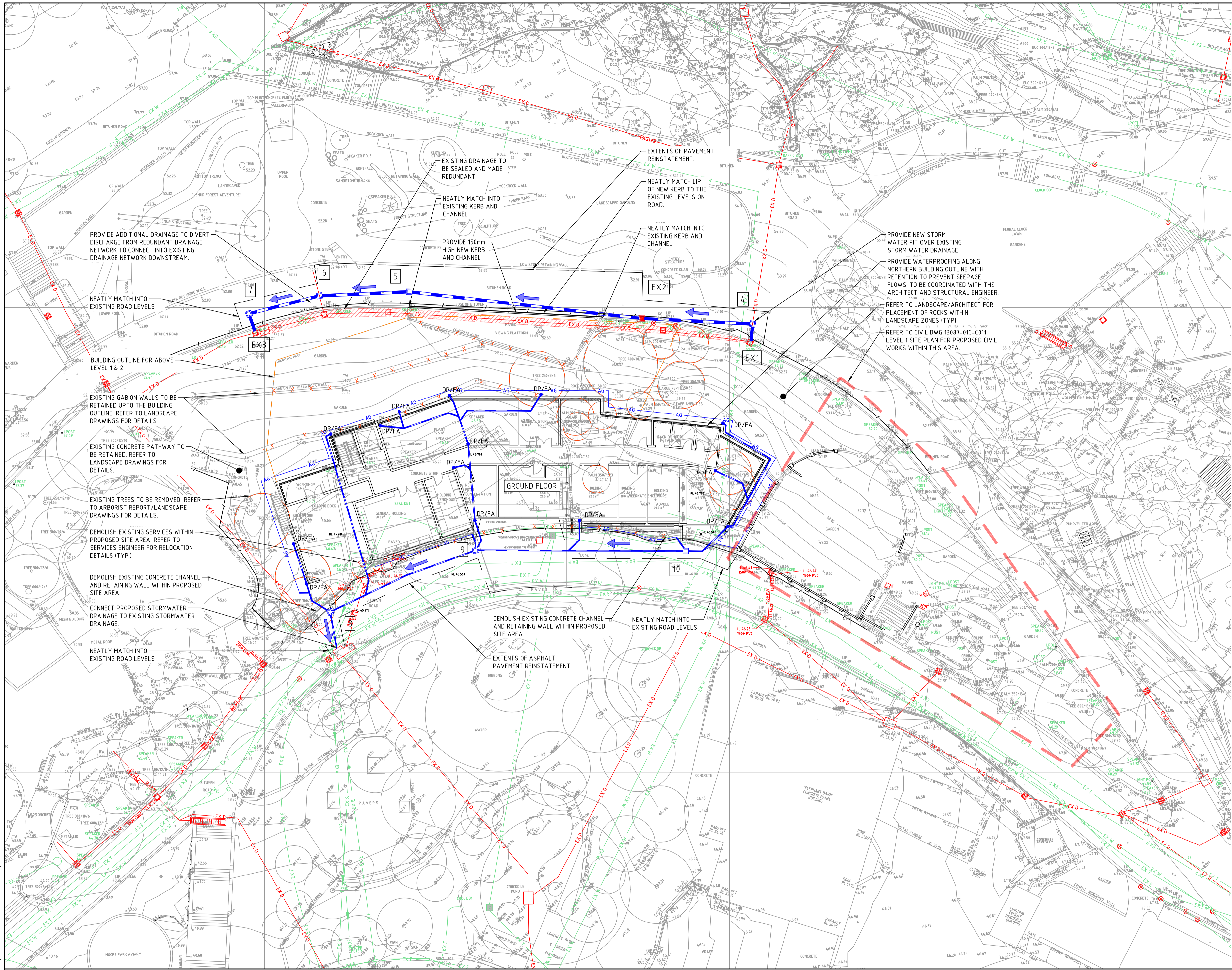
File: \\AU-SYD-FS01\Drawings\13087\0103 WIP\02 Cw\01 CAD\13087-01-C007.dwg Ploled: 05.07.21 at 4:42 PM By: Alex Piraino

Rev	Description	Date	By	App
P2	DA SUBMISSION	25.06.21	PO	GK
P1	DA DRAFT SUBMISSION	04.06.21	PO	GK



Project Name	TARONGA ZOO - REPTILE & AMPHIBIAN CONSERVATION CENTRE		
Drawing Title	SEDIMENT AND EROSION DETAILS		

DA SUBMISSION			
Designed	PQ	Approved	Date
Drawn	DP		
Scale	NOTED	Project Ref	Drawing No
Date		13087 01	C007
Sheet	3 OF 9		P2



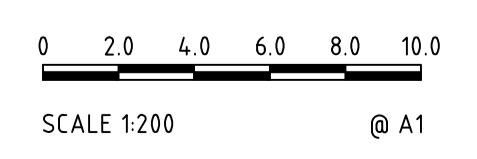
ITEM	DESCRIPTION
156.6	EXISTING SURFACE CONTOURS
156.6	PROPOSED SURFACE CONTOURS
+ 156.60	EXISTING SURFACE SPOT LEVELS
+ RL156.600	PROPOSED SURFACE SPOT LEVELS
	PROPOSED CONCRETE KERB AND CHANNEL
EX D	EXISTING STORMWATER DRAIN (SURVEYED)
225φ	PROPOSED STORMWATER DRAIN
	SYPHONIC CONNECTION (REFER HYDRAULIC ENGINEERS DRG'S)
AG	90 DIAMETER UPVC AGRICULTURAL DRAIN
	EXISTING STORMWATER PIT
	EXISTING STORMWATER PIT TO BE MODIFIED
	PROPOSED (JUNCTION/SIDE ENTRY) STORMWATER PIT
	PROPOSED GRATED STORMWATER PIT
GI	100φ GRATED INLET UNLESS NOTED OTHERWISE
DP	DOWNPIPE (PLAN LOCATION)
X-X	EXISTING FEATURES TO BE REMOVED
	300mm SPOON DRAIN UNLESS NOTED OTHERWISE
EX S	SEWER - DIAL BEFORE YOU DIG
EX G	GAS - DIAL BEFORE YOU DIG
EX W	WATER - DIAL BEFORE YOU DIG
EX E	ELECTRICITY - DIAL BEFORE YOU DIG
EX EO/H	OVERHEAD ELECTRICITY - DIAL BEFORE YOU DIG
EX T	TELECOM CABLE - DIAL BEFORE YOU DIG
EX FO	OPTIC CABLE - DIAL BEFORE YOU DIG

ALL EXISTING PROPERTY SERVICES' LOCATIONS AND DEPTHS ARE APPROXIMATE AND MUST BE VERIFIED ON SITE. THE CONTRACTOR SHOULD SUPPLY PRECISE LOCATIONS AND DEPTHS TO THE ENGINEER FOR REVIEW PRIOR TO ANY WORKS THAT MAY AFFECT THESE SERVICES.

WARNING
BEWARE OF UNDERGROUND SERVICES
 THE LOCATIONS OF UNDERGROUND SERVICES ARE APPROXIMATE ONLY AND THEIR EXACT POSITION SHOULD BE PROVEN ON SITE. NO GUARANTEE IS GIVEN THAT ALL EXISTING SERVICES ARE SHOWN.

COPYRIGHT
 These drawings, plans and specifications and the copyright therein are the property of Meinhardt-Bonacci and must not be used, reproduced or copied wholly or in part without the written permission of Meinhardt-Bonacci.

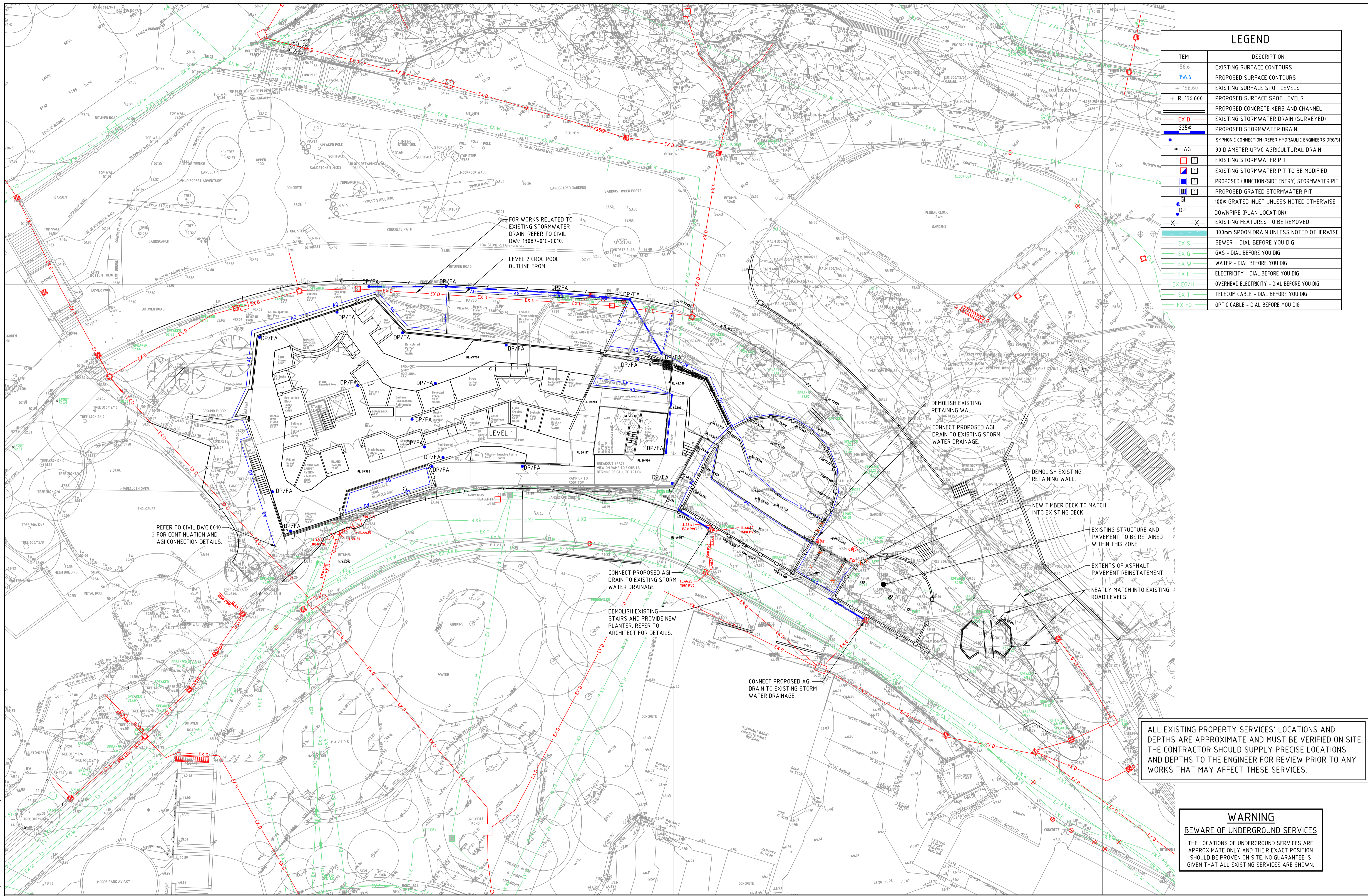
Rev	Description	Date	By	App
P2	DA SUBMISSION	26.06.21	PO	GK
P1	DA DRAFT SUBMISSION	04.06.21	PO	GK



Project Name
TARONGA ZOO - REPTILE & AMPHIBIAN CONSERVATION CENTRE

Drawing Title
CIVIL SITE WORKS PLAN GROUND FLOOR

Designed		PO		Approved		Date		North	
Drawn	DP	Scale	NOTED	Project Ref	13087 01	Drawing No	C010	Rev	P2
Date		Sheet	4 OF 9						



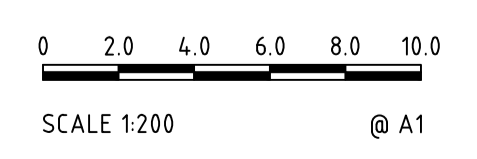
ITEM	DESCRIPTION
156.6	EXISTING SURFACE CONTOURS
156.6	PROPOSED SURFACE CONTOURS
+ 156.600	EXISTING SURFACE SPOT LEVELS
+ RL156.600	PROPOSED SURFACE SPOT LEVELS
	PROPOSED CONCRETE KERB AND CHANNEL
EX D	EXISTING STORMWATER DRAIN (SURVEYED)
225φ	PROPOSED STORMWATER DRAIN
	SYPHONIC CONNECTION (REFER HYDRAULIC ENGINEERS DRG'S)
AG	90 DIAMETER UPVC AGRICULTURAL DRAIN
	EXISTING STORMWATER PIT
	EXISTING STORMWATER PIT TO BE MODIFIED
	PROPOSED (JUNCTION/SIDE ENTRY) STORMWATER PIT
	PROPOSED GRATED STORMWATER PIT
GI	100φ GRATED INLET UNLESS NOTED OTHERWISE
DP	DOWNPIPE (PLAN LOCATION)
X	EXISTING FEATURES TO BE REMOVED
	300mm SPOON DRAIN UNLESS NOTED OTHERWISE
EX S	SEWER - DIAL BEFORE YOU DIG
EX G	GAS - DIAL BEFORE YOU DIG
EX W	WATER - DIAL BEFORE YOU DIG
EX E	ELECTRICITY - DIAL BEFORE YOU DIG
EX EO/H	OVERHEAD ELECTRICITY - DIAL BEFORE YOU DIG
EX T	TELECOM CABLE - DIAL BEFORE YOU DIG
EX FO	OPTIC CABLE - DIAL BEFORE YOU DIG

ALL EXISTING PROPERTY SERVICES' LOCATIONS AND DEPTHS ARE APPROXIMATE AND MUST BE VERIFIED ON SITE. THE CONTRACTOR SHOULD SUPPLY PRECISE LOCATIONS AND DEPTHS TO THE ENGINEER FOR REVIEW PRIOR TO ANY WORKS THAT MAY AFFECT THESE SERVICES.

WARNING
BEWARE OF UNDERGROUND SERVICES
 THE LOCATIONS OF UNDERGROUND SERVICES ARE APPROXIMATE ONLY AND THEIR EXACT POSITION SHOULD BE PROVEN ON SITE. NO GUARANTEE IS GIVEN THAT ALL EXISTING SERVICES ARE SHOWN.

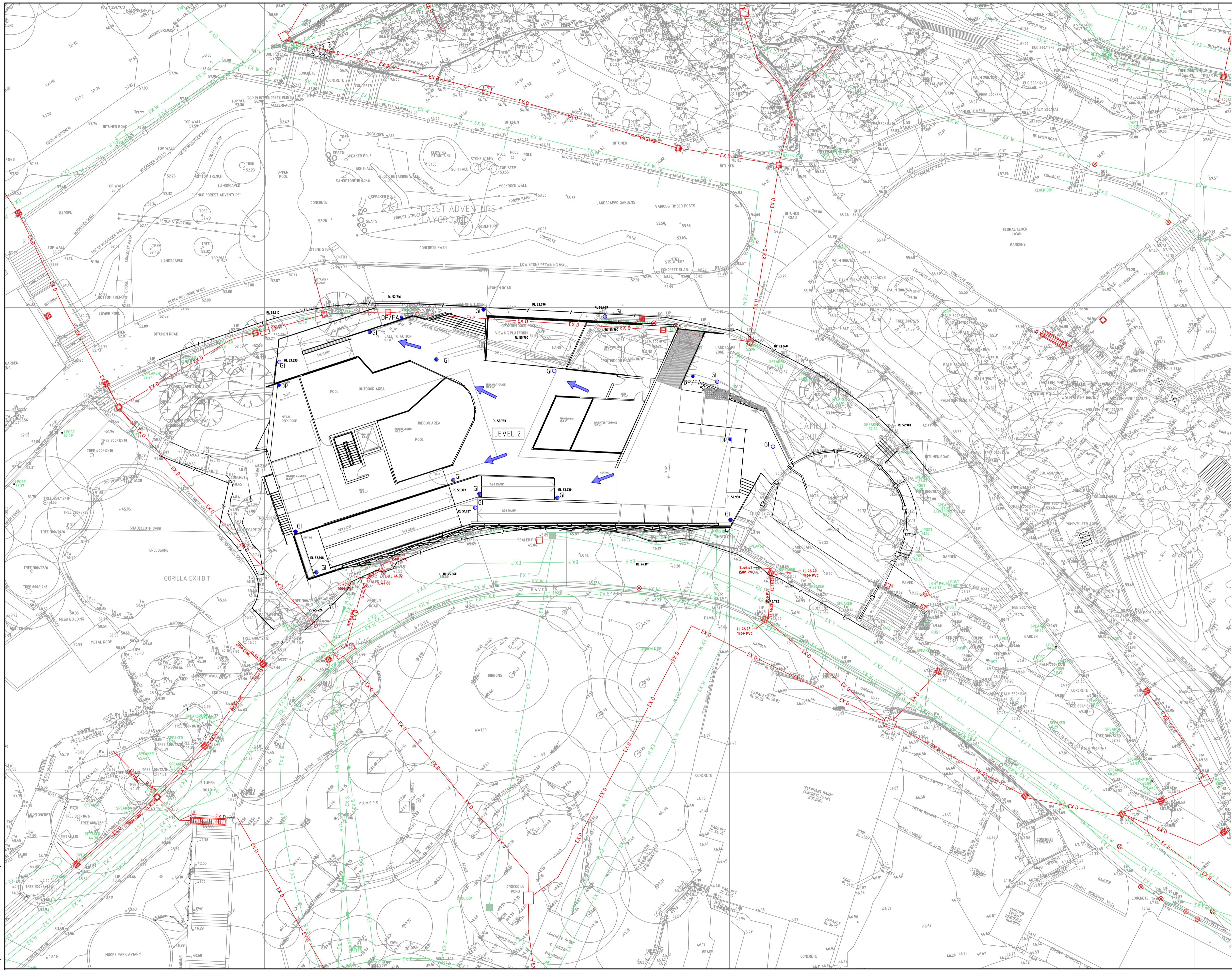
Copyright: These drawings, plans and specifications and the copyright therein are the property of Meinhardt-Bonacci and must not be used, reproduced or copied wholly or in part without the written permission of Meinhardt-Bonacci.

Rev	Description	Date	By	App
P2	DA SUBMISSION	25.06.21	PO	GK
P1	DA DRAFT SUBMISSION	04.06.21	PO	GK



Project Name: **TARONGA ZOO - REPTILE & AMPHIBIAN CONSERVATION CENTRE**
 Drawing Title: **CIVIL SITE WORKS PLAN LEVEL 1**

Designed		PO		Approved		Date		North	
Drawn	DP	Scale	NOTED	Project Ref	13087 01	Drawing No	C011	Rev	P2
Date	5 OF 9	Sheet							



ITEM	DESCRIPTION
156.6	EXISTING SURFACE CONTOURS
156.6	PROPOSED SURFACE CONTOURS
+ 156.600	EXISTING SURFACE SPOT LEVELS
+ RL156.600	PROPOSED SURFACE SPOT LEVELS
---	PROPOSED CONCRETE KERB AND CHANNEL
EX D	EXISTING STORMWATER DRAIN (SURVEYED)
225φ	PROPOSED STORMWATER DRAIN
---	SYPHONIC CONNECTION (REFER HYDRAULIC ENGINEERS DRG'S)
AG	90 DIAMETER UPVC AGRICULTURAL DRAIN
□	EXISTING STORMWATER PIT
□	EXISTING STORMWATER PIT TO BE MODIFIED
□	PROPOSED (JUNCTION/SIDE ENTRY) STORMWATER PIT
□	PROPOSED GRATED STORMWATER PIT
GI	100φ GRATED INLET UNLESS NOTED OTHERWISE
DP	DOWNPIPE (PLAN LOCATION)
X	EXISTING FEATURES TO BE REMOVED
---	300mm SPOON DRAIN UNLESS NOTED OTHERWISE
EX S	SEWER - DIAL BEFORE YOU DIG
EX G	GAS - DIAL BEFORE YOU DIG
EX W	WATER - DIAL BEFORE YOU DIG
EX E	ELECTRICITY - DIAL BEFORE YOU DIG
EX EO/H	OVERHEAD ELECTRICITY - DIAL BEFORE YOU DIG
EX T	TELECOM CABLE - DIAL BEFORE YOU DIG
EX FO	OPTIC CABLE - DIAL BEFORE YOU DIG

ALL EXISTING PROPERTY SERVICES' LOCATIONS AND DEPTHS ARE APPROXIMATE AND MUST BE VERIFIED ON SITE. THE CONTRACTOR SHOULD SUPPLY PRECISE LOCATIONS AND DEPTHS TO THE ENGINEER FOR REVIEW PRIOR TO ANY WORKS THAT MAY AFFECT THESE SERVICES.

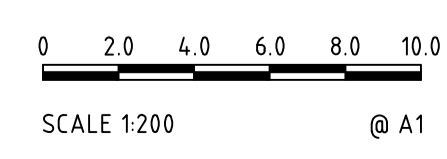
WARNING
BEWARE OF UNDERGROUND SERVICES

THE LOCATIONS OF UNDERGROUND SERVICES ARE APPROXIMATE ONLY AND THEIR EXACT POSITION SHOULD BE PROVEN ON SITE. NO GUARANTEE IS GIVEN THAT ALL EXISTING SERVICES ARE SHOWN.

File: \\AU-SYD-FS01\Drawings\13087\0103 WIP\02 Civi\01 CAD\13087-01-C012.dwg Plotted: 05/07/21 at 4:16 PM By: Alex Platano

COPYRIGHT: All rights reserved. These drawings, plans and specifications and the copyright therein are the property of Meinhardt-Bonacci and must not be used, reproduced or copied wholly or in part without the written permission of Meinhardt-Bonacci.

Rev	Description	Date	By	App
P2	DA SUBMISSION	25.06.21	PO	GK
P1	DA DRAFT SUBMISSION	04.06.21	PO	GK



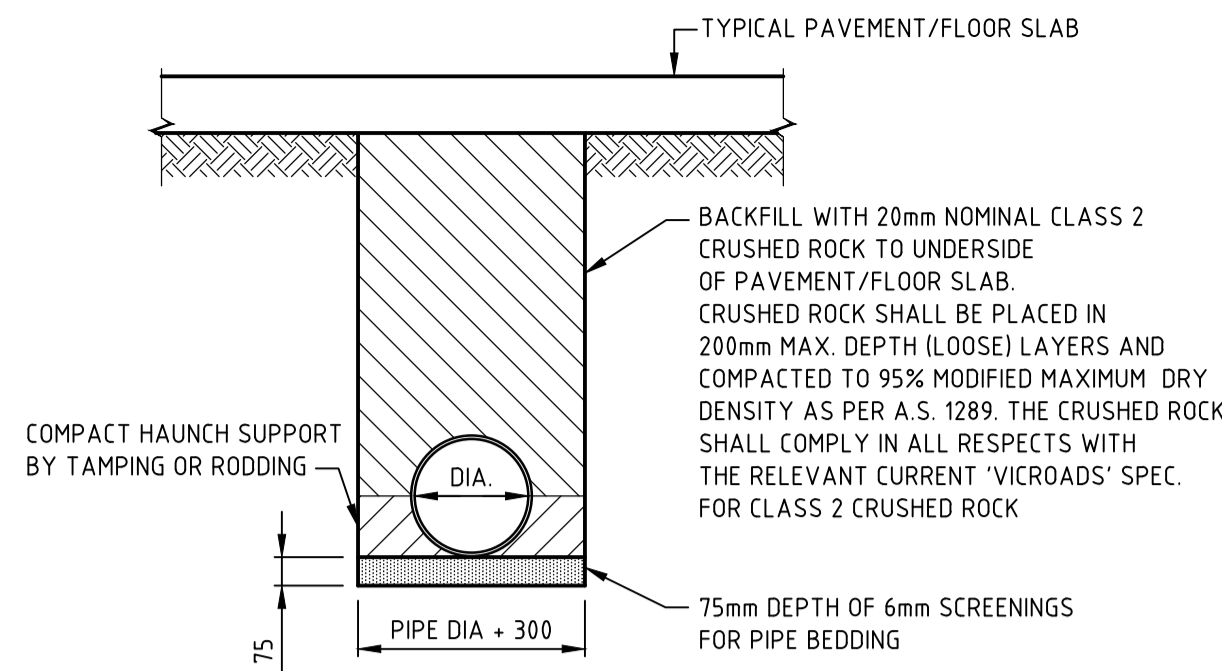
MEINHARDT BONACCI

Level 4, 66 Clarence Street
Sydney NSW 2000
Australia
T: +61 2 9699 3088
F: +61 2 9219 7516
info@meinhardt-bonacci.com
www.meinhardt-bonacci.com
© Copyright

Project Name: **TARONGA ZOO - REPTILE & AMPHIBIAN CONSERVATION CENTRE**

Drawing Title: **CIVIL SITE WORKS PLAN LEVEL 2**

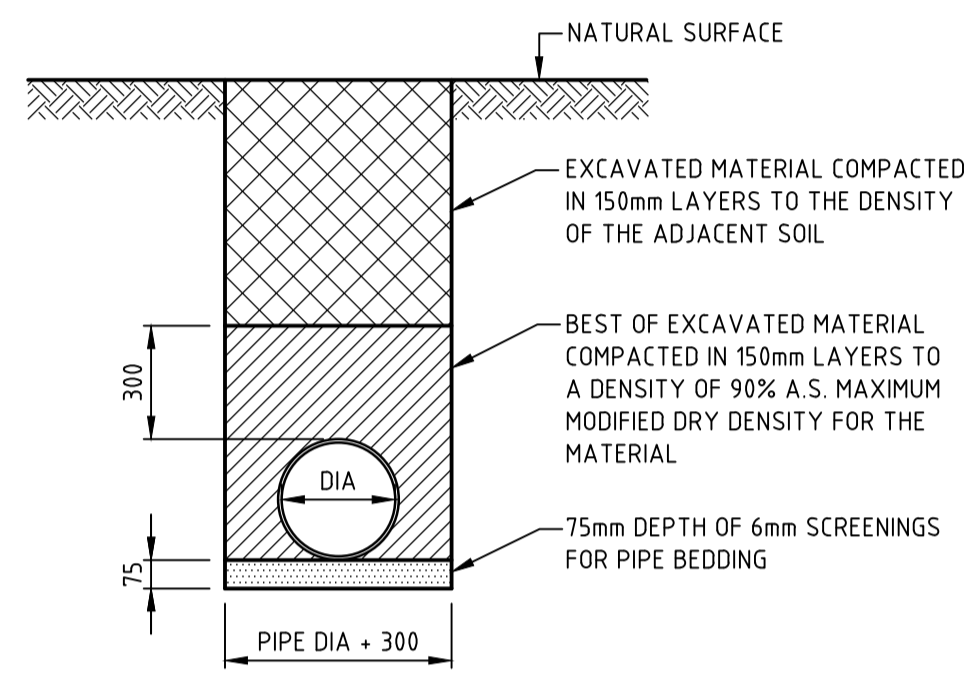
DA SUBMISSION		Date		North
Designed	PO	Approved		North
Drawn	DP			
Scale	NOTED			
Date		Project Ref	Drawing No	Rev
Sheet	6 OF 9	13087 01	C012	P2



NOTE:
AVOID RUNNING CONSTRUCTION EQUIPMENT OVER THE PIPES
UNTIL BACKFILL MATERIAL IS 300mm MIN. ABOVE CROWN OF PIPE.

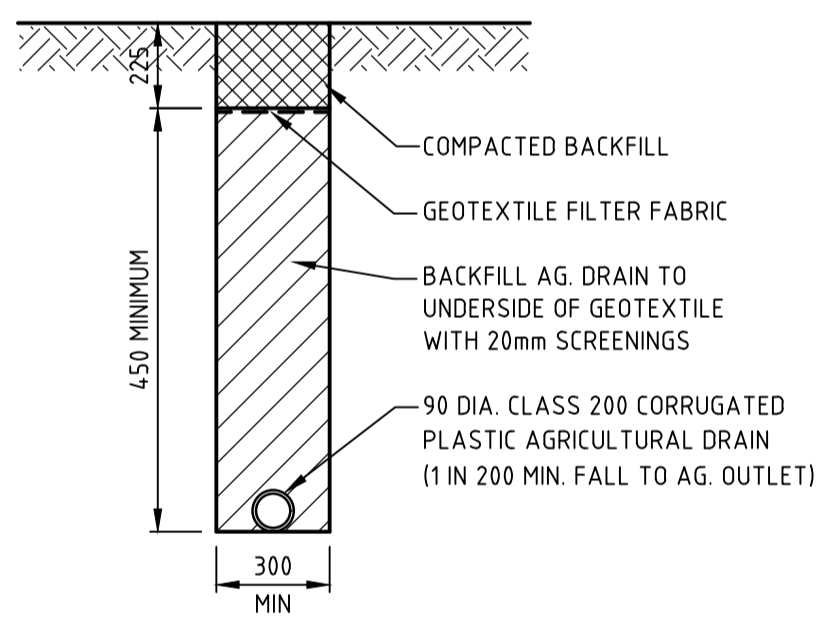
PIPE LAYING DETAILS

UNDER ALL PAVEMENTS/FLOORS
N.T.S.



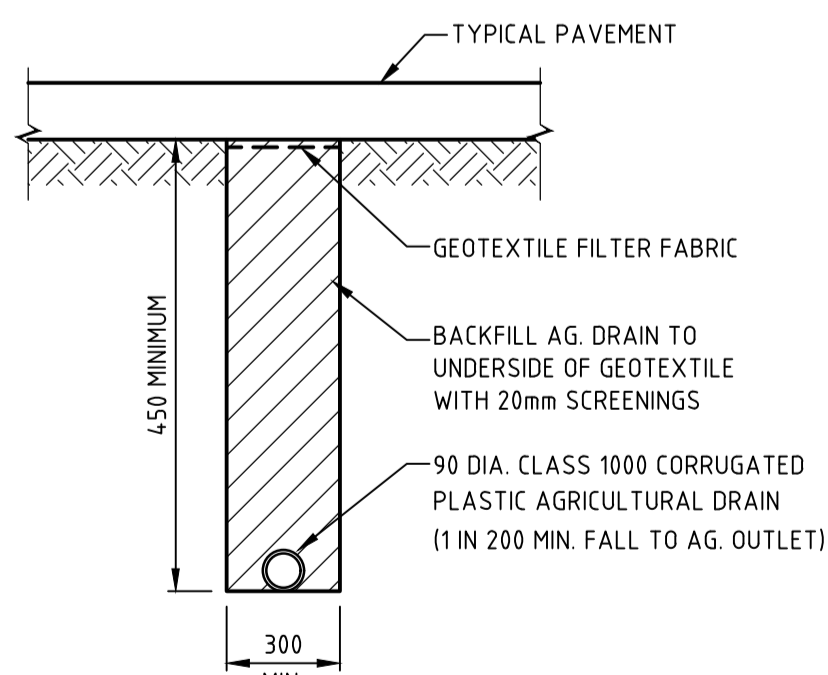
PIPE LAYING DETAILS (ALL PIPES)

UNDER LANDSCAPED AREAS
N.T.S.



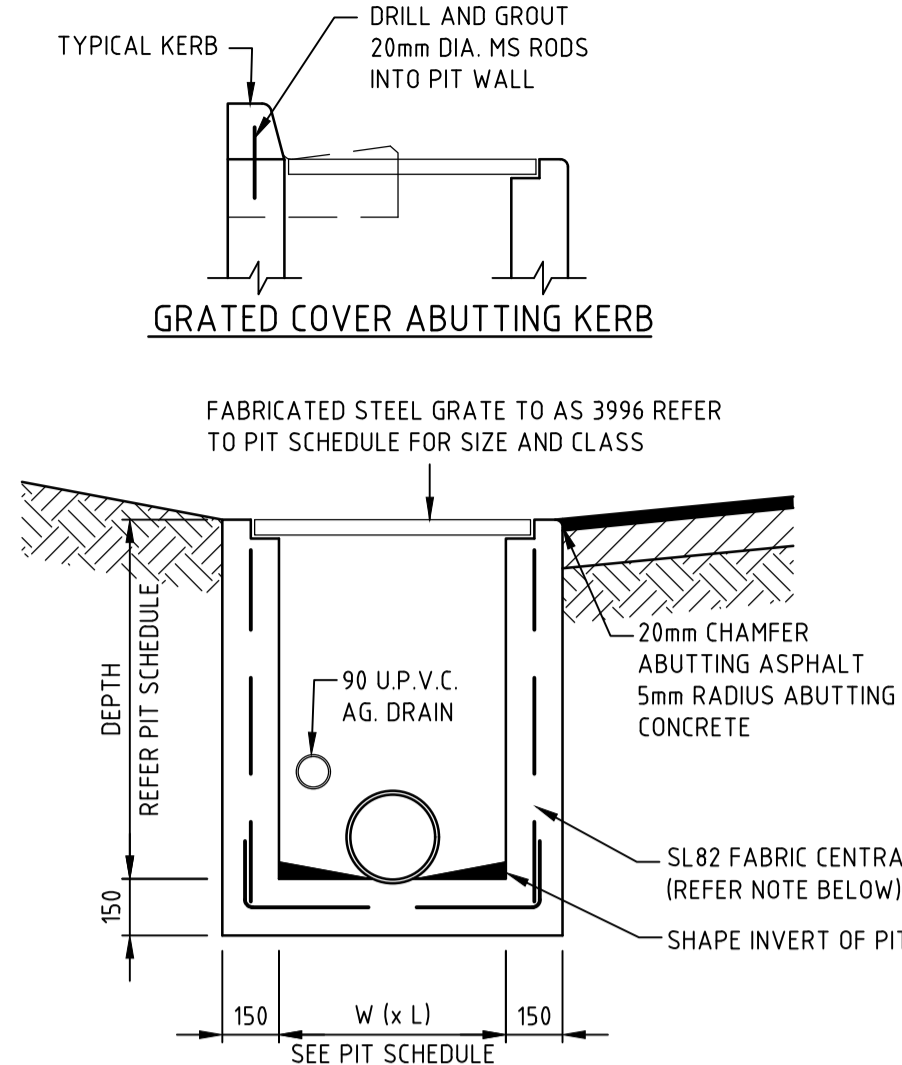
AG. PIPE LAYING DETAILS

UNDER LANDSCAPED AREAS
N.T.S.



AG. PIPE LAYING DETAILS

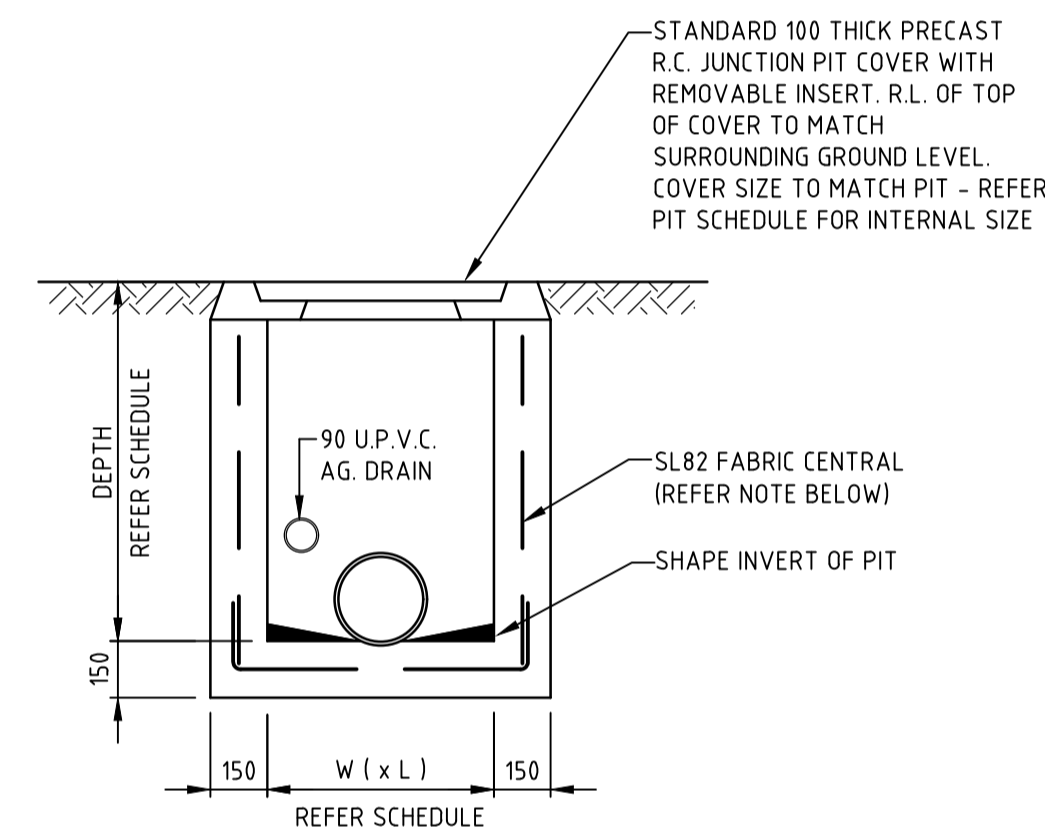
UNDER PAVED AREAS
N.T.S.



- NOTES:
1. PROVIDE 600mm LENGTH OF 90mm DIA. AGRICULTURAL PIPE CAST THROUGH UPSTREAM WALL OF PIT WITH GEOTEXTILE OR SIMILAR FILTER OVER.
 2. REINFORCEMENT NOT REQUIRED IF DEPTH OF PIT IS LESS THAN 1000mm.
 3. PROVIDE STEP IRONS AT 300mm MAX. CTS. IF DEPTH OF PIT EXCEEDS 1000mm
 4. PRECAST PITS ARE TO GENERALLY COMPLY WITH THESE DETAILS.

GRADED PIT DETAIL

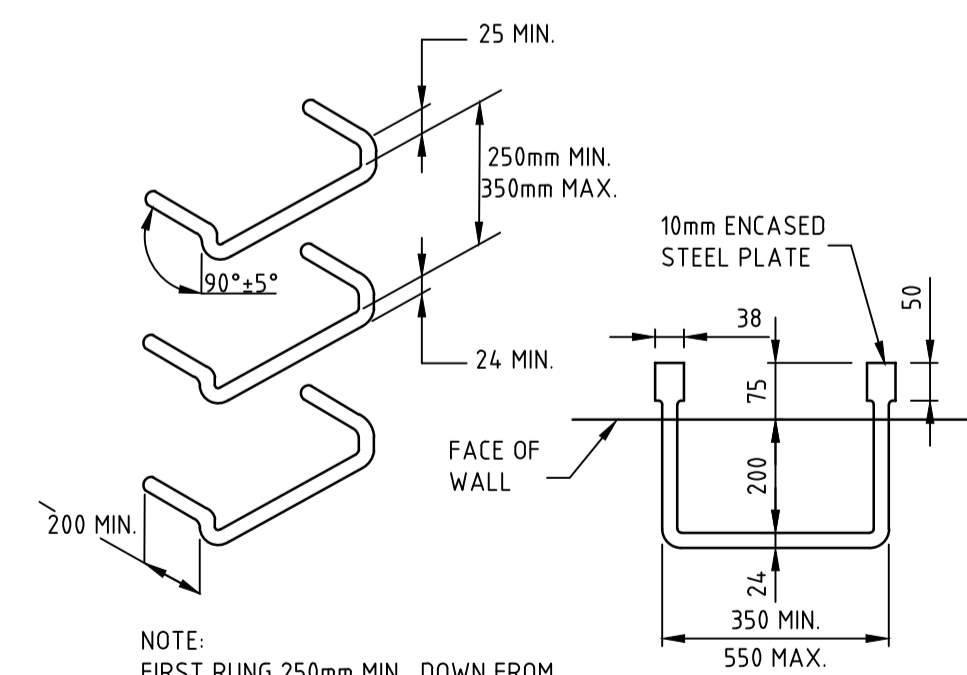
N.T.S.



- NOTES:
1. PROVIDE 600mm LENGTH OF 90mm DIA. AGRICULTURAL PIPE CAST THROUGH UPSTREAM WALL OF PIT WITH GEOTEXTILE OR SIMILAR FILTER OVER.
 2. REINFORCEMENT NOT REQUIRED IF DEPTH OF PIT IS LESS THAN 1000mm.
 3. PROVIDE STEP IRONS AT 300mm MAX. CTS. IF DEPTH OF PIT EXCEEDS 1000mm
 4. PRECAST PITS ARE TO GENERALLY COMPLY WITH THESE DETAILS.

JUNCTION PIT (R.C. COVER)

N.T.S.

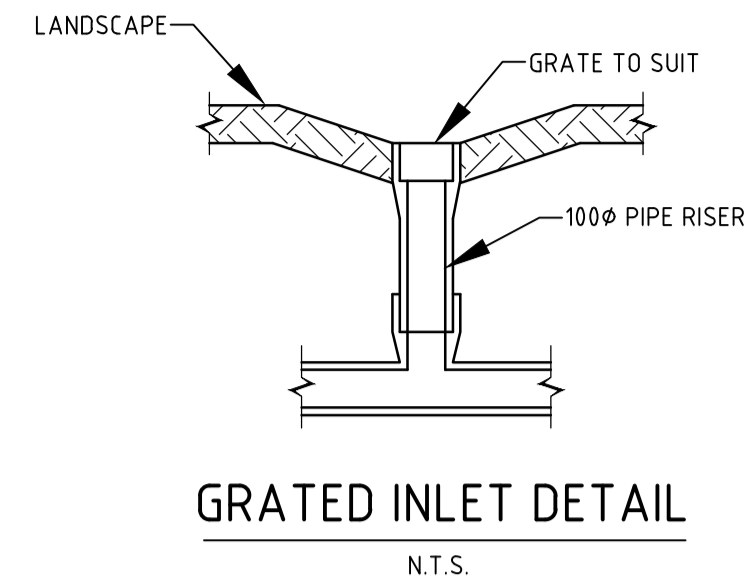


NOTE:
FIRST RUNG 250mm MIN. DOWN FROM TOP, THEN SPACED NO GREATER THAN 350mm MAX.
VERTICAL RISE DOES NOT EXCEED 6m IN ACCORDANCE WITH AS1657.

MATERIAL : 24mm DIA MILD STEEL HEAVY GALVANIZED

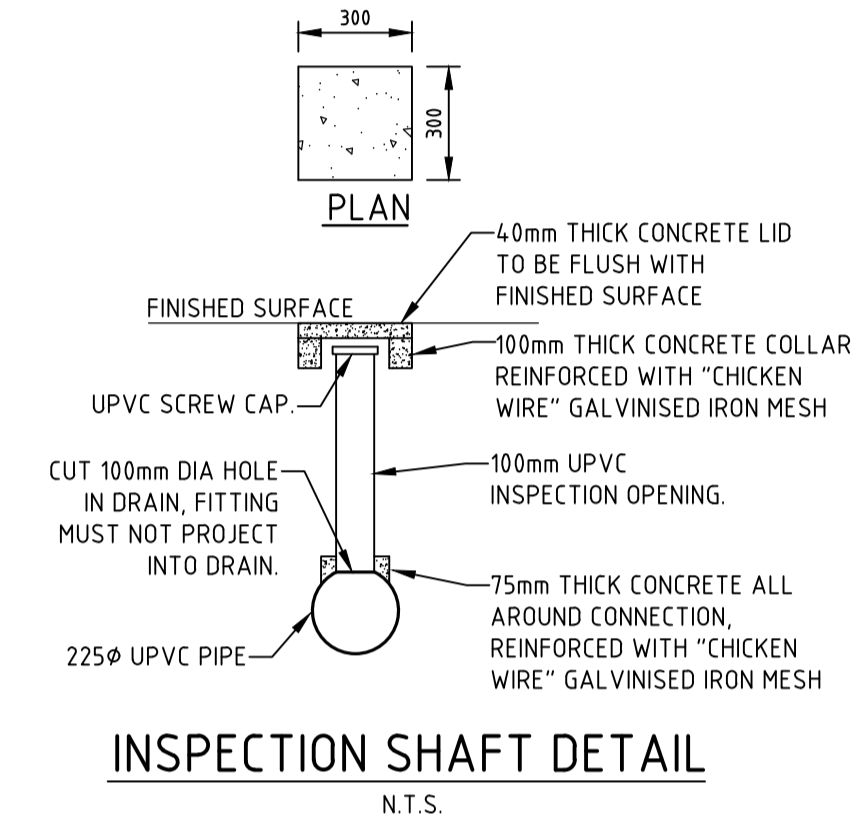
STEP IRONS FOR DRAINAGE PITS

N.T.S.



GRADED INLET DETAIL

N.T.S.



INSPECTION SHAFT DETAIL

N.T.S.

File: \\AU-SYD-FS01\Drawings\130670\103 WIP\02 CIV\01 CAD\13087-01-C030.dwg Plotted: 05/07/21 at 4:47 PM By: Alex Platano

COPYRIGHT		All rights reserved.	
These drawings, plans and specifications and the copyright therein are the property of Meinhardt-Bonacci and must not be used, reproduced or copied wholly or in part without the written permission of Meinhardt-Bonacci.			
Rev	Description	Date	By App
P2	DA SUBMISSION	25.06.21	PO GK
P1	DA DRAFT SUBMISSION	04.06.21	PO GK

Rev	Description	Date	By App



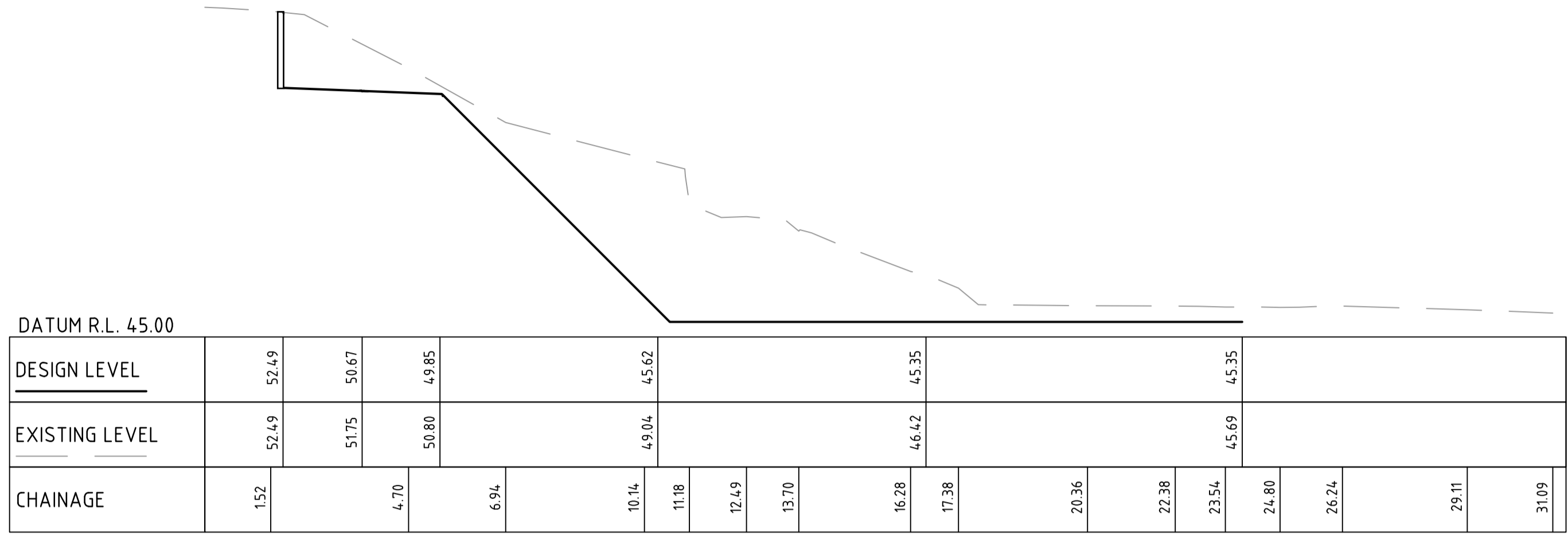
Level 4, 66 Clarence Street
Sydney NSW 2000
Australia
T: +61 2 9699 3088
F: +61 2 9319 7518
info@meinhardt-bonacci.com
© Copyright

Project Name	TARONGA ZOO - REPTILE & AMPHIBIAN CONSERVATION CENTRE		
Drawing Title	CIVIL DETAILS		

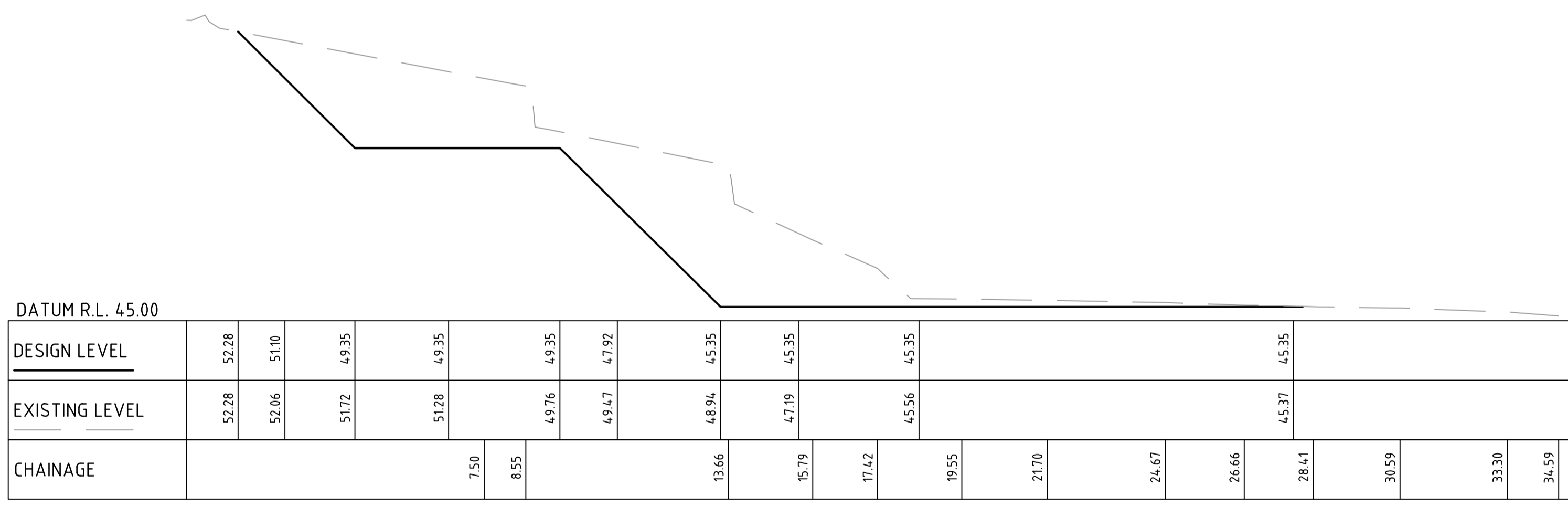
DA SUBMISSION

Designed	PO	Approved	Date	North
Drawn	DP			
Scale	NOTED	Project Ref	Drawing No	Rev
Date		13087 01	C030	P2
Sheet	7 OF 9			

File: \\AU-SYD-FS01\Drawings\13087\03 WIP\02 CIV\01 CAD\13087-01-C050.dwg Plotted: 01/07/21 at 12:31 PM By: Alex Platano



LONGITUDINAL SECTION SECTION B
 SCALES: HORIZONTAL 1:100 VERTICAL 1:100



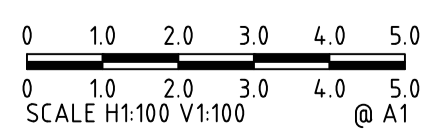
LONGITUDINAL SECTION SECTION A
 SCALES: HORIZONTAL 1:100 VERTICAL 1:100

COPYRIGHT
 These drawings, plans and specifications and the copyright therein are the property of Meinhardt-Bonacci and must not be used, reproduced or copied wholly or in part without the written permission of Meinhardt-Bonacci.

PI	DA DRAFT SUBMISSION	01/07/21	PO	GK
Rev	Description	Date	By	App

Rev	Description	Date	By	App
-----	-------------	------	----	-----

PRINTING FILE REQUIREMENTS
 DESIGN PDF FILES GENERATED FROM THIS DIGITAL FILE HAVE BEEN CONFIGURED FOR PRINTING IN COLOUR ONLY. IT IS THE RESPONSIBILITY OF THE END USER TO HAVE PLANS PRINTED IN COLOUR FORMAT SO THAT THE DESIGN INFORMATION CAN BE INTERPRETED CORRECTLY



Project Name
TARONGA ZOO - REPTILE & AMPHIBIAN CONSERVATION CENTRE

Drawing Title
BULK EARTHWORKS SITE SECTIONS

DA DRAFT SUBMISSION

Designed	PQ	Approved	Date	North
Drawn	DP			
Scale	NOTED	Project Ref	Drawing No	Rev
Date	9 OF 9	13087 01	C051	P1