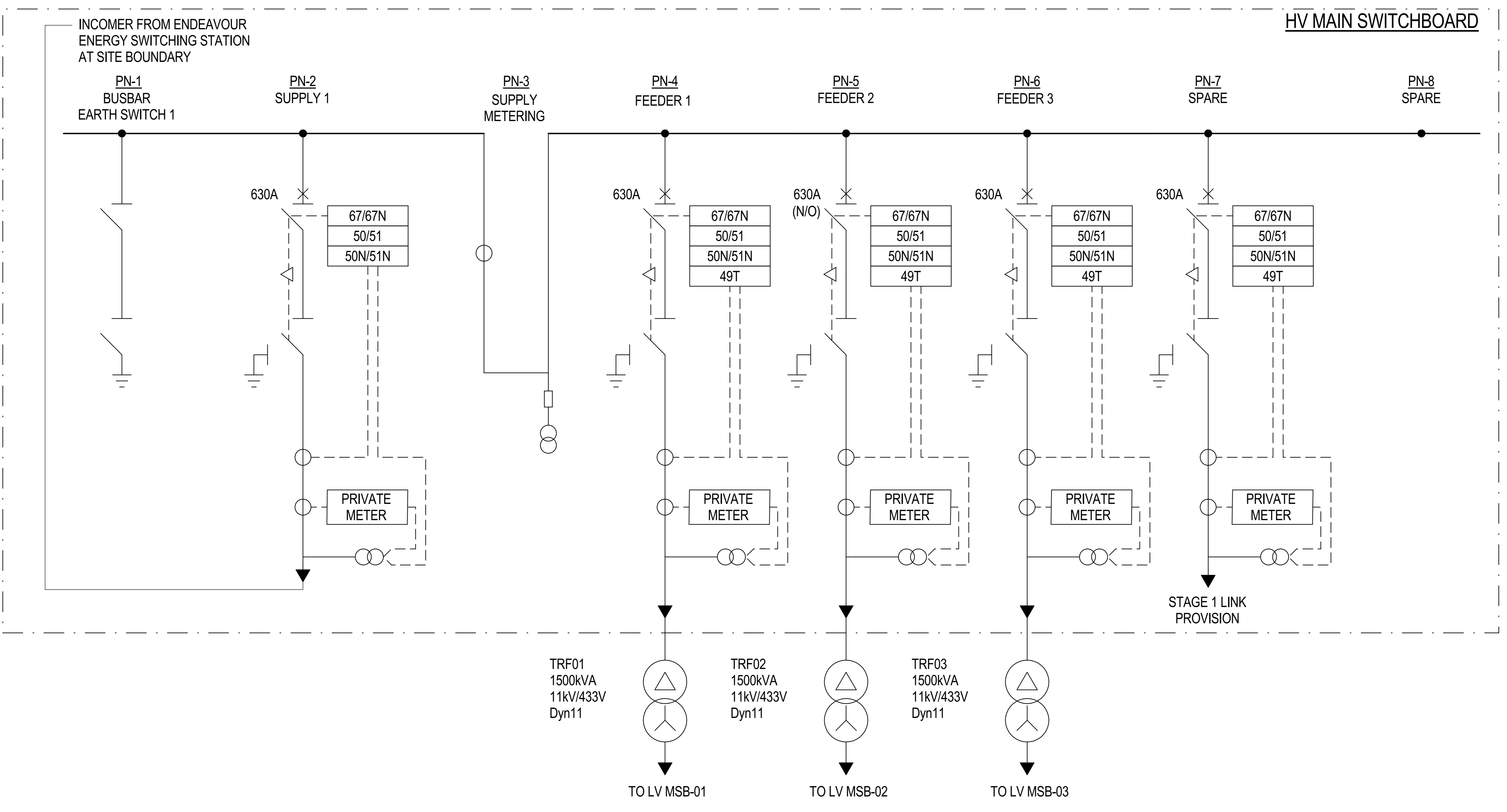




**INTELLECTUAL PROPERTY**  
COPYRIGHT JHA ARCHITECTURE PTY LIMITED. UNLESS OTHERWISE SPECIFIED IN WRITING, ALL RIGHTS IN THIS DOCUMENT ARE RESERVED TO JHA ARCHITECTURE PTY LIMITED. THIS DOCUMENT IS THE PROPERTY OF JHA ARCHITECTURE PTY LIMITED AND IS NOT TO BE REPRODUCED, COPIED, OR TRANSMITTED IN ANY FORM OR BY ANY MEANS, WITHOUT THE WRITTEN PERMISSION OF JHA ARCHITECTURE PTY LIMITED. ANY UNAUTHORIZED USE OF THIS DOCUMENT IS STRICTLY PROHIBITED AND WILL BE PROSECUTED TO THE FULL EXTENT OF THE LAW.

**NOTE**  
CONTRACTOR TO CHECK AND VERIFY ALL DIMENSIONS ON SITE PRIOR TO COMMENCEMENT OF WORK OR PREPARATION OF SHOP DRAWINGS. DO NOT SCALE THIS DRAWING.

ISSUE	DATE	FOR
A	12/02/21	10% SCHEMATIC DESIGN
B	23/04/21	100% SCHEMATIC DESIGN



**PROJECT**  
NEPEAN HOSPITAL - STAGE 2

**DERBY ST KINGSWOOD NSW 2747**  
**NEPEAN**  
PROJECT NUMBER  
200105

TRUE NORTH PROJECT NORTH

**SCALE**  
N.T.S. @A0 DO NOT SCALE  
0 1000 4000 8000  
1:200mm

DESIGNED BY: CP CHECKED BY: UK  
DESIGNED BY: UK APPROVED BY: JH  
STATUS  
SCHEMATIC DESIGN  
DRAWING

**PROPOSED STAGE 2 HIGH VOLTAGE (HV) SINGLE LINE DIAGRAM**

DRAWING NUMBER: NHR-JHA-DRW-ELE TB2-20S-NL00003 ISSUE: B