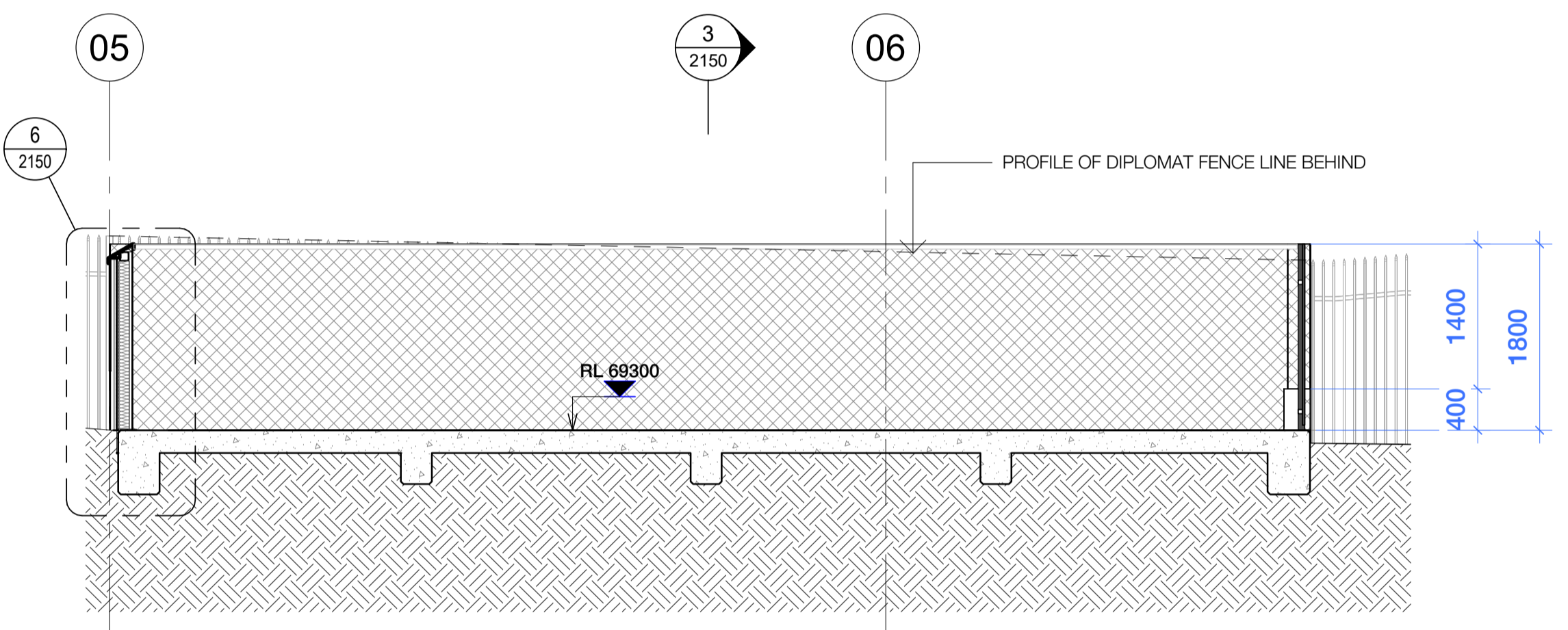
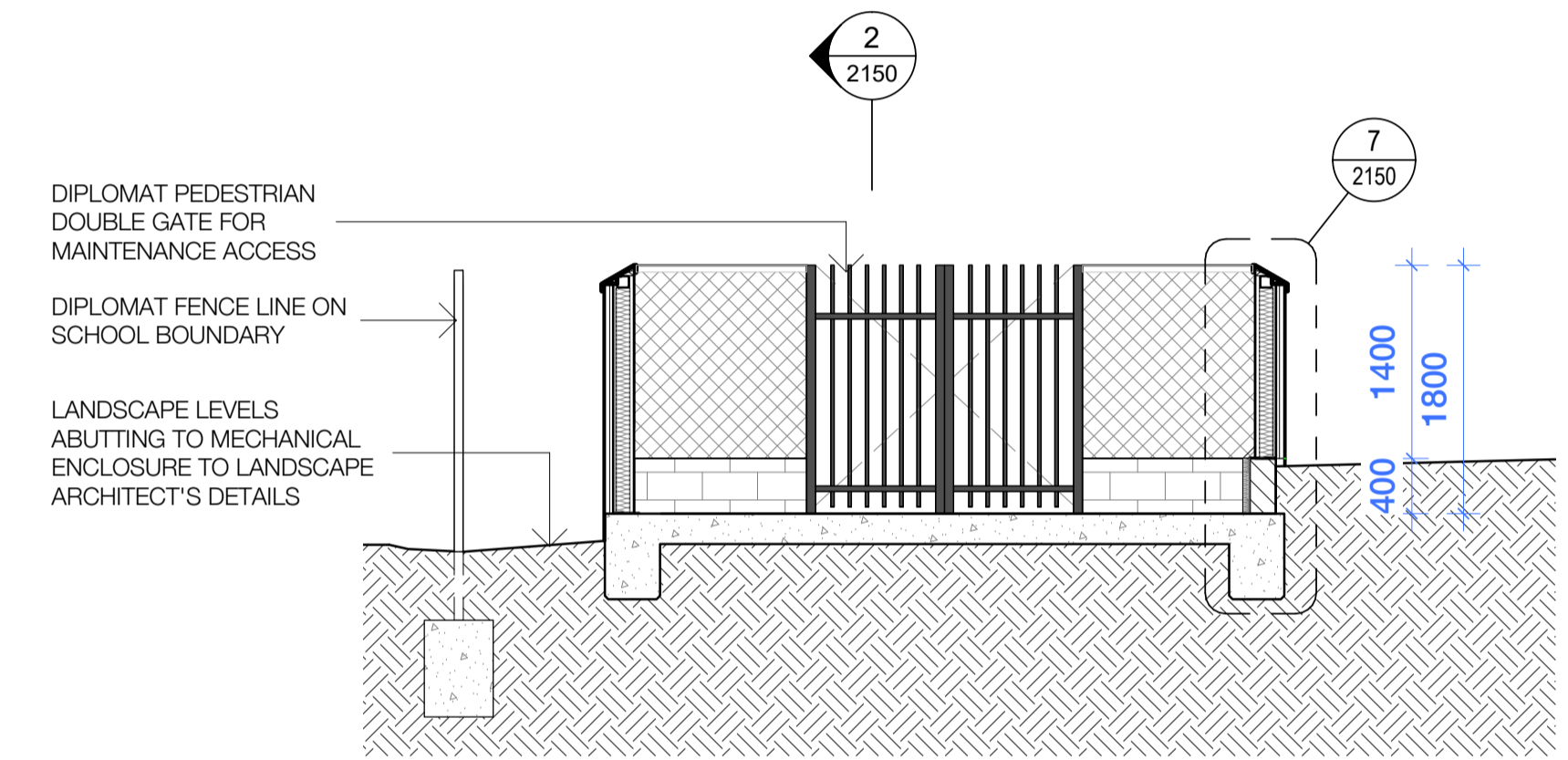


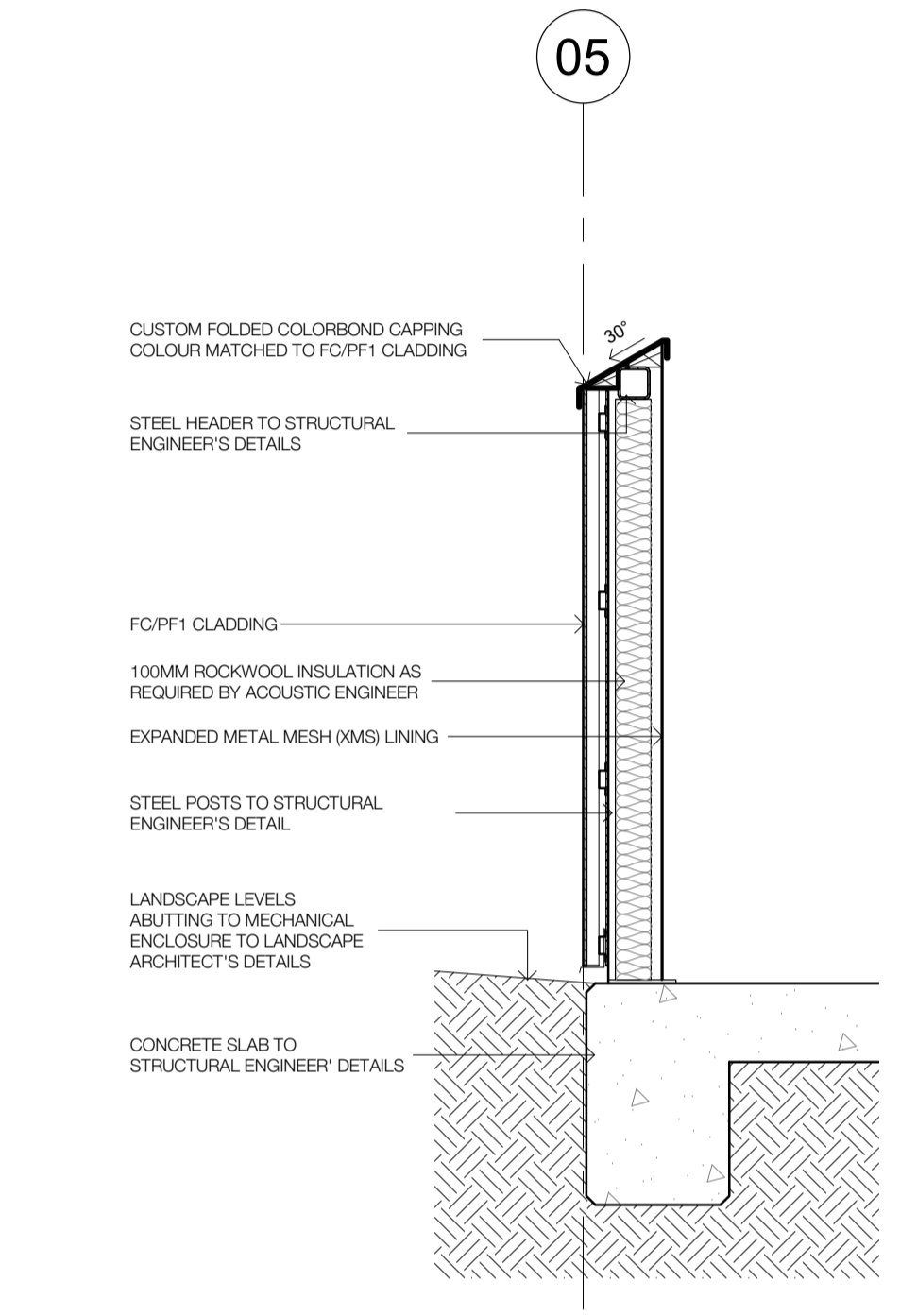
1 SOUTHERN MECHANICAL ENCLOSURE
1:50



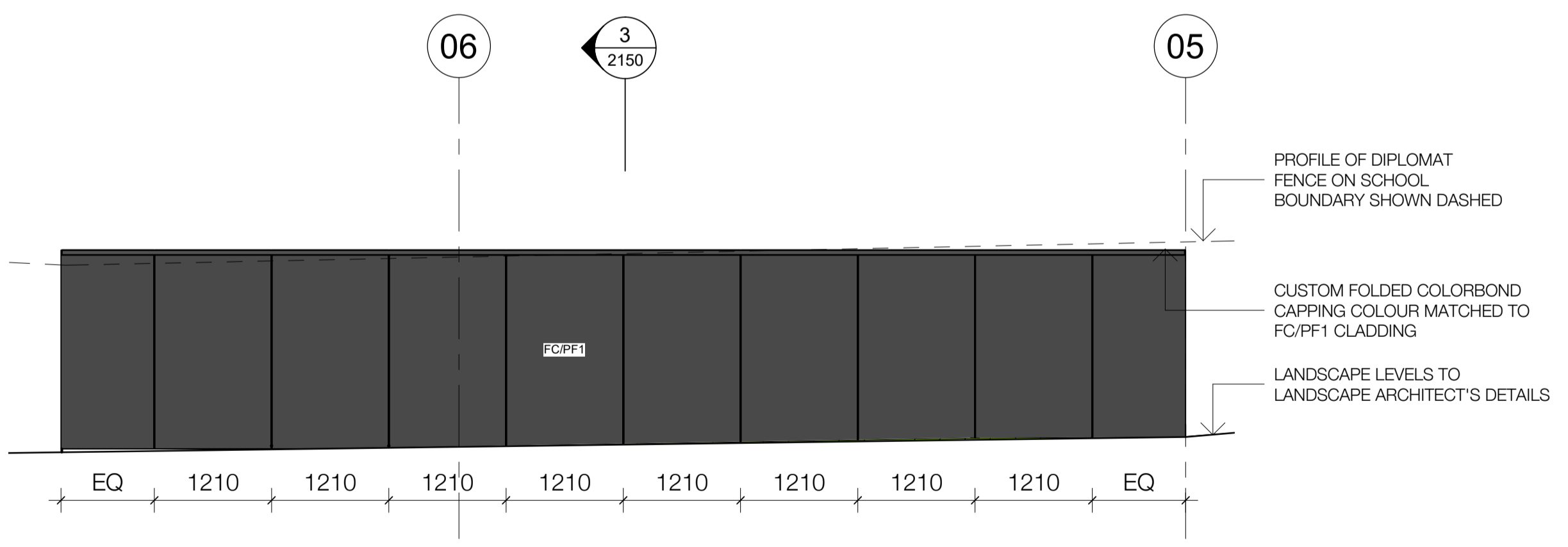
2 SECTION 01
1:50



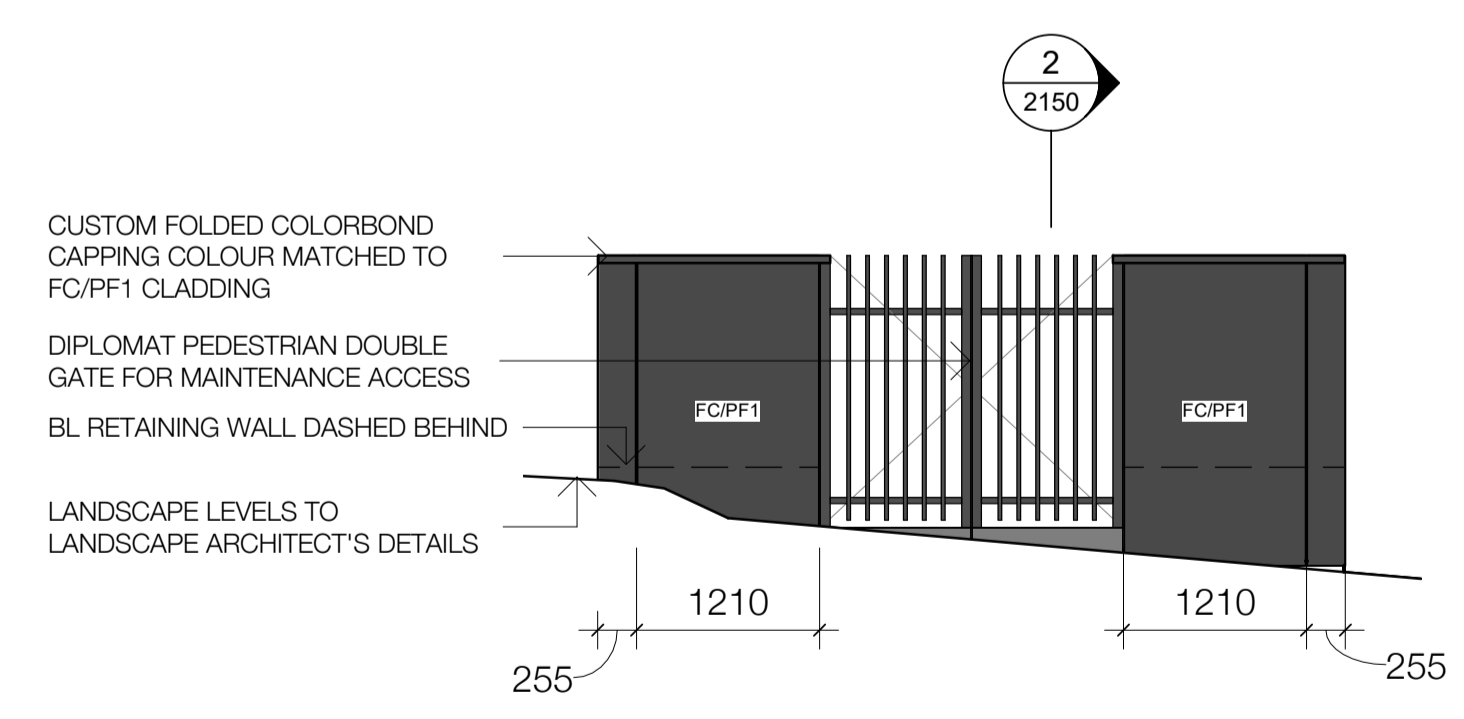
3 SECTION 02
1:50



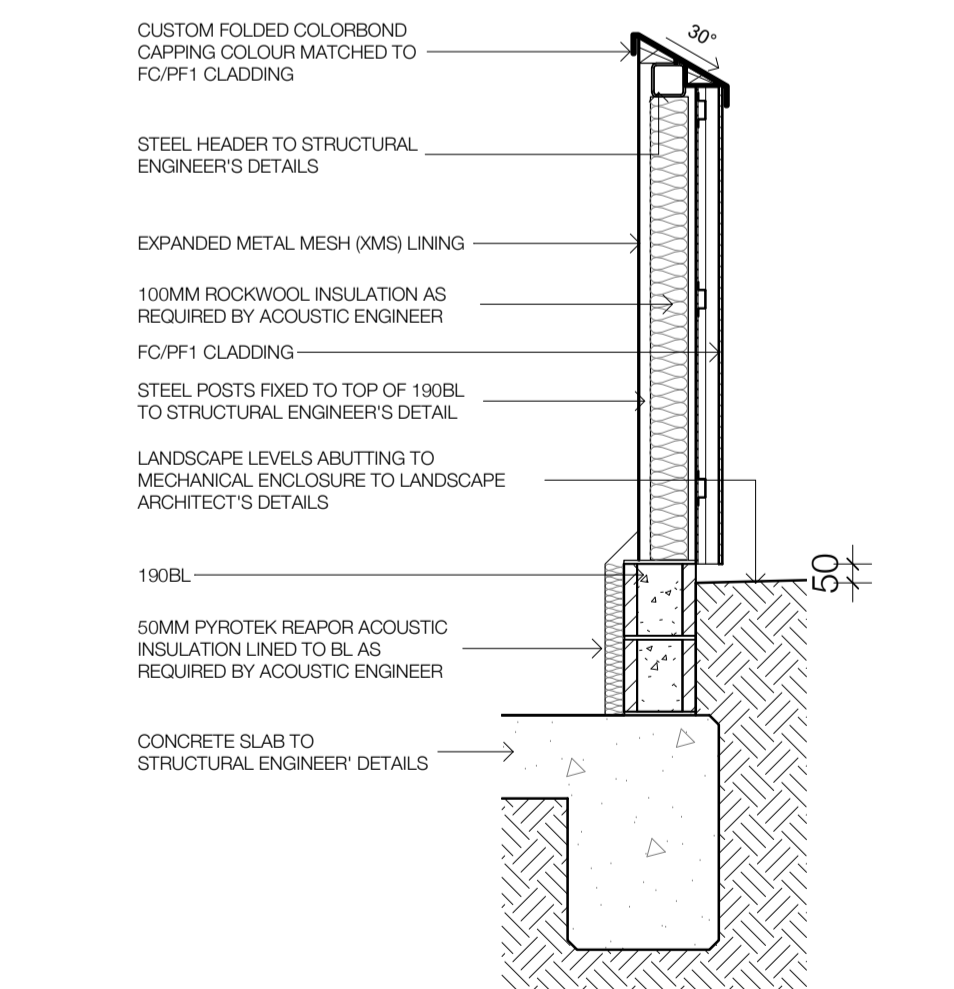
6 TYPICAL MECHANICAL ENCLOSURE SECTION DETAIL
1:20



4 ELEVATION 01
1:50



5 ELEVATION 02
1:50



7 TYPICAL SECTION DETAIL WITH RETAINING WALL
1:20

CLIENT
NSW Department of Education | School Infrastructure NSW
T+ (02) 9561 8287

Richard Crookes Constructions
T+ (02) 9902 4700

Landscape Architecture
OCULUS
T+ (02) 9557 5533

Structural and Civil
NORTHROP
T+ (02) 9241 4188

Multidisciplinary Services
JHA CONSULTING ENGINEERS
T+ (02) 9437 1000

Project Managers
COLLIERS
T+ (02) 9249 2001

Traffic Consultant
PTC
T+ (02) 8920 0800

NSW Nominated Architects: Robert Denton Reg. No. 5782, Alex Kibble Reg. No. 6015
Do not scale drawings. Verify all dimensions on site. Notify architect of all discrepancies

| Rev | Date | Description | Chkd | Auth |
|-----|----------|-----------------------|------|------|
| P1 | 04.02.22 | Issue for Informatino | HC | AK |

Project
NEW PRIMARY SCHOOL IN EDMONDSON PARK
BUCHAN AVE
EDMONDSON PARK

Drawing Title
SOUTHERN MECHANICAL ENCLOSURE

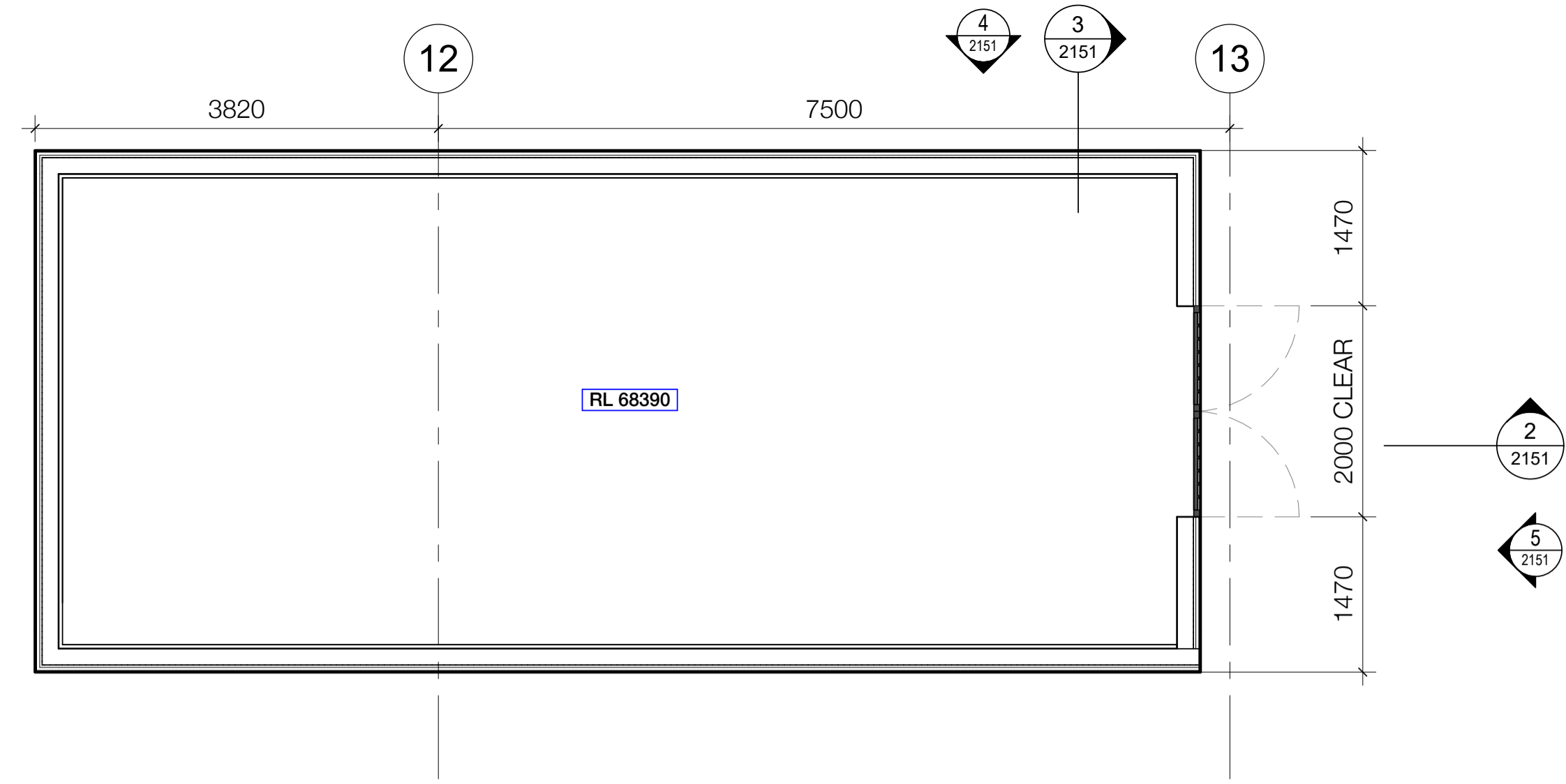
| Proj. Dir | Proj. Arch | Drawn | Sheet |
|-----------|------------|-------|-------|
| AK | AH | HC | A1 |

| Job No. | Date | Scale |
|---------|----------|--------------|
| 210002 | 04.02.22 | As indicated |

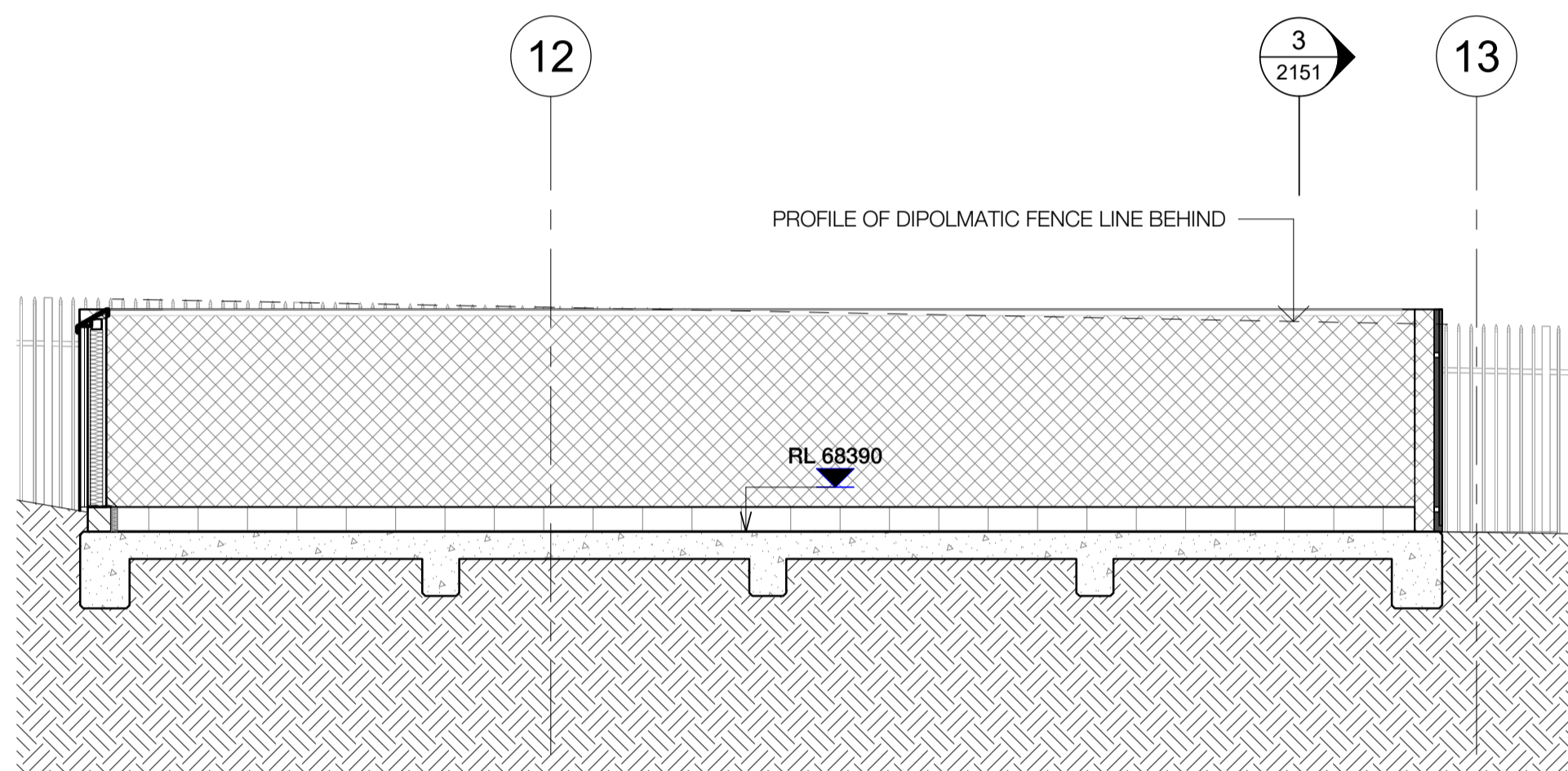
Drawing No. **AR CD SW 2150** Revision **P1**

Tanner Kibble Denton Architects Pty Ltd
PO Box 660 Darlinghurst NSW 1300 Australia
Level 1, 19 Foster Street, Surry Hills NSW 2010 Australia
T +61 2 9281 4399
F +61 2 9281 4337
www.tkda.com.au

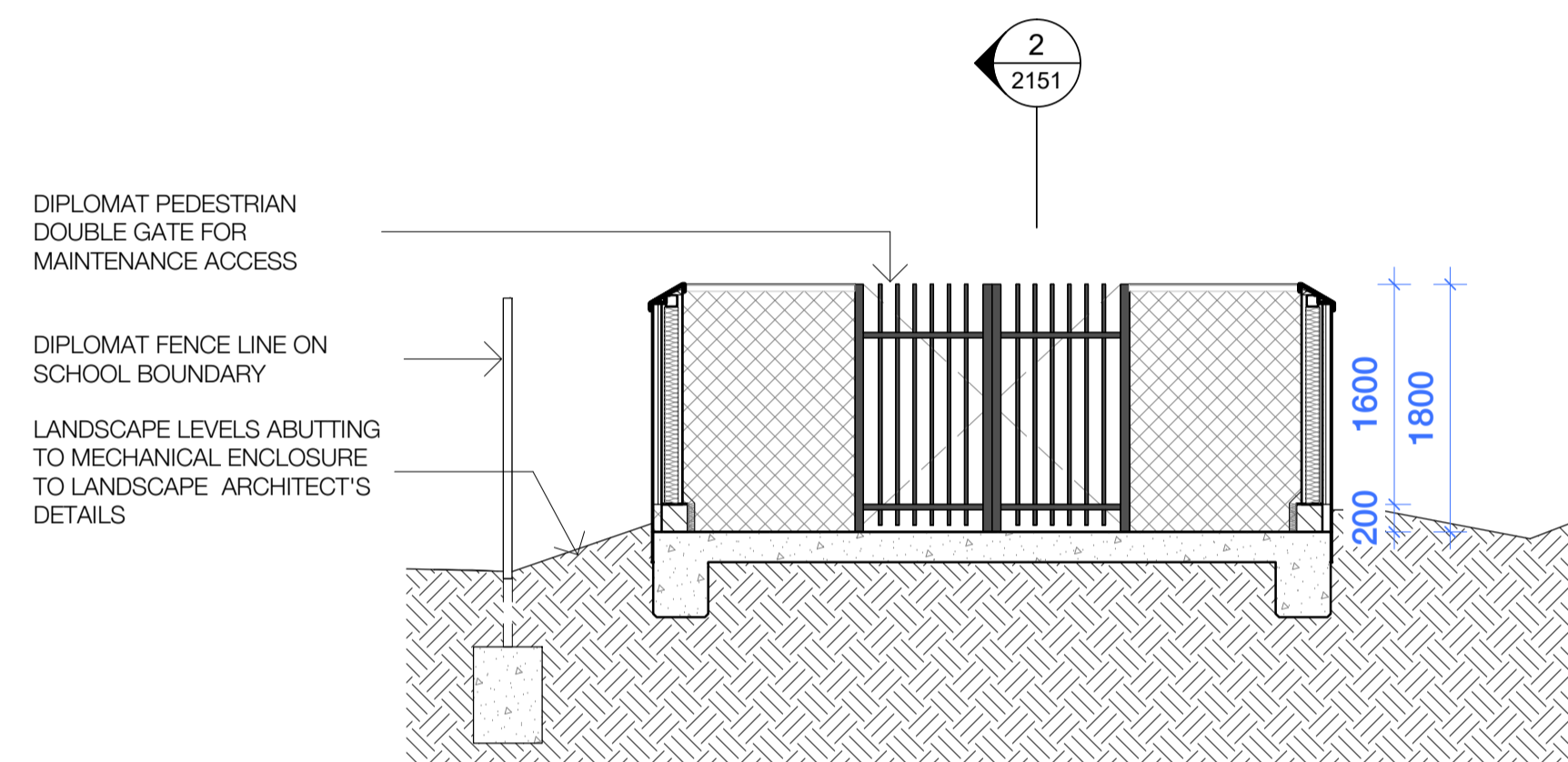
TKDArchitects
Tanner Kibble Denton



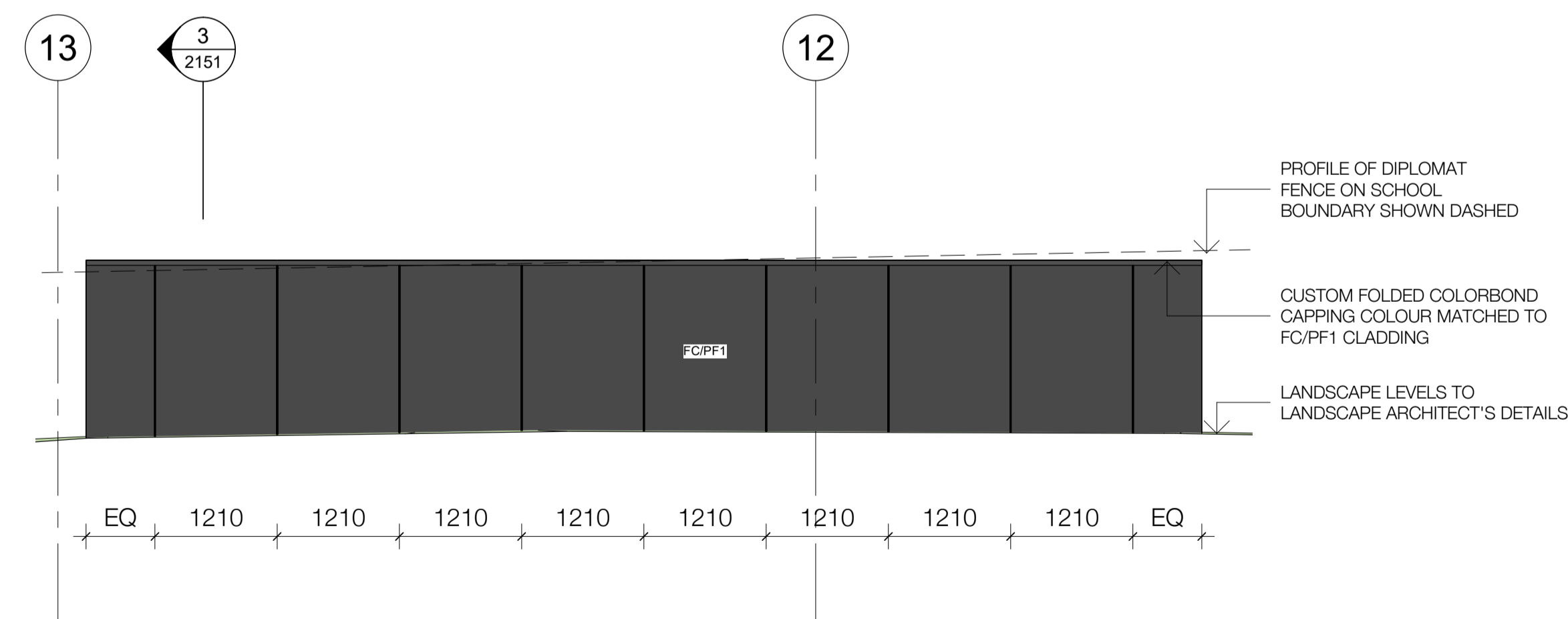
1 CENTRAL MECHANICAL ENCLOSURE
1 : 50



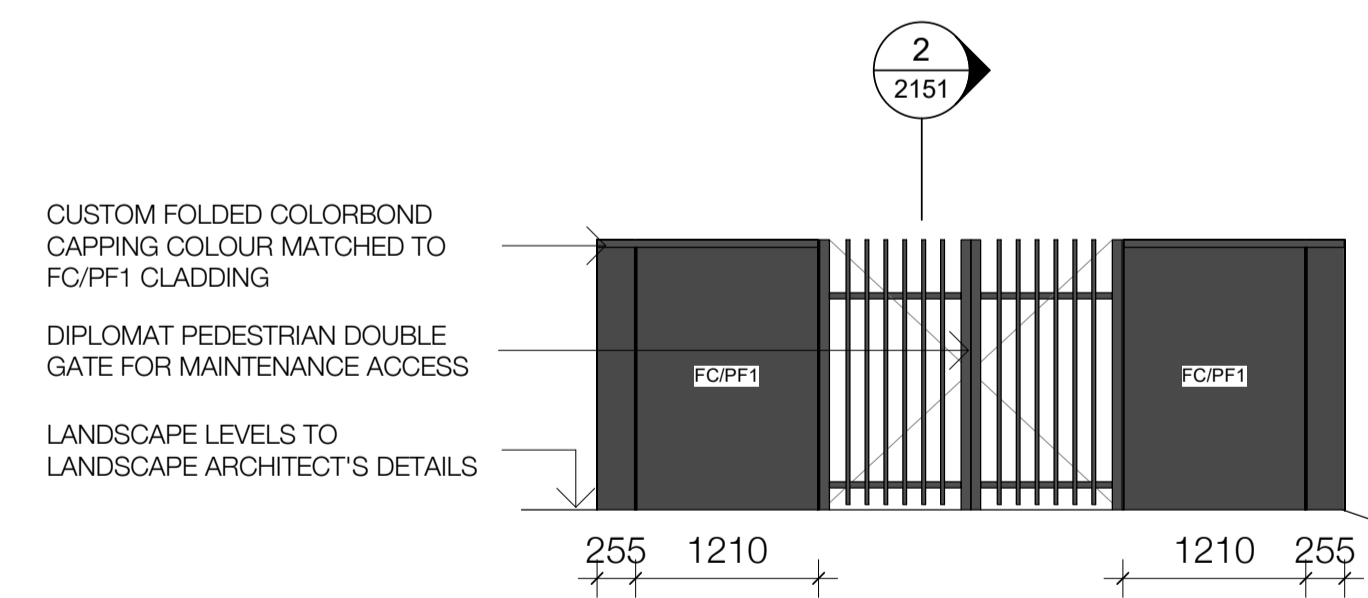
2 SECTION 01
1 : 50



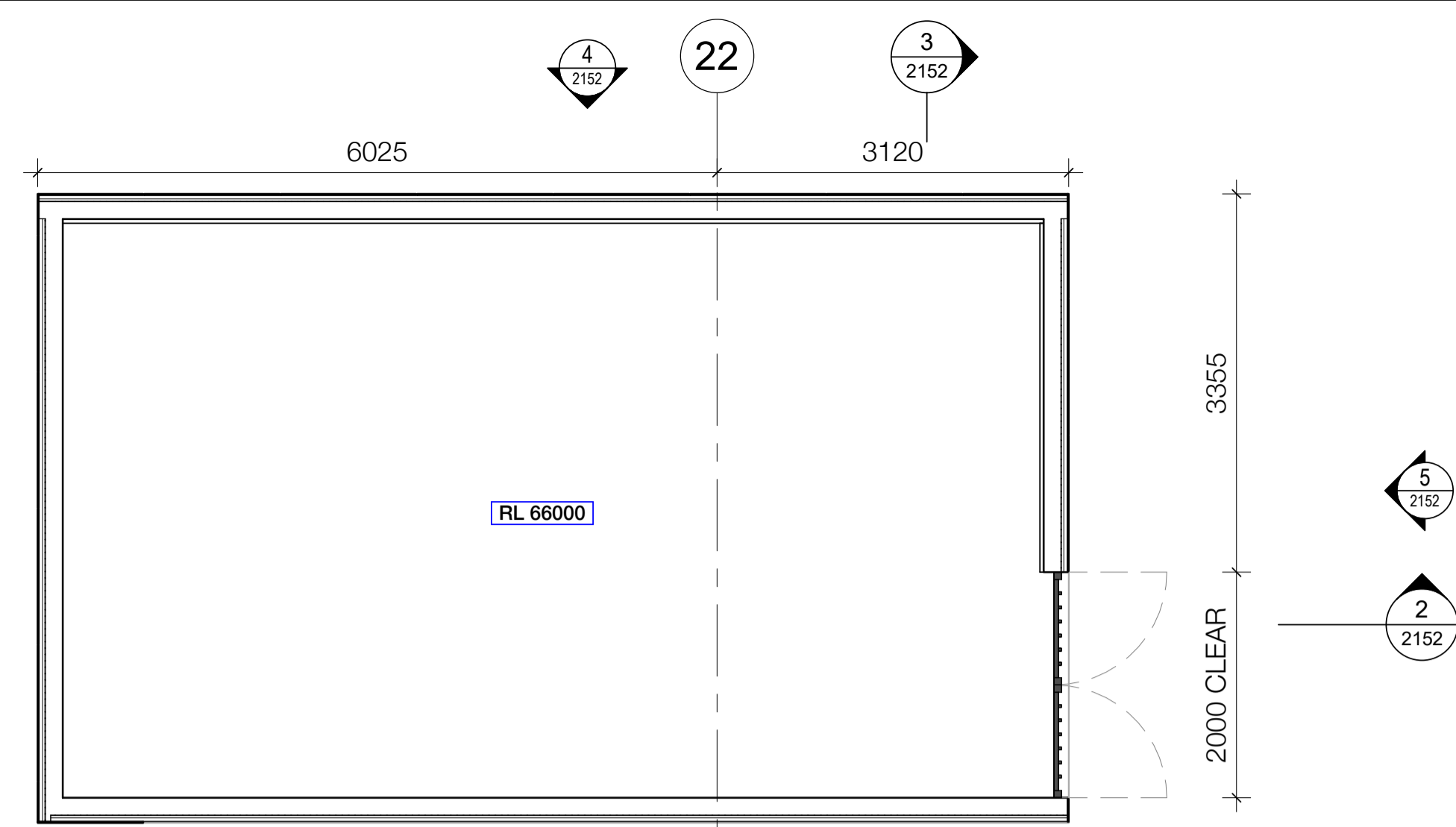
3 SECTION 02
1 : 50



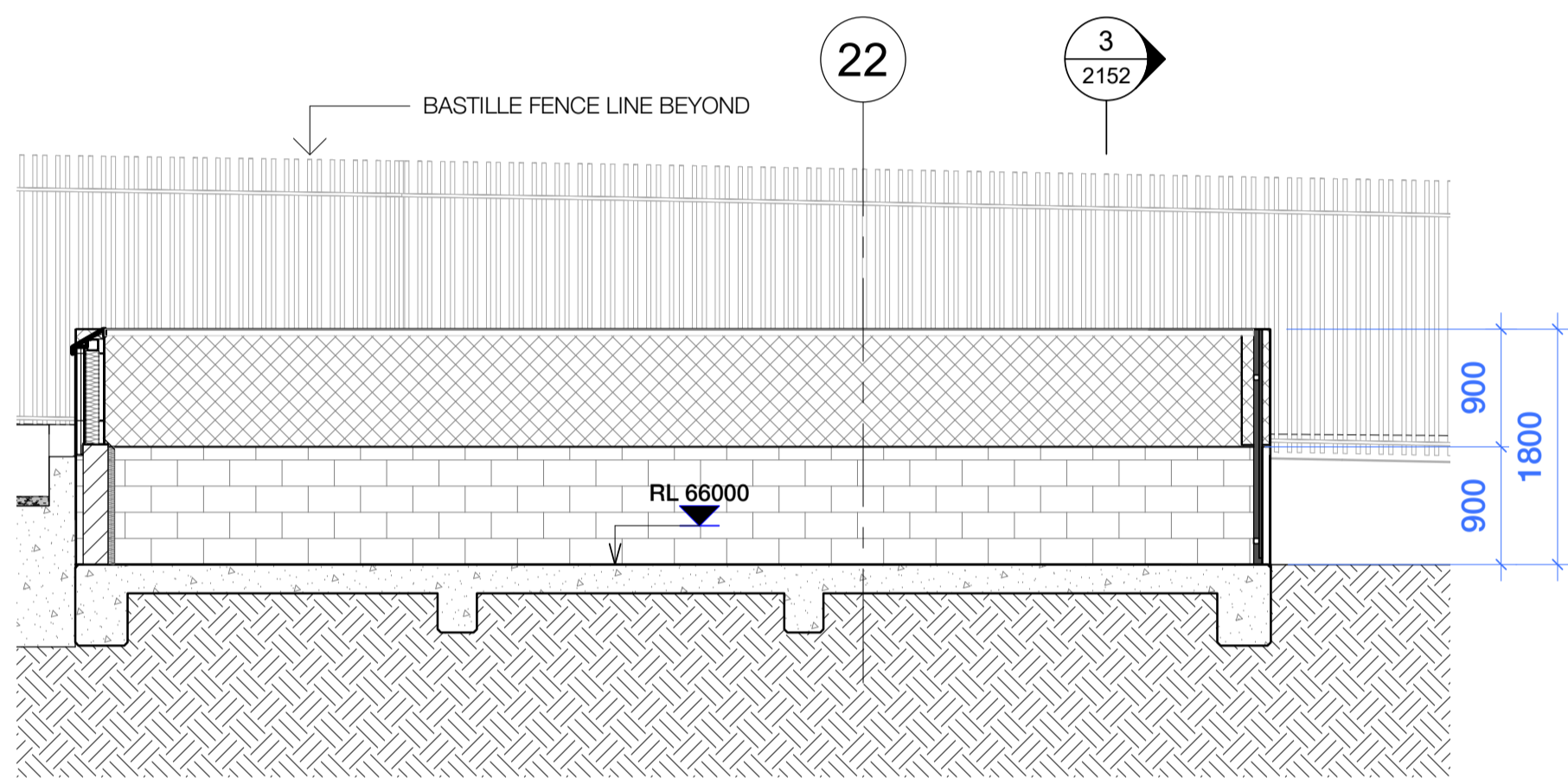
4 ELEVATION 01
1 : 50



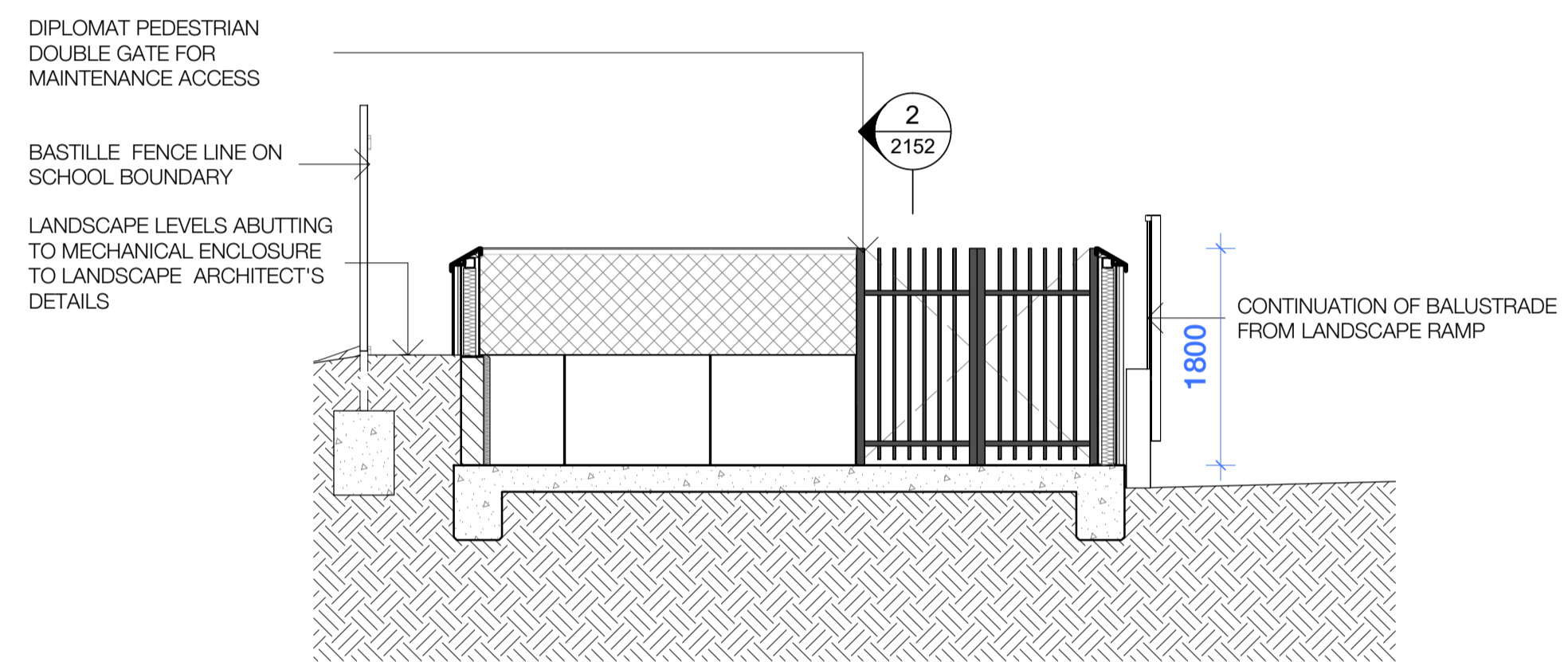
5 ELEVATION 02
1 : 50



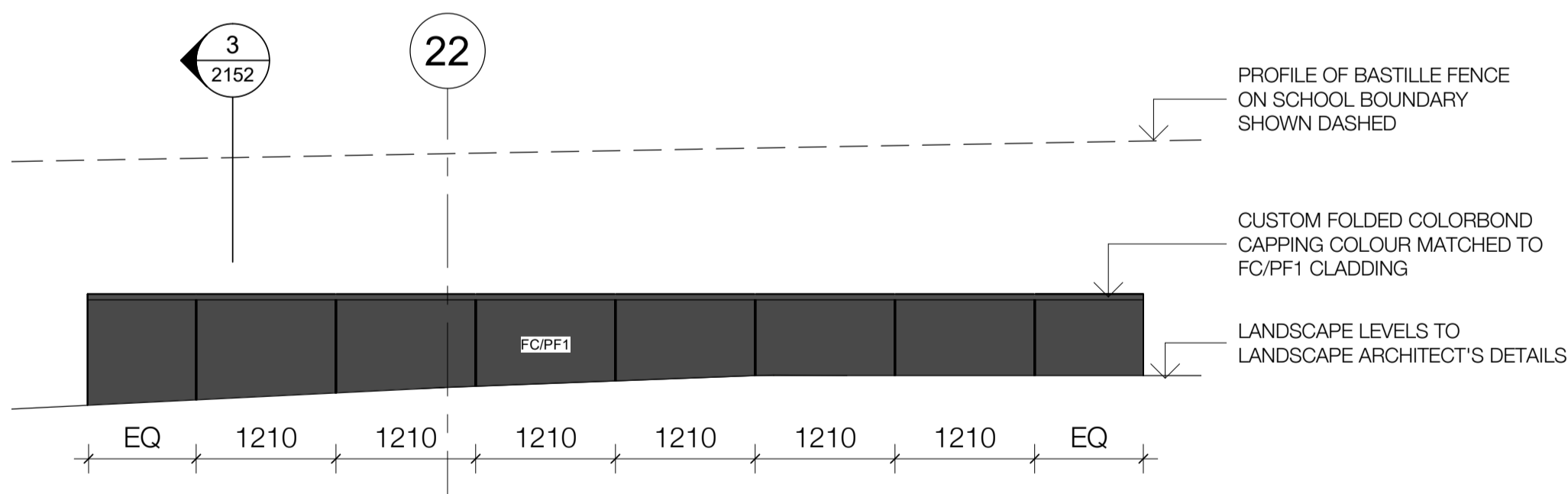
1 NORTHERN MECHANICAL ENCLOSURE
0003 1:50



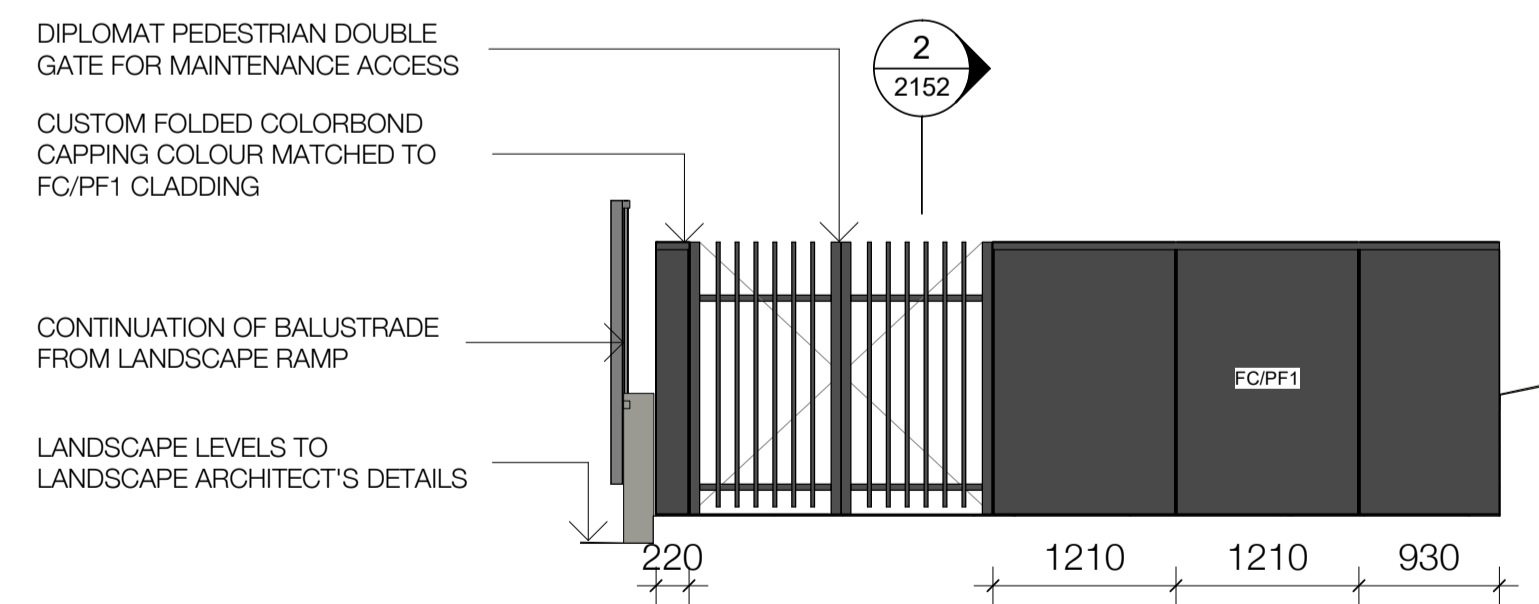
2 SECTION 01
1:50



3 SECTION 02
1:50



4 ELEVATION 01
2152 1:50



5 ELEVATION 02
1:50