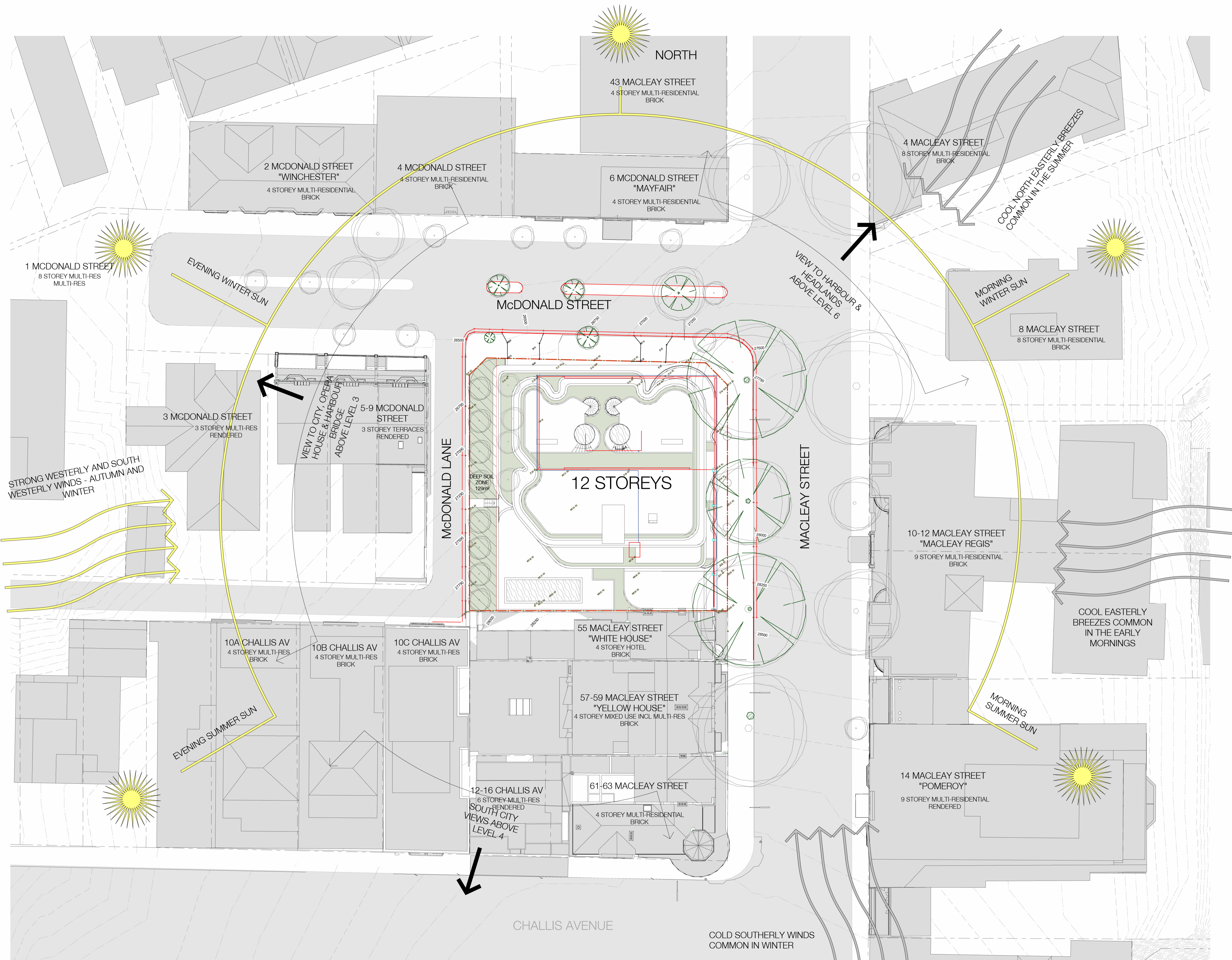


In accepting and utilising this document the recipient agrees that SJB Architects (NSW) Pty. Ltd. ACN 081 094 724 T/A SJB Architects, retain all common law, statutory law and other rights including copyright and intellectual property rights. The recipient agrees not to use this document for any purpose other than its intended use; to waive all claims against SJB Architects resulting from unauthorised changes; or to reuse the document on other projects without prior written consent from SJB Architects. Under no circumstances shall transfer of this document be deemed a sale. SJB Architects makes no warranties of fitness for any purpose. The Builder/Contractor shall verify job dimensions prior to any work commencing. Use figured dimensions only. Do not scale drawings.
 Nominated Architects: Adam Haddow-7188 | John Pradel-7004

INDICATIVE

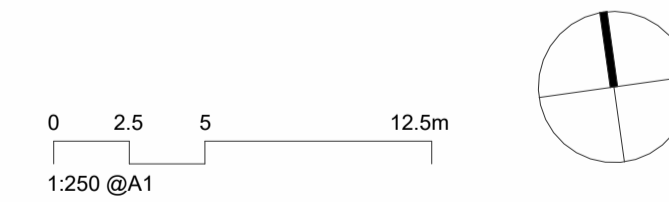
Rev Date	Revision	By	Chk.
1	05.02.2025	FOR INFORMATION	JM DM
3	28.02.2025	FOR INFORMATION	JM DM
4	10.03.2025	FOR INFORMATION	JM DM
5	08.08.2025	FOR INFORMATION	JM DM
7	29.08.2025	FOR INFORMATION	JM DM



Client
TIME & PLACE

Project
MACLEAY STREET
 45-53 MACLEAY STREET
 POTTS POINT NSW

Drawing Name
SITE PLAN & ANALYSIS

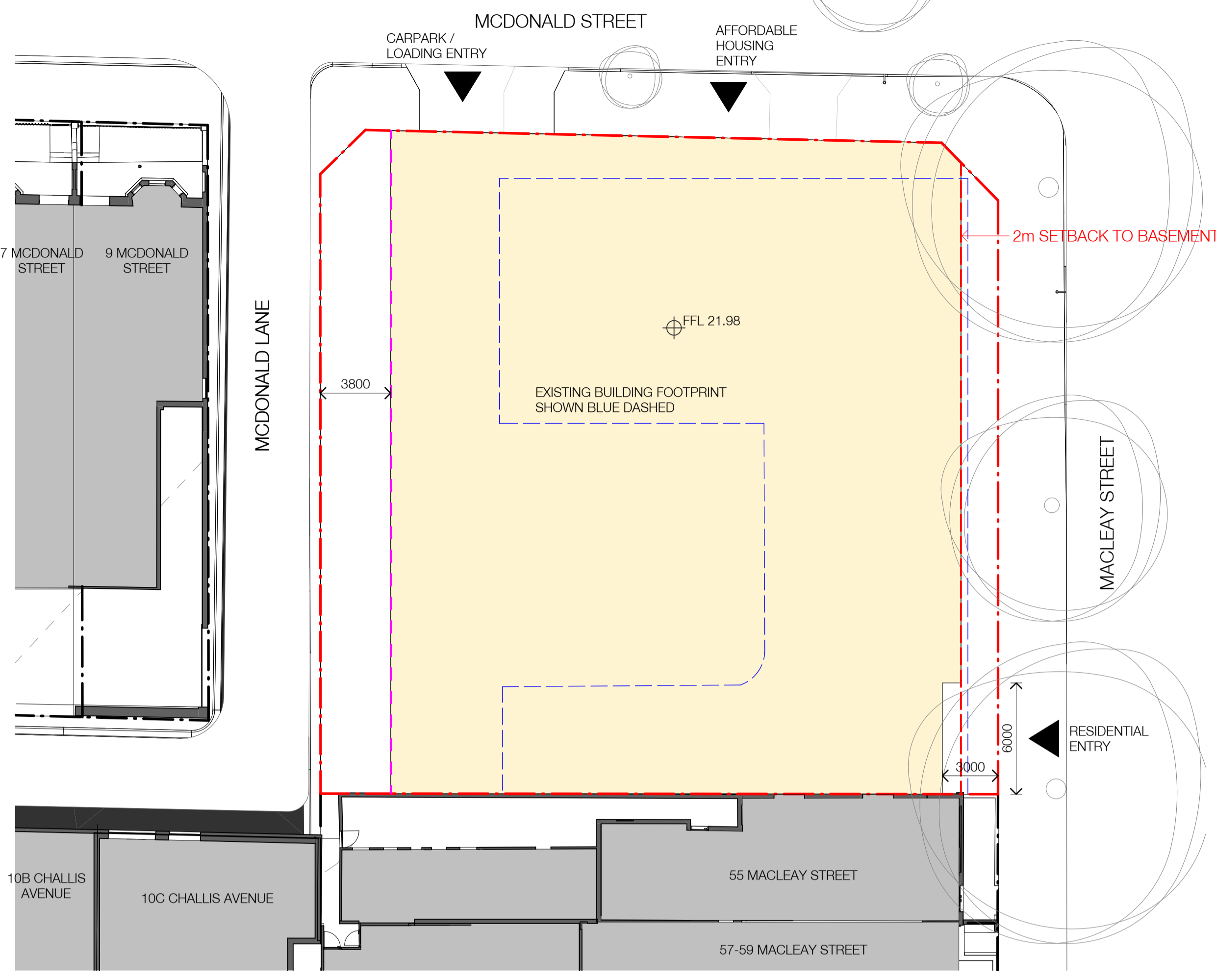


Date: 29.08.2025
 Scale: 1 : 250
 Sheet Size: @ A1

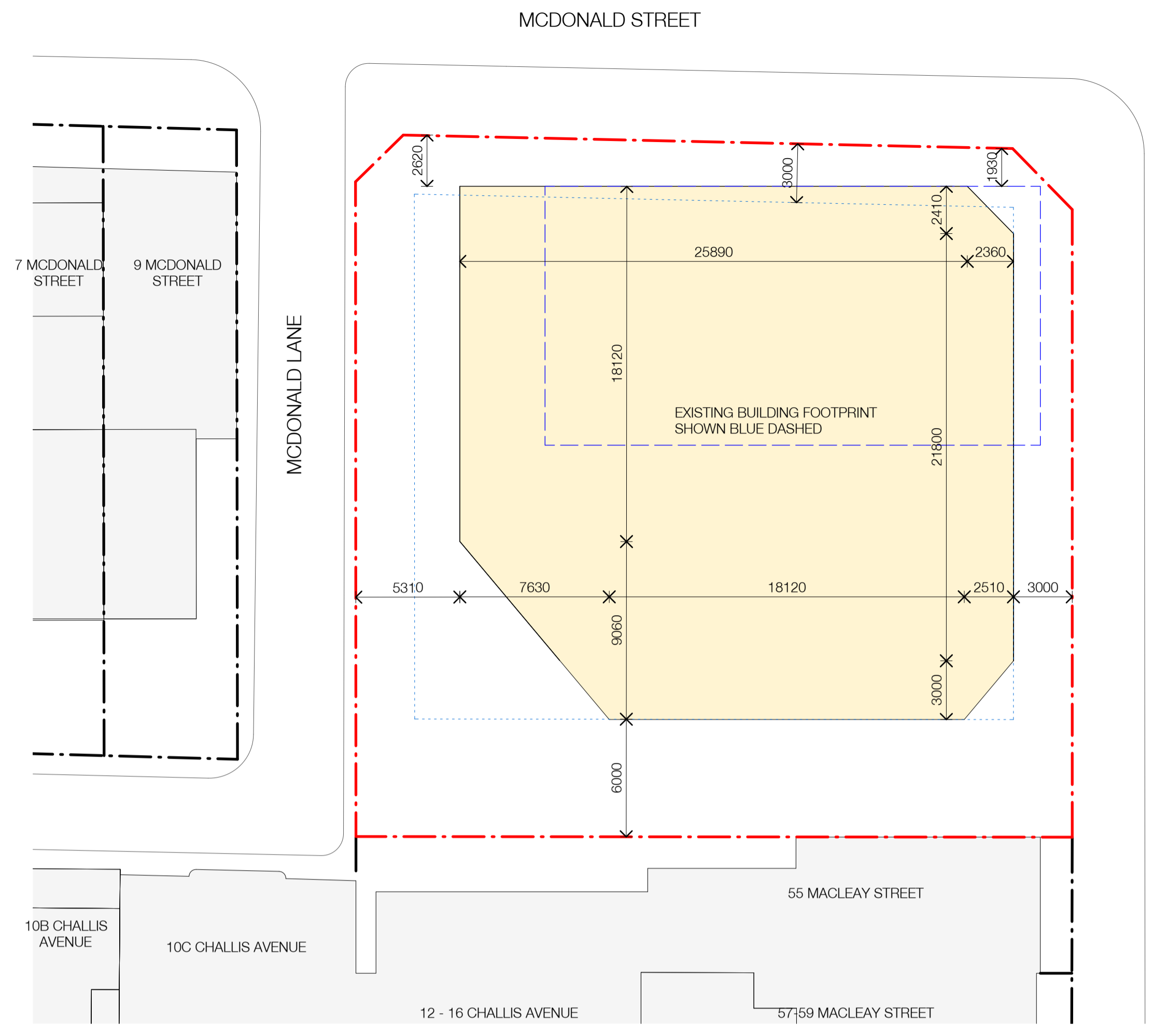
Drawn: DM
 Chk.: AH

Job No.: 6253-A
 Drawing No.: DA-0102
 Revision: 17

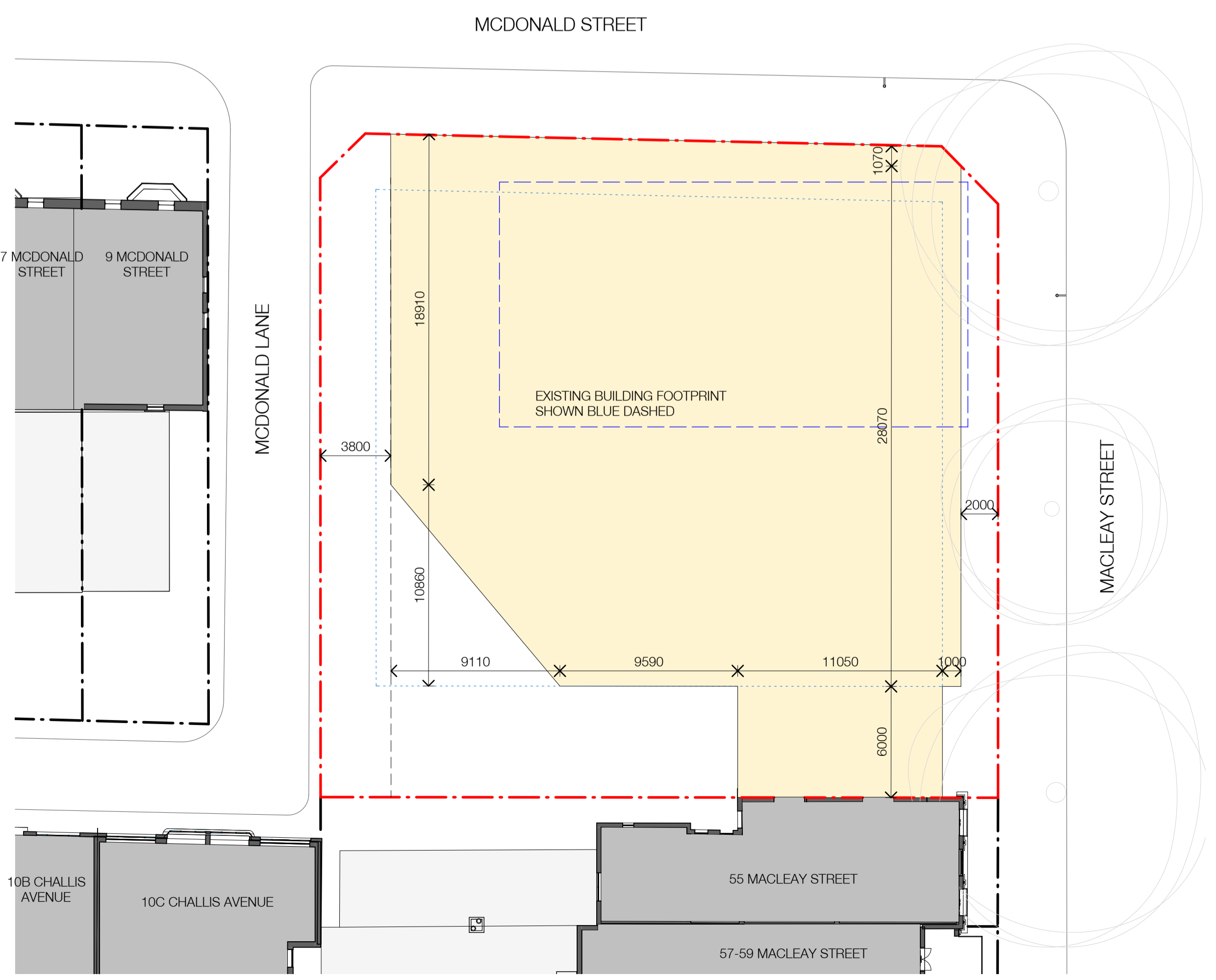
In accepting and utilising this document the recipient agrees that SJB Architecture (NSW) Pty. Ltd. ACN 081 094 724 T/A SJB Architects, retain all common law, statutory law and other rights including copyright and intellectual property rights. The recipient agrees not to use this document for any purpose other than its intended use; to waive all claims against SJB Architects resulting from unauthorised changes; or to reuse the document on other projects without prior written consent from SJB Architects. Under no circumstances shall transfer of this document be deemed a sale. SJB Architects makes no warranties of fitness for any purpose. The Builder/Contractor shall verify job dimensions prior to any work commencing. Use figured dimensions only. Do not scale drawings.
 Nominated Architects: Adam Haddow-7188 | John Pradel-7004



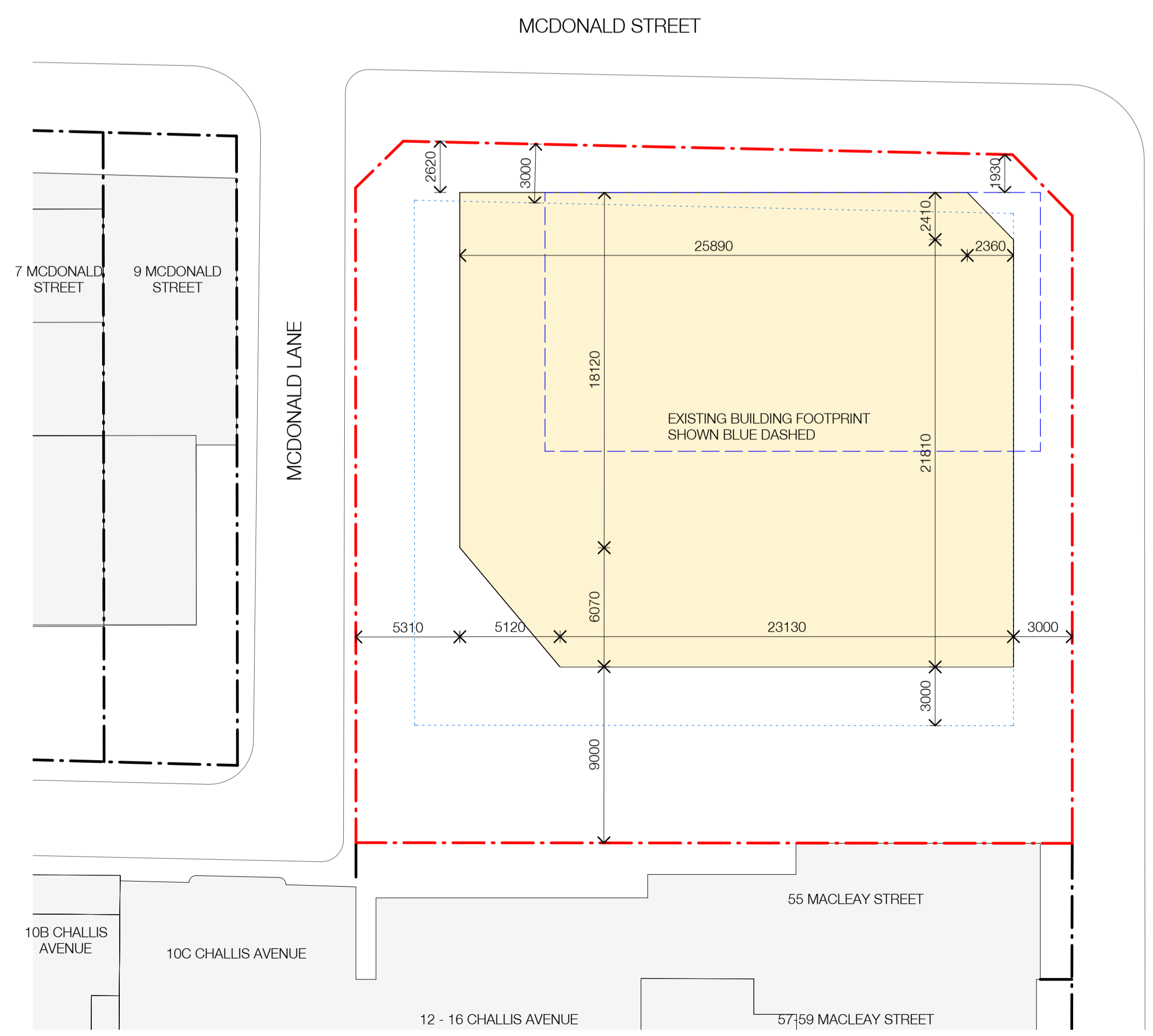
1 ENVELOPE PLAN - GROUND FLOOR & BELOW
 1 : 200



3 ENVELOPE PLAN - LEVEL 3
 1 : 200



2 ENVELOPE PLAN - LEVEL 1-2.
 1 : 200



4 ENVELOPE PLAN - LEVEL 4-12
 1 : 200

FOR APPROVAL

Rev Date	Revision	By	Chk.
1	05.02.2025	FOR INFORMATION	JM DM
3	28.02.2025	FOR INFORMATION	JM DM
4	10.03.2025	FOR INFORMATION	JM DM
5	08.08.2025	FOR INFORMATION	JM DM
6	12.08.2025	FOR INFORMATION	JM DM

LEGEND

	RESIDENTIAL
	EXISTING BUILDING OUTLINE (DEMOLISHED)

Client
TIME & PLACE

Project
MACLEAY STREET
 45-53 MACLEAY STREET
 POTTS POINT NSW

Drawing Name
 ENVELOPE CONCEPT
 SSDA - PLAN



Date
 12.08.2025

Scale
 1 : 200

Sheet Size
 @ A1

Drawn
 DM

Chk.
 AH

Job No.
6253-A DA-6051

Drawing No.
 / 6

Revision

In accepting and utilizing this document the recipient agrees that SJB Architecture (NSW) Pty. Ltd. ACN 081 094 724 T/A SJB Architects, retain all common law, statutory law and other rights including copyright and intellectual property rights. The recipient agrees not to use this document for any purpose other than its intended use; to waive all claims against SJB Architects resulting from unauthorised changes; or to reuse the document on other projects without prior written consent from SJB Architects. Under no circumstances shall transfer of this document be deemed a sale. SJB Architects makes no warranties of fitness for any purpose. The Builder/Contractor shall verify job dimensions prior to any work commencing. Use figured dimensions only. Do not scale drawings.
 Nominated Architects: Adam Haddow-7188 | John Pradel-7004

FOR APPROVAL

Rev	Date	Revision	By	Chk.
5	08.08.2025	FOR INFORMATION	JM	DM
6	12.08.2025	FOR INFORMATION	JM	DM
7	29.08.2025	FOR INFORMATION	JM	DM

LEGEND

- RESIDENTIAL
- EXISTING BUILDING OUTLINE (DEMOLISHED)

Client

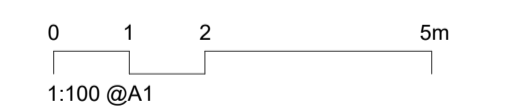
TIME & PLACE

Project

MACLEAY STREET
 45-53 MACLEAY STREET
 POTTS POINT NSW

Drawing Name

ENVELOPE CONCEPT
 SSDA - PLAN WITH
 SURVEY OVERLAY

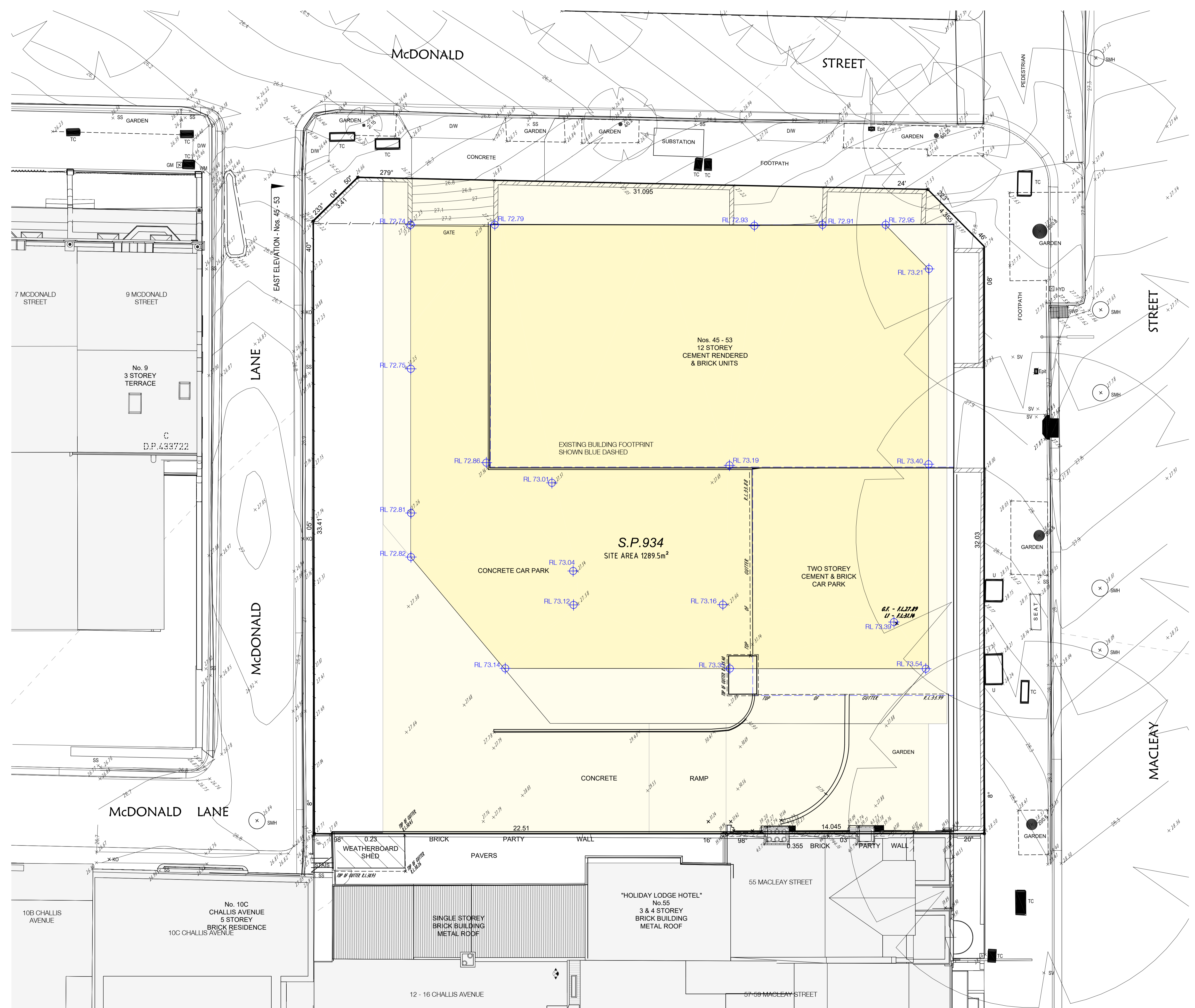


Date: 29.08.2025
 Scale: As indicated
 Sheet Size: @ A1

Drawn: DM
 Chk.: AH

Job No.: 6253-A
 Drawing No.: DA-6052
 Revision: 17

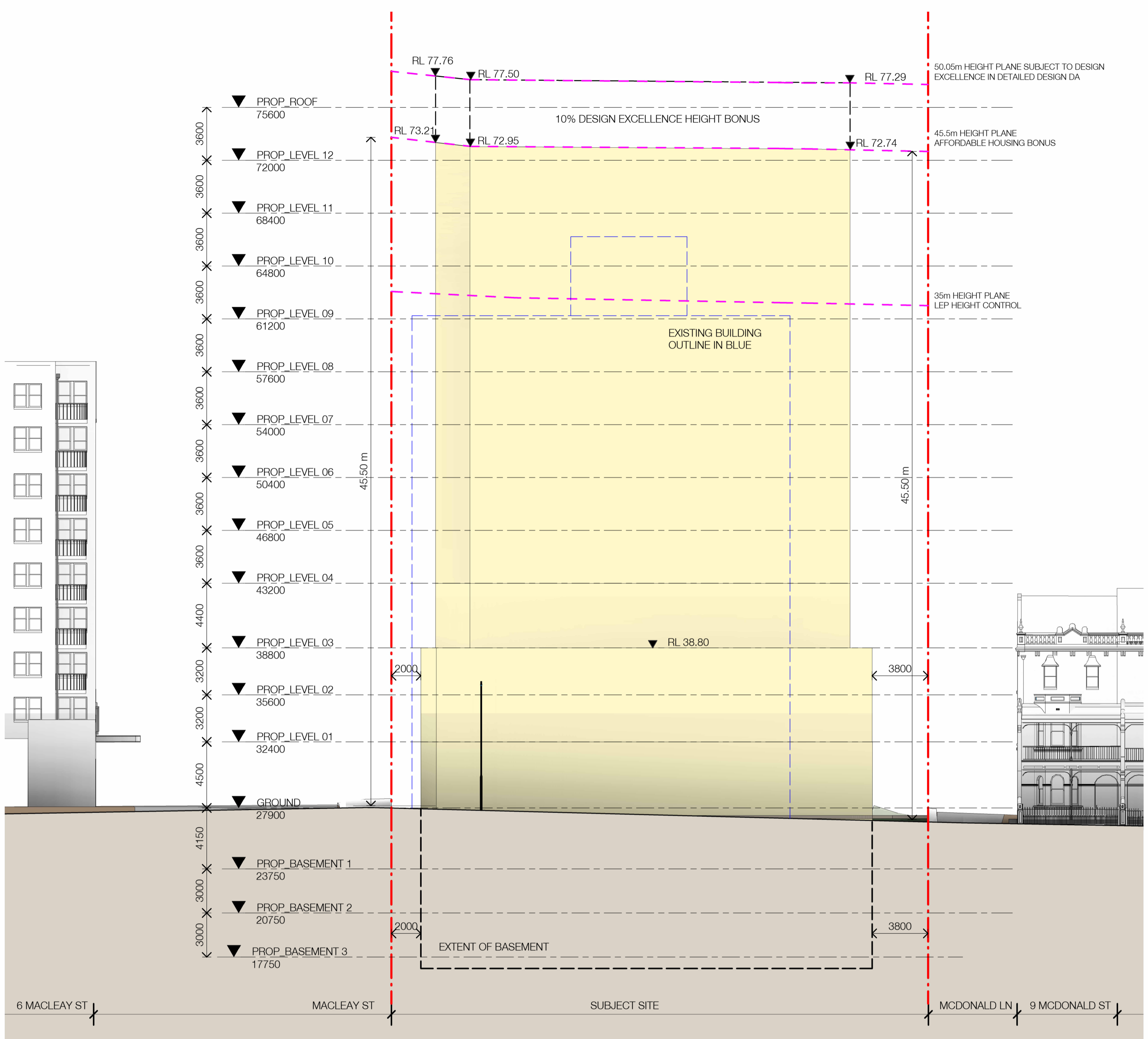
SJB Architects
 Level 2, 490 Crown St
 Surry Hills NSW
 2010 Australia
 T 61 2 9380 9911
 www.sjb.com.au



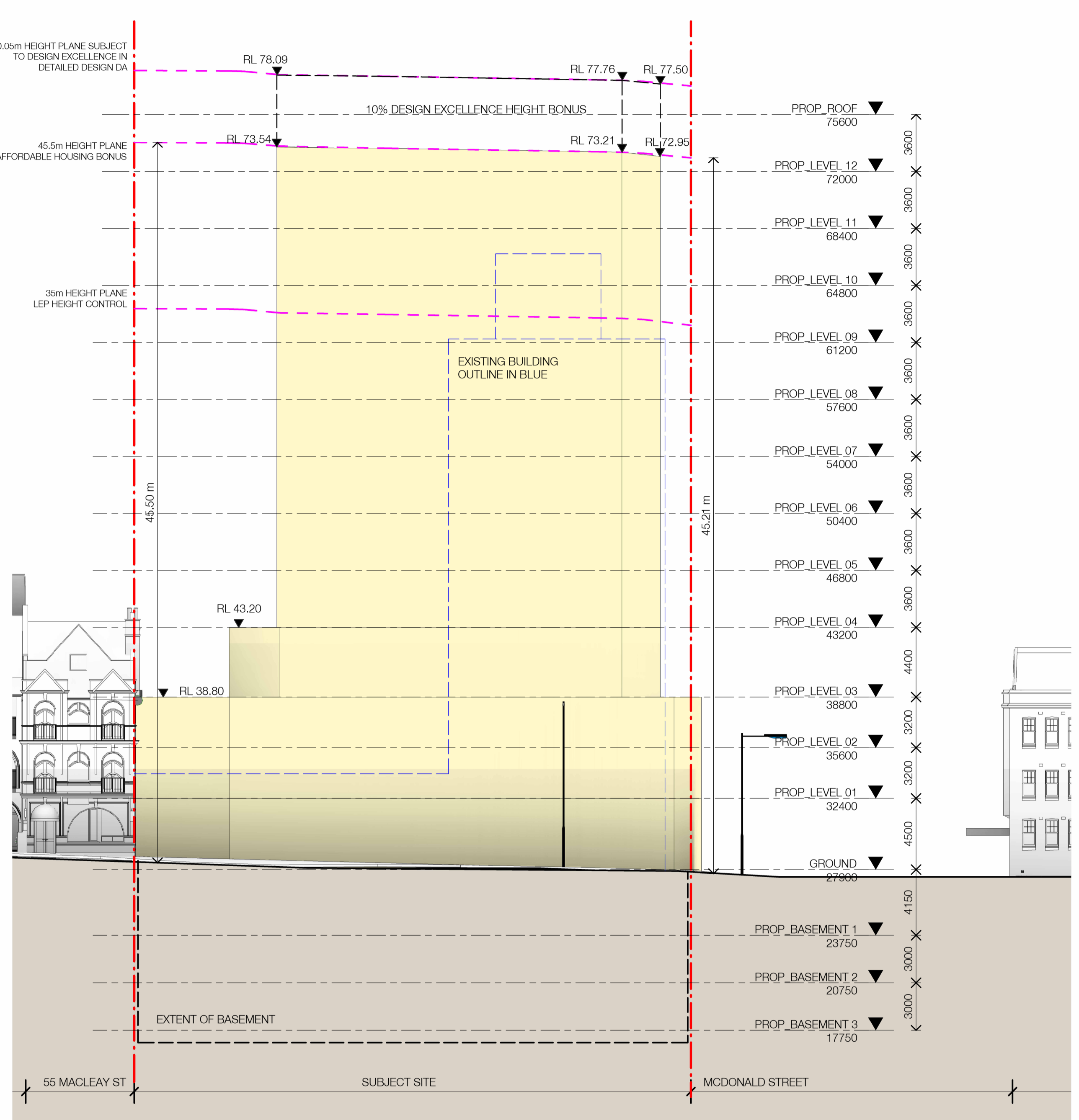
In accepting and utilising this document the recipient agrees that SJB Architecture (NSW) Pty. Ltd. ACN 081 094 724 T/A SJB Architects, retain all common law, statutory law and other rights including copyright and intellectual property rights. The recipient agrees not to use this document for any purpose other than its intended use; to waive all claims against SJB Architects resulting from unauthorised changes; or to reuse the document on other projects without prior written consent from SJB Architects. Under no circumstances shall transfer of this document be deemed a sale. SJB Architects makes no warranties of fitness for any purpose. The Builder/Contractor shall verify job dimensions prior to any work commencing. Use figured dimensions only. Do not scale drawings.
 Nominated Architects: Adam Haddow-7188 | John Pradel-7004

FOR APPROVAL

Rev	Date	Revision	By	Chk.
1	05.02.2025	FOR INFORMATION	JM	DM
3	28.02.2025	FOR INFORMATION	JM	DM
4	10.03.2025	FOR INFORMATION	JM	DM
5	08.08.2025	FOR INFORMATION	JM	DM
6	12.08.2025	FOR INFORMATION	JM	DM



2 ENVELOPE - ELEVATION_NORTH
1 : 200



1 ENVELOPE - ELEVATION_EAST
1 : 200

LEGEND

- RESIDENTIAL
- EXISTING BUILDING OUTLINE (DEMOLISHED)

Client
TIME & PLACE

Project
MACLEAY STREET
45-53 MACLEAY STREET
POTTS POINT NSW

Drawing Name
ENVELOPE CONCEPT
SSDA - ELEVATION



Date 12.08.2025 **Scale** 1 : 200 **Sheet Size** @ A1

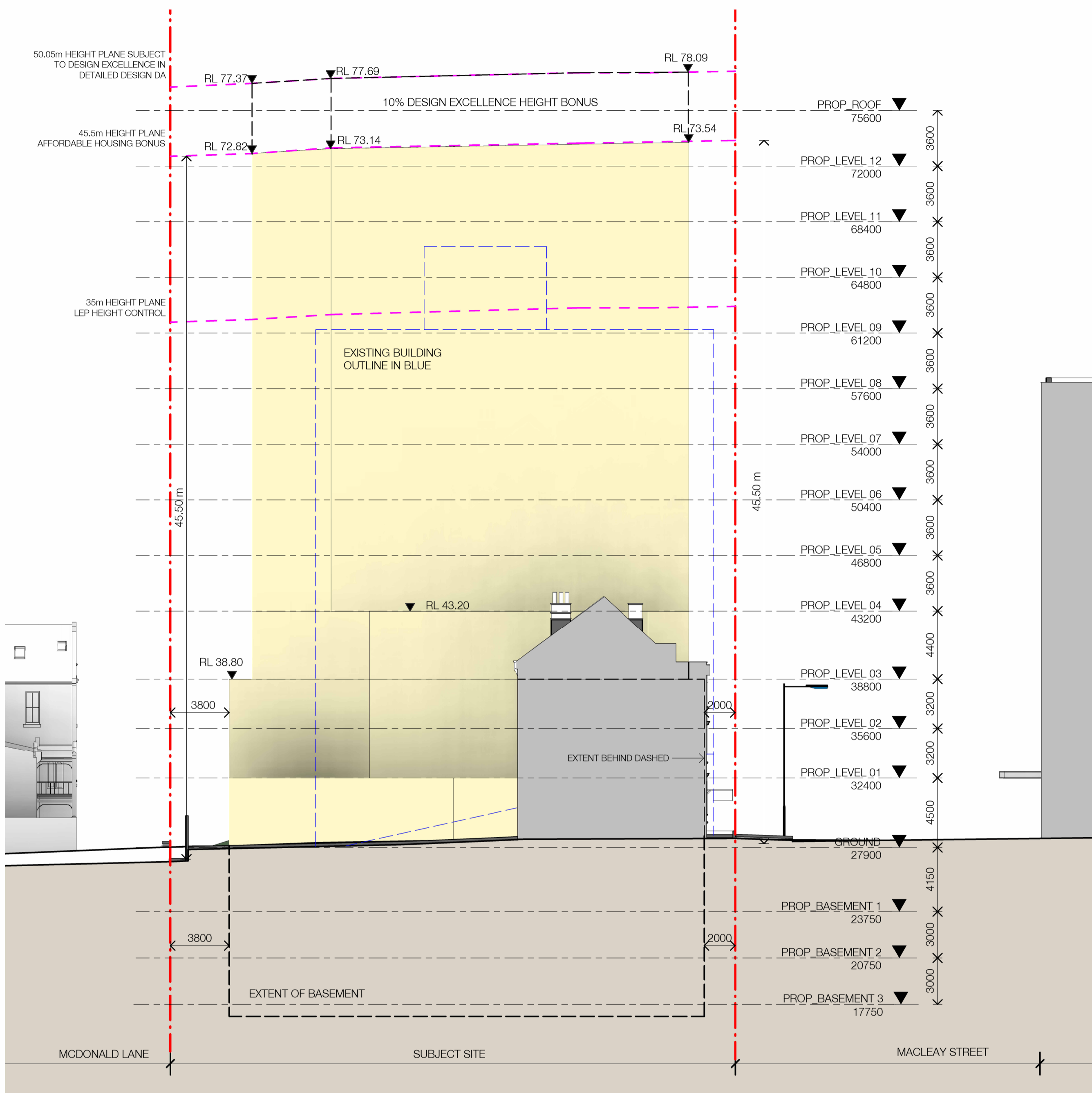
Drawn DM **Chk.** AH

Job No. 6253-A **Drawing No.** DA-6061 **Revision** / 6

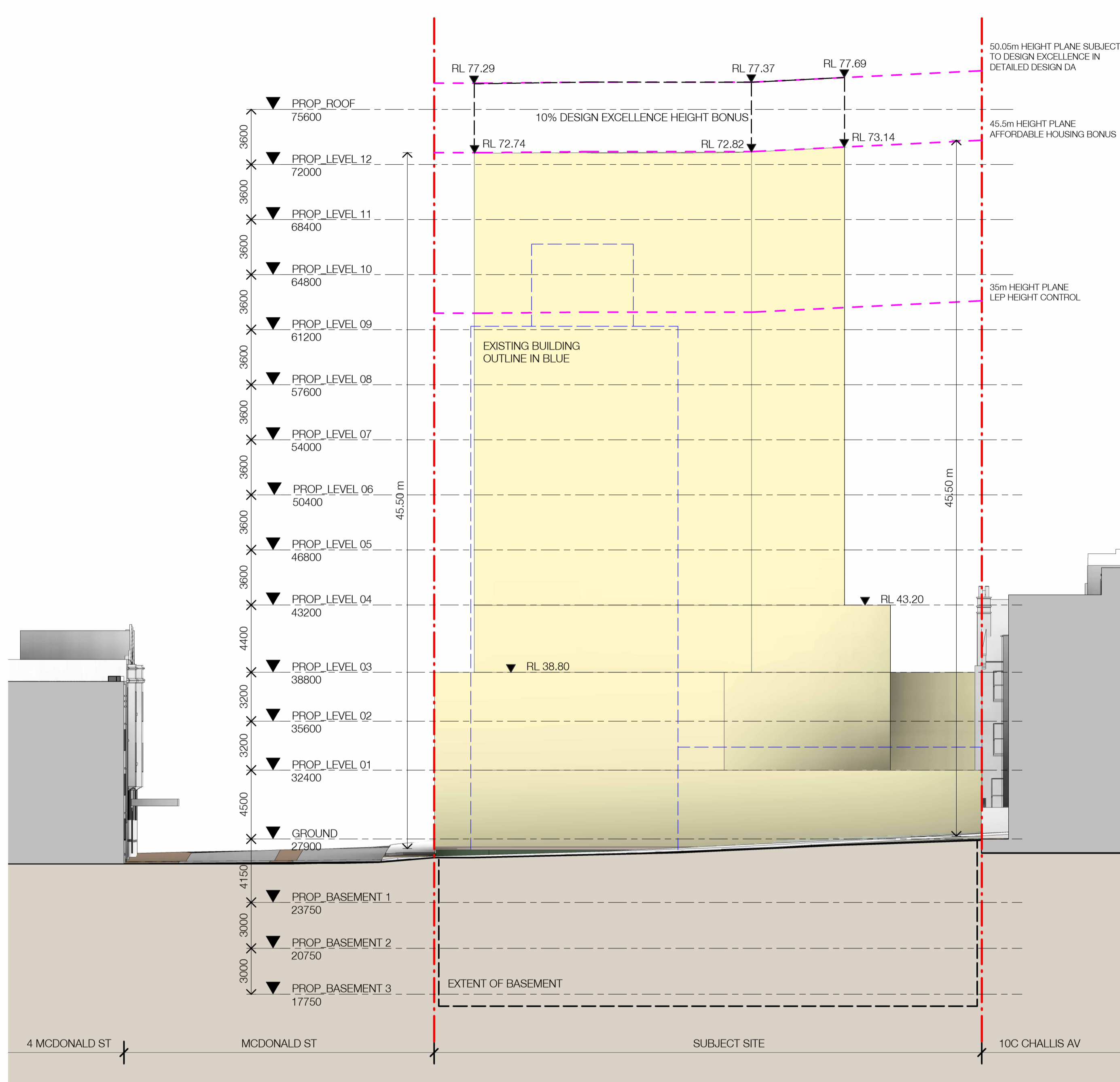
In accepting and utilising this document the recipient agrees that SJB Architecture (NSW) Pty. Ltd. ACN 081 094 724 T/A SJB Architects, retain all common law, statutory law and other rights including copyright and intellectual property rights. The recipient agrees not to use this document for any purpose other than its intended use; to waive all claims against SJB Architects resulting from unauthorised changes; or to reuse the document on other projects without prior written consent from SJB Architects. Under no circumstances shall transfer of this document be deemed a sale. SJB Architects makes no warranties of fitness for any purpose. The Builder/Contractor shall verify job dimensions prior to any work commencing. Use figured dimensions only. Do not scale drawings.
 Nominated Architects: Adam Haddow-7188 | John Pradel-7004

FOR APPROVAL

Rev	Date	Revision	By	Chk.
1	05.02.2025	FOR INFORMATION	JM	DM
3	28.02.2025	FOR INFORMATION	JM	DM
4	10.03.2025	FOR INFORMATION	JM	DM
5	08.08.2025	FOR INFORMATION	JM	DM
6	12.08.2025	FOR INFORMATION	JM	DM



1 ENVELOPE - ELEVATION_SOUTH
1 : 200



2 ENVELOPE - ELEVATION_WEST
1 : 200

LEGEND

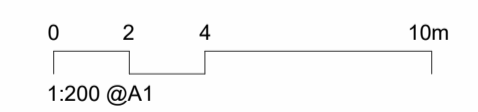
- RESIDENTIAL
- EXISTING BUILDING OUTLINE (DEMOLISHED)

Client

TIME & PLACE

Project
MACLEAY STREET
45-53 MACLEAY STREET
POTTS POINT NSW

Drawing Name
ENVELOPE CONCEPT
SSDA - ELEVATION



Date: 12.08.2025
 Scale: 1 : 200
 Sheet Size: @ A1

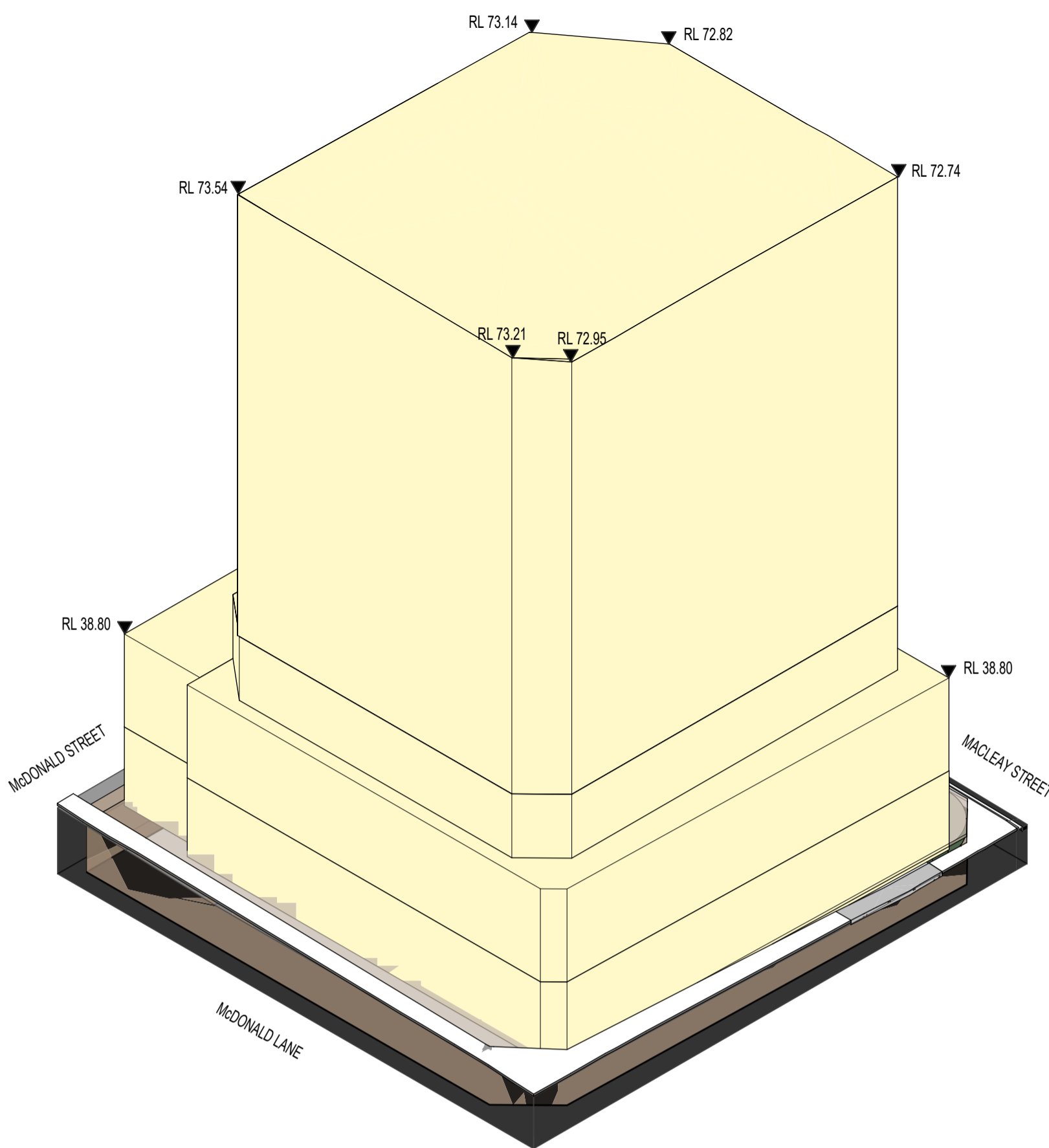
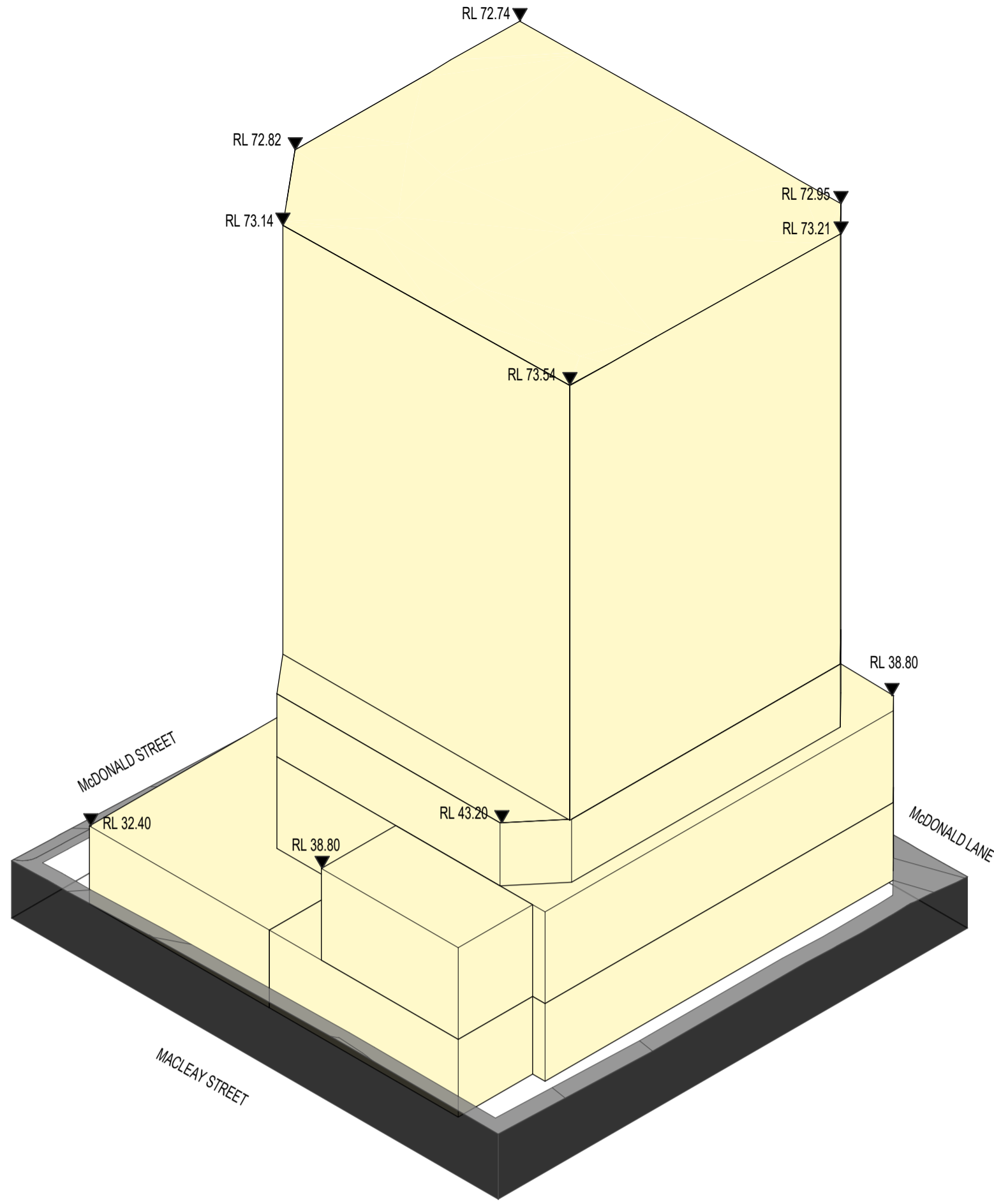
Drawn: Author
 Chk.: Checker

Job No.: 6253-A
 Drawing No.: DA-6062
 Revision: / 6

In accepting and utilising this document the recipient agrees that SJB Architecture (NSW) Pty. Ltd. ACN 081 094 724 T/A SJB Architects, retain all common law, statutory law and other rights including copyright and intellectual property rights. The recipient agrees not to use this document for any purpose other than its intended use; to waive all claims against SJB Architects resulting from unauthorised changes; or to reuse the document on other projects without prior written consent from SJB Architects. Under no circumstances shall transfer of this document be deemed a sale. SJB Architects makes no warranties of fitness for any purpose. The Builder/Contractor shall verify job dimensions prior to any work commencing. Use figured dimensions only. Do not scale drawings.
 Nominated Architects: Adam Haddow-7188 | John Pradel-7004

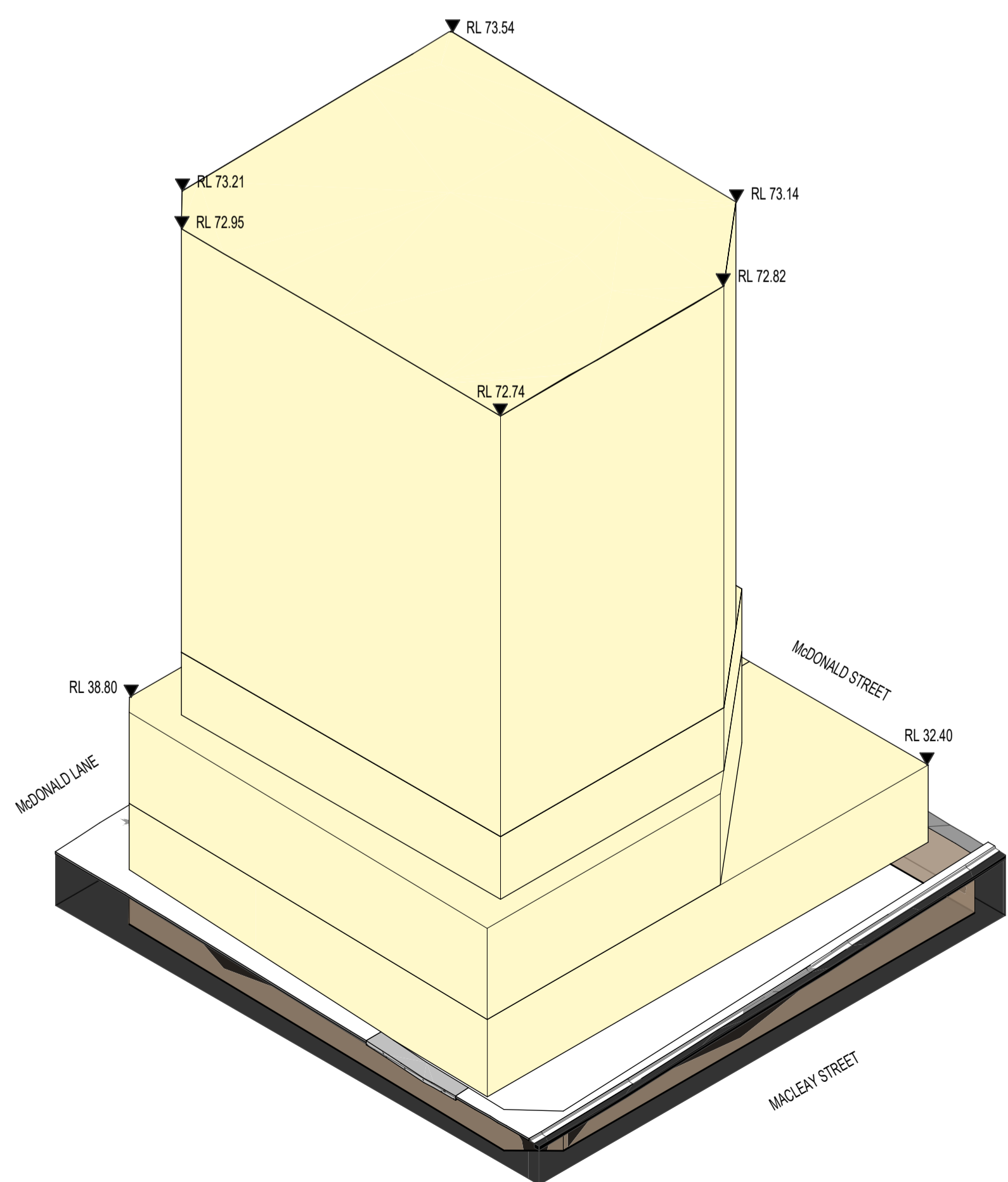
FOR APPROVAL

Rev	Date	Revision	By	Chk.
5	08.08.2025	FOR INFORMATION	JM	DM
6	12.08.2025	FOR INFORMATION	JM	DM

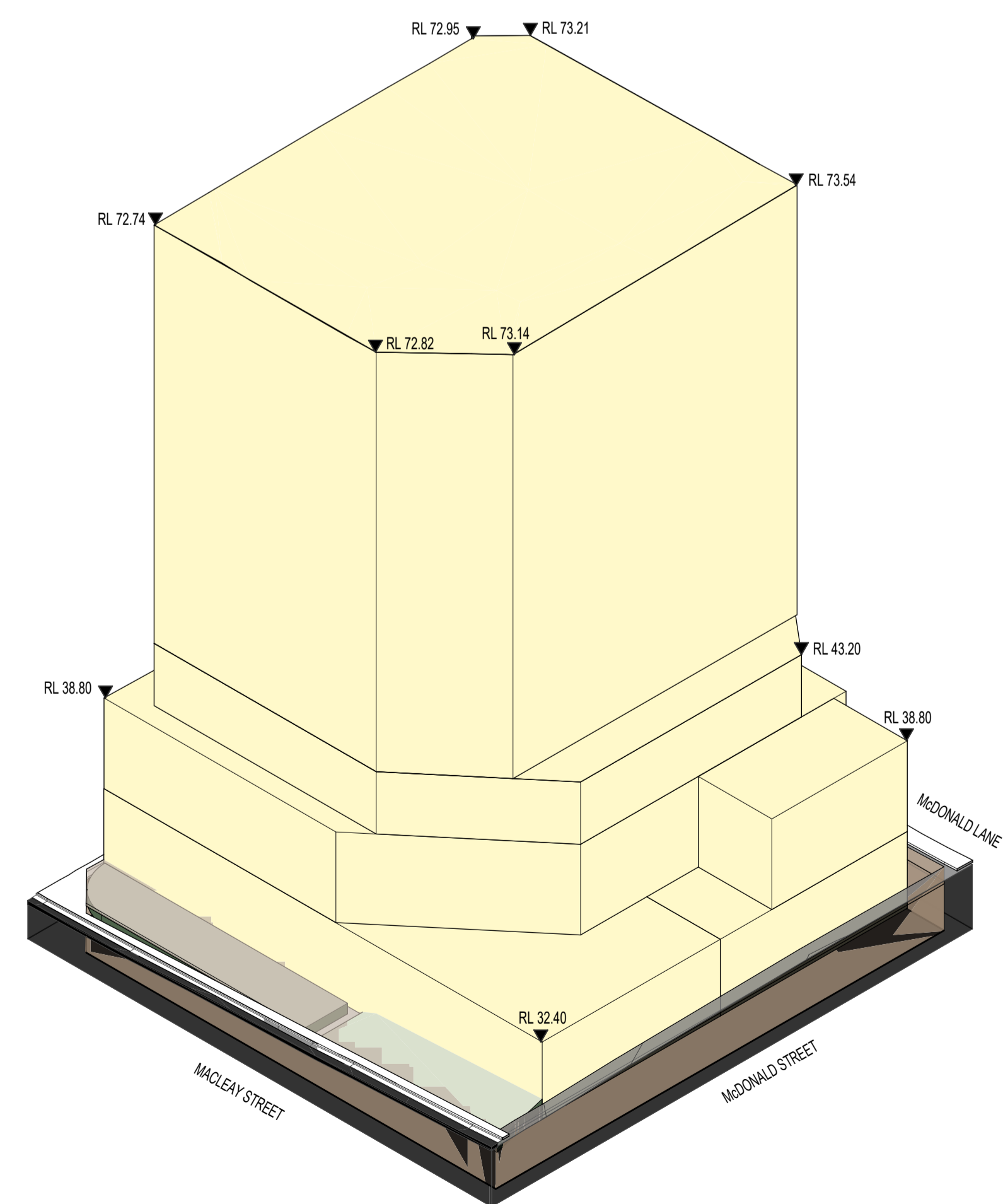


1 HEIGHT PLANE DIAGRAM_SOUTH EAST

2 HEIGHT PLANE DIAGRAM_NORTH EAST



3 HEIGHT PLANE DIAGRAM_NORTH WEST



4 HEIGHT PLANE DIAGRAM_SOUTH WEST

Client

TIME & PLACE

Project

MACLEAY STREET
45-53 MACLEAY STREET
POTTS POINT NSW

Drawing Name

HEIGHT PLANE DIAGRAM

Date Scale Sheet Size
 12.08.2025 @ A1

Drawn Chk.
 JM DM

Job No. Drawing No. Revision
6253-A DA-6063 / 6