



Nicole Brewer
Department of Planning and
Environment
12 Darcy Street
Parramatta NSW 2150

25 March 2022

Submitted via the Major Projects Planning Portal

Dear Nicole,

Silverleaf Solar Farm (SSD-9358) – Response to RFI-39195709

I refer to your request for additional information provided on 17 March 2022. As requested, ENGIE:

- Has revised drawings for the treatment of intersection of Kamilaroi Highway and Logans Lane, incorporating a Basic Left Turn (BAL) treatment (Attachment 1).
- Confirm that this revised intersection treatment will not have additional impacts on native vegetation or heritage.

Engie are committed to continue working productively with the Department on the Silverleaf Solar Farm development.

1. Contact Details

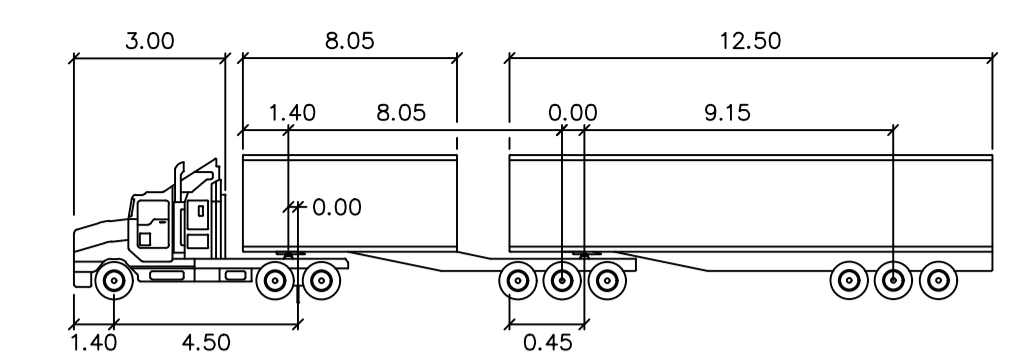
If you have questions or comments, please contact Jack Henderson – email: jack.henderson@engie.com, phone: 0439 756 594.

Yours sincerely

Jack Henderson
Project Developer, Asset Development

Silverleaf Solar Farm Pty Ltd
ABN 73 630 027 360
Level 33, Rialto South Tower,
525 Collins Street, Melbourne, Victoria 3000
Tel. +61 3 5135 5000 Fax +61 3 5135 5182 engie.com.au

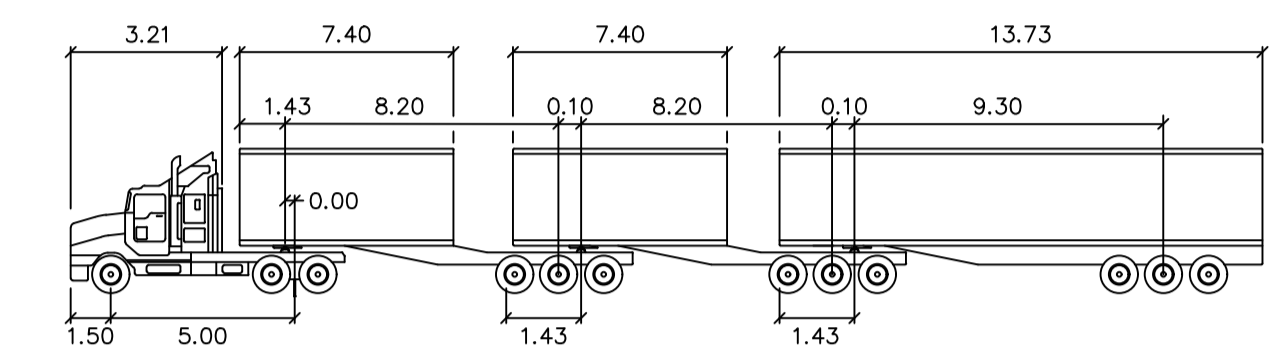
**Attachment 1 – Updated intersection design including Basic
Left Turn (BAL)**



B-DOUBLE 26M

meters			
Tractor Width	: 2.50	Lock to Lock Time	: 6.0
Trailer Width	: 2.50	Steering Angle	: 23.4
Tractor Track	: 2.50	Articulating Angle	: 70.0
Trailer Track	: 2.50		

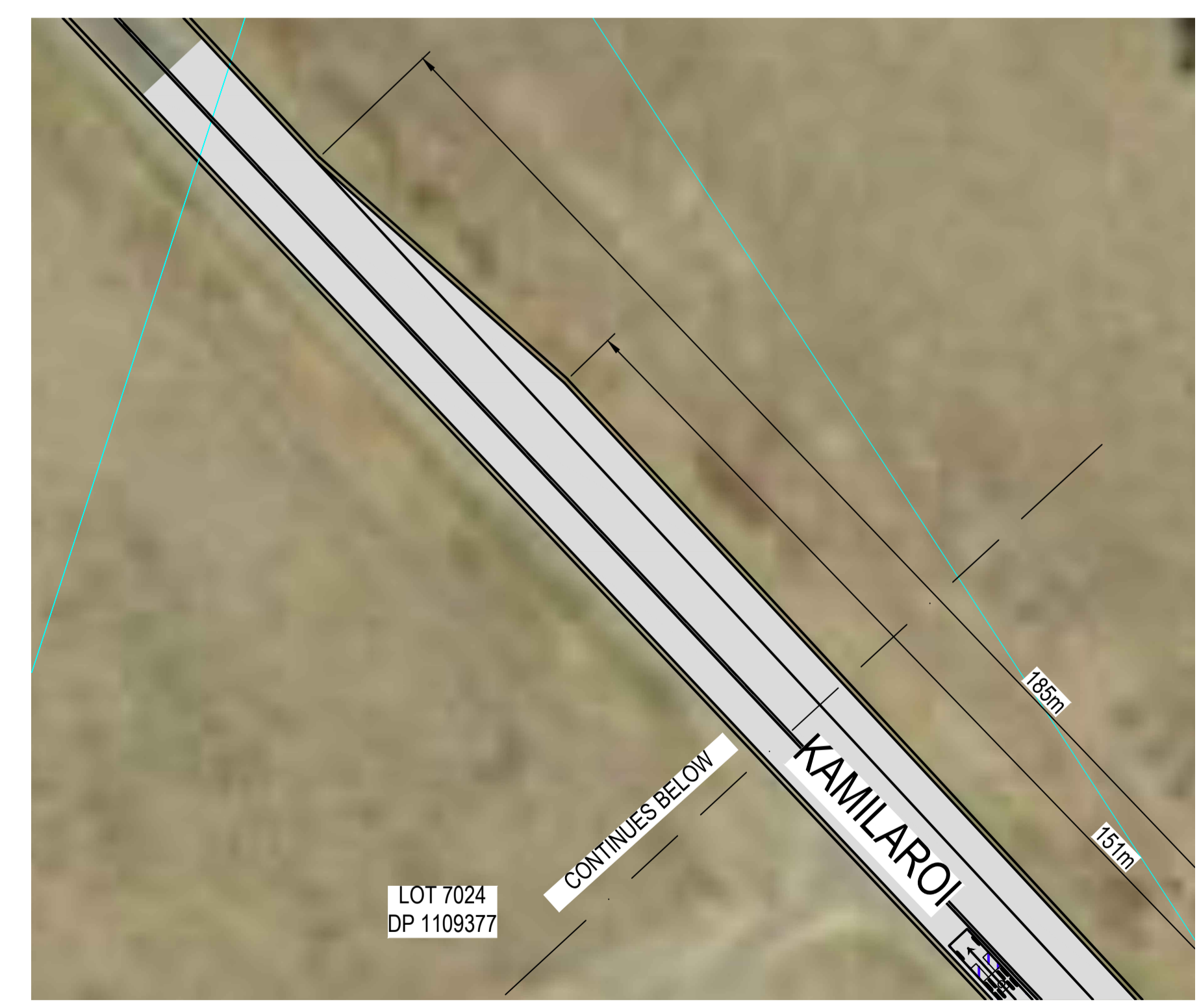
DESIGN VEHICLE PROFILE
B-DOUBLE (26.0m)



B-TRIPLE

meters			
Tractor Width	: 2.50	Lock to Lock Time	: 6.0
Trailer Width	: 2.50	Steering Angle	: 21.2
Tractor Track	: 2.50	Articulating Angle	: 70.0
Trailer Track	: 2.50		

DESIGN VEHICLE PROFILE
B-TRIPLE (35.4m)



PLAN
SCALE 1:500

- NOTES**
- ALL DIMENSIONS ARE IN METRES UNLESS NOTED OTHERWISE.
 - VEHICLE TRACKING DESIGN SPEED BASED ON 15KM/H.



PLAN
SCALE 1:500

CONCEPT

No	Revision	Note: * indicates signatures on original issue of drawing or last revision of drawing	Drawn	Job Manager	Project Director	Date
B	TEXT CHANGE				AO	
A	INFORMATION ONLY				TTN	



GHD

GHD Tower, Level 3 24 Honeysuckle Drive
Newcastle NSW 2300 Australia
PO Box 5403 Hunter Rgn Mail Cent. NSW 2310
T 61 2 4979 9999 F 61 2 4979 9988
E ntmil@ghd.com W www.ghd.com

DO NOT SCALE

Conditions of Use.
This document may only be used by GHD's client (and any other person who GHD has agreed can use this document) for the purpose for which it was prepared and must not be used by any other person or for any other purpose.

Drawn	T. NGUYEN	Designer	T. NGUYEN
Drafting Check		Design Check	
Approved (Project Director)		Date	
Scale	AS SHOWN	This Drawing must not be used for Construction unless signed as Approved	

Client	NSW GOVERNMENT
Project	NARRABRI SOLAR FARM SILVERLEAF
Title	KAMILAROI HIGHWAY / LOGANS LANE INTERSECTION UPDGRADE - BAR ONLY OPTION
Original Size	A1
Drawing No:	22-12518304-SK003
Rev:	C