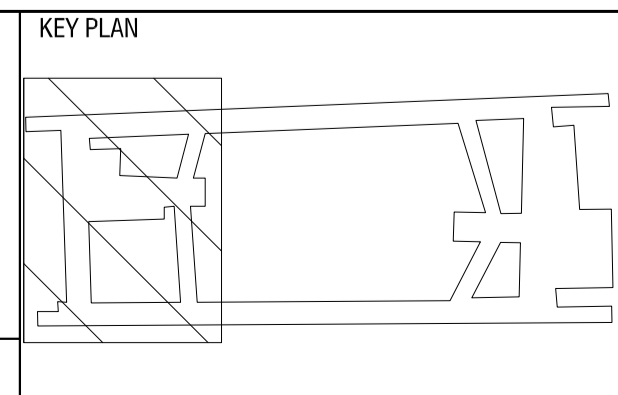
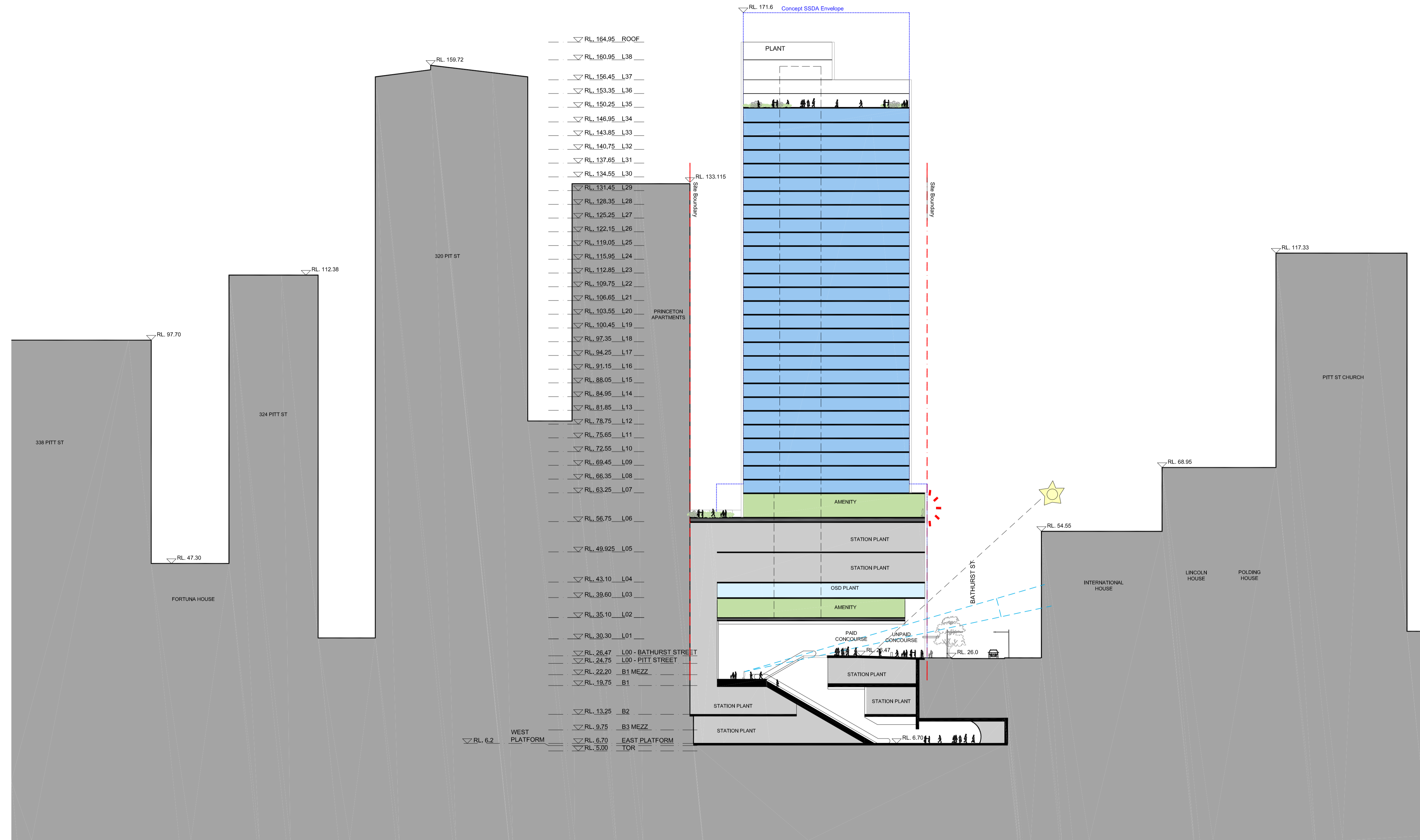


Plot Date and Time: 11/07/2017 14:39:49

100mm AT FULL SIZE



ISDP

NOTE: THIS SHEET TO BE READ IN COLOUR

CLIENT

The information shown on this drawing is for the purposes of the Sydney Metro Project only. No warranty is given or implied as to its suitability for any other purpose. The Service Providers accept no liability arising from the use of this drawing and the information shown thereon for any purpose other than the Sydney Metro Project.

SERVICE PROVIDERS

Foster + Partners	DRAWN	ML
COX	DESIGNED	Batesmart
BATESMART	DRG CHECK	Batesmart
aurecon	DESIGN CHECK	Batesmart
TTW	APPROVED	MLS

10/12/18

PITT ST INTEGRATED STATION DEVELOPMENT

Pitt St South OSD
Long Section

STATUS: For Tender	SHEET 27 OF 40	©
DRG No NWRLSRT-OSD-SPS-AT-DWG-104100	REV	[A]