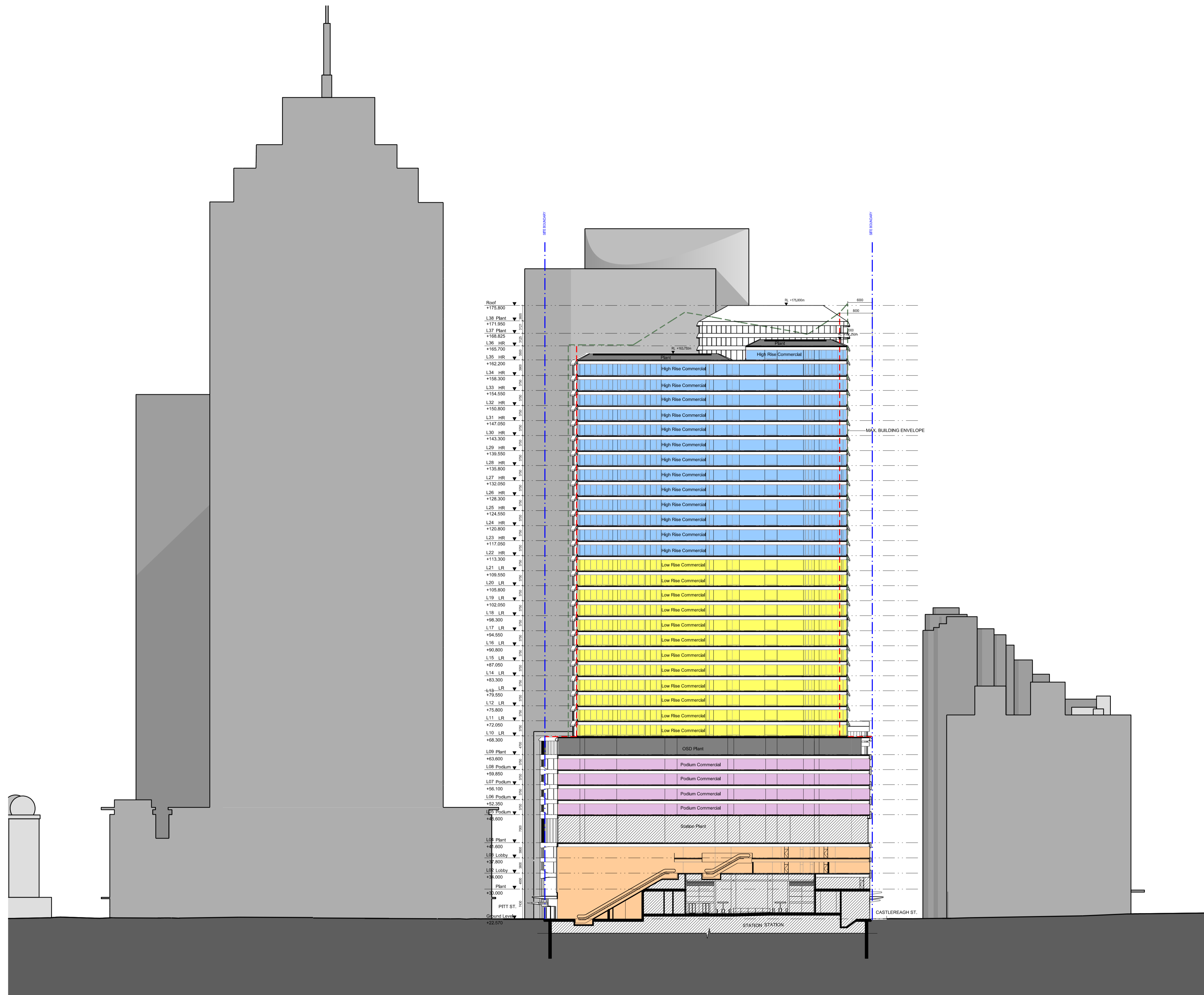


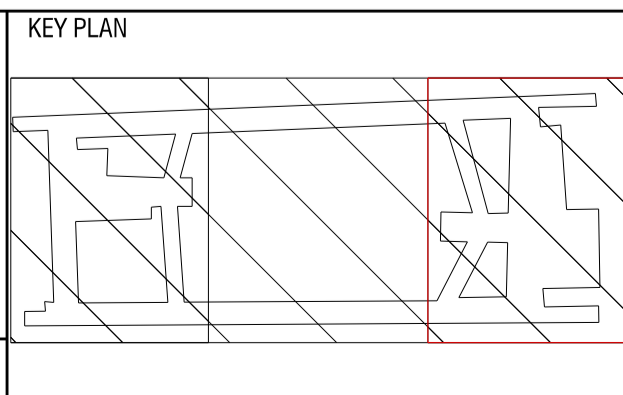
100mm AT FULL SIZE Plot Date and Time:



REV.	BY	DATE	DESCRIPTION	APPD.
C	F+P	26/07/19	GROCON CPB RFT RE-ISSUE	
B	F+P	01/03/19	GROCON CPB RFT RE-ISSUE	
A	F+P	20/12/18	GROCON CPB RFT ISSUE	

SCALE	KEY PLAN
1:500 10 m 0 10 20 m	

Co-ordinate System	Height Datum	Notes
MGA Zone 56	A.H.D.	This sheet may be prepared using colour and may be incomplete if copied



NOTE: THIS SHEET TO BE READ IN COLOUR

CLIENT

Service Providers

Foster + Partners

COX

BATESSMART

aurecon **TTW**

DRAWN SP 26/07/19

DESIGNED LB 26/07/19

DRG CHECK RP 26/07/19

DESIGN CHECK

APPROVED

PITT ST INTEGRATED STATION DEVELOPMENT

Long Section
Pitt Street North OSD

FOR TENDER	SHEET 1 OF 1	©
DRG No	NWRLSRT-OSD-SPS-AT-DWG-20-4100	REV C