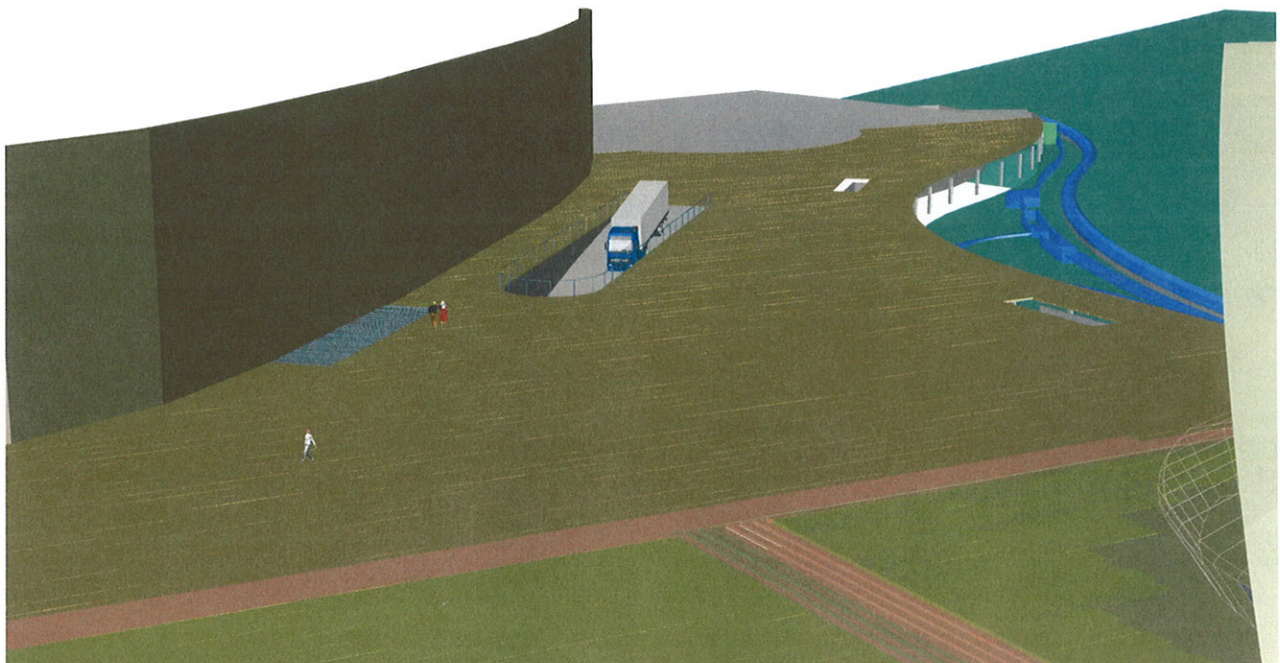
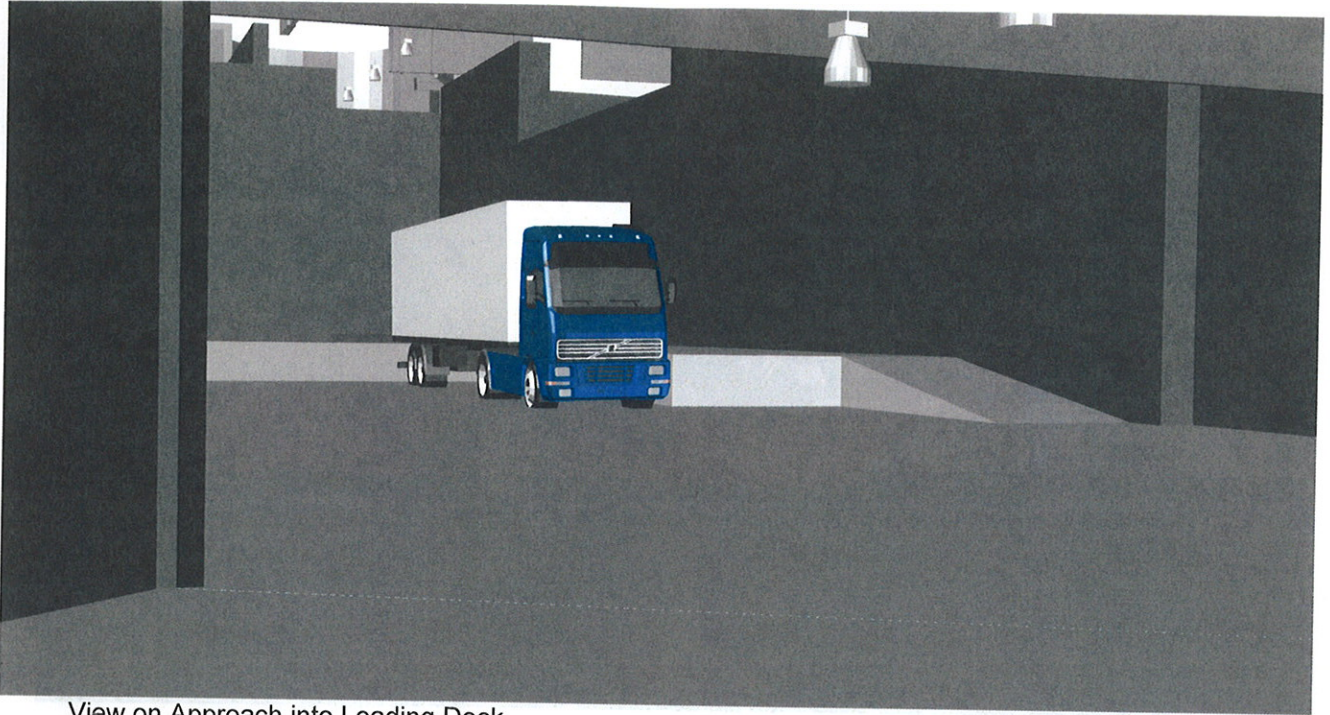


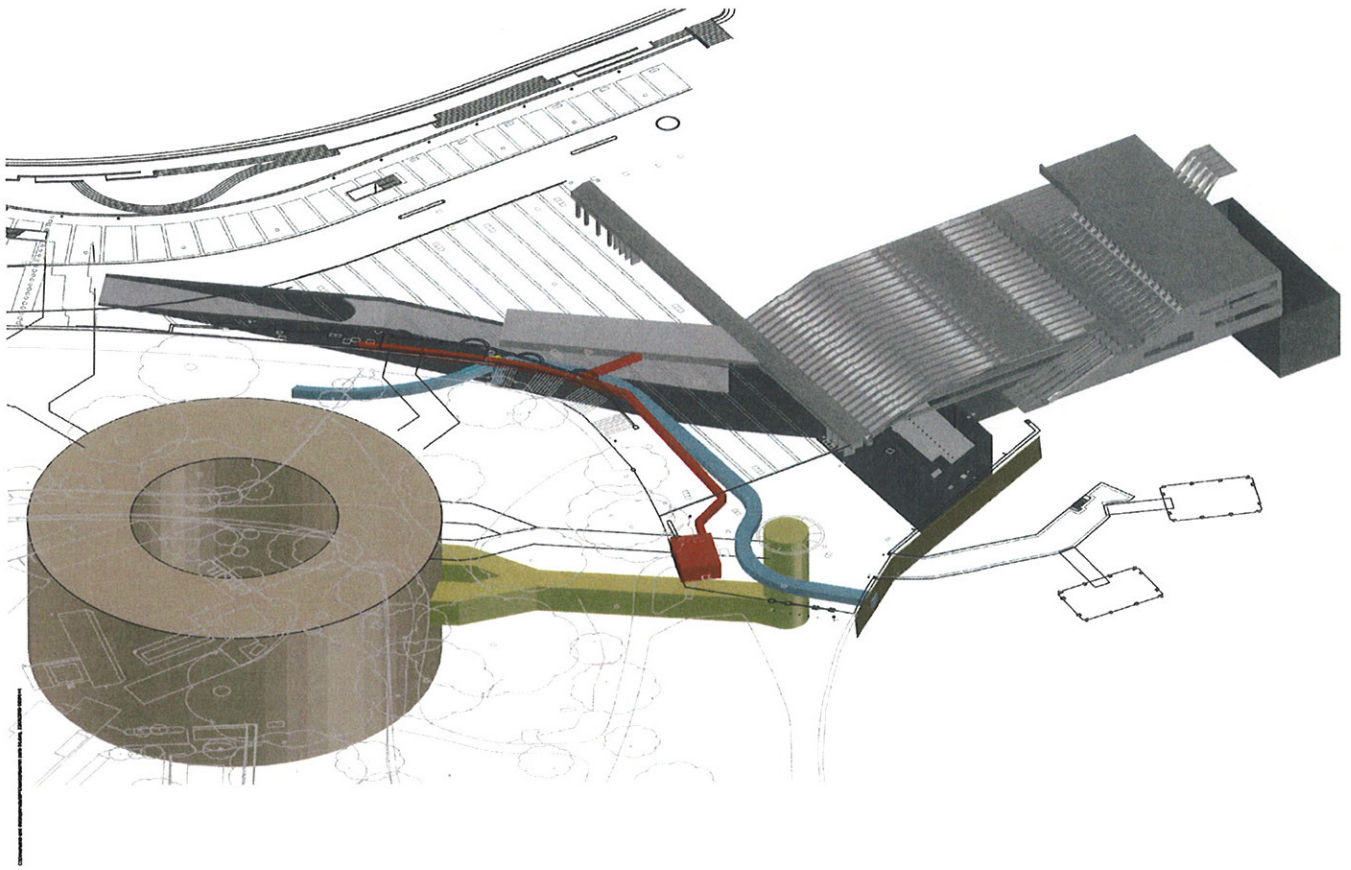
View to North From Macquarie Street Entrance
Dwg : 00 09 027 S01 RevA June 2009



Aerial View of Vehicle Entering Proposed Vehicle Access Tunnel
Dwg: 00 09 027 S01 RevA June 2009



View on Approach into Loading Dock
Dwg : 00 09 027 S01 RevA June 2009



Aerial View Of Sub-Surface Engineering Services
Dwg :00 09 028 S01 RevA June 2009

