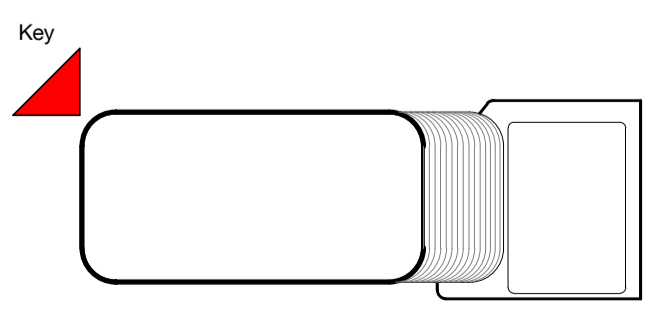


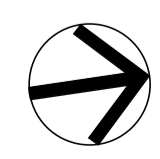


Client



1 Denison Street
North Sydney, NSW 2060

Diagrams
Photomontage 1/2



Check all dimensions and site conditions prior to commencement of any work, the purchase or ordering of any materials, fittings, plant, services or equipment and the preparation of shop drawings and or the fabrication of any components.
Do not scale drawings - refer to figured dimensions only. Any discrepancies shall immediately be referred to the architect for clarification.
All drawings may not be reproduced or distributed without prior permission from the architect.

Scale	@ A1
Drawn	WH
Checked	JF
Project no.	s12055
Status	Pre Section 75W
Plot Date	10/11/2016 6:00:09 PM
BIM	1DENISON_BS_ARCH
Drawing no.	DA10.001
Revision	01

Melbourne 1 Nicholson Street
Melbourne VIC 3000 Australia
T 03 8664 6200 F 03 8664 6300
email mel@batesmart.com.au
http://www.batesmart.com.au

Sydney 43 Brisbane Street
Surry Hills NSW 2010 Australia
T 02 8354 5100 F 02 8354 5199
email syd@batesmart.com.au
http://www.batesmart.com.au

Bates Smart Pty Ltd ABN 70 004 999 400



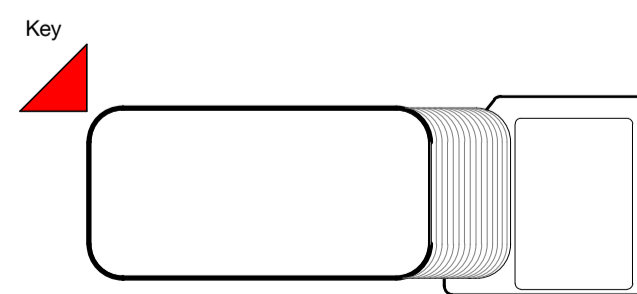
Revision	Date	Description	Initial	Checked
01	11.11.16	MP08-0238 MOD 7	WH	JF



Client



**WINTEN
PROPERTY
GROUP**



**1 Denison Street
North Sydney, NSW 2060**

Diagrams
Photomontage 2/2

Check all dimensions and site conditions prior to commencement of any work, the purchase or ordering of any materials, fittings, plant, services or equipment and the preparation of shop drawings and or the fabrication of any components.
Do not scale drawings - refer to figured dimensions only. Any discrepancies shall immediately be referred to the architect for clarification.
All drawings may not be reproduced or distributed without prior permission from the architect.

Scale	@ A1
Drawn	WH
Checked	JF
Project no.	s12055
Status	Pre Section 75W
Plot Date	10/11/2016 6:00:10 PM
BIM	1DENISON_BS_ARCH
Drawing no.	DA10.002
Revision	01

Melbourne 1 Nicholson Street
Melbourne VIC 3000 Australia
T 03 8664 6200 F 03 8664 6300
email mel@batesmart.com.au
http://www.batesmart.com.au

Sydney 43 Brisbane Street
Surry Hills NSW 2010 Australia
T 02 8354 5100 F 02 8354 5199
email syd@batesmart.com.au
http://www.batesmart.com.au

Bates Smart Pty Ltd ABN 70 004 999 400

01	11.11.16	MP108-0238 MOD 7	WH	JF
Revision	Date	Description	Initial	Checked

BATESSMART™