

# **Appendix G**

## **Typical Staff Bicycle Parking Arrangement**

This page intentionally left blank

# Typical staff bicycle parking arrangement

## 14 Bicycle Racks

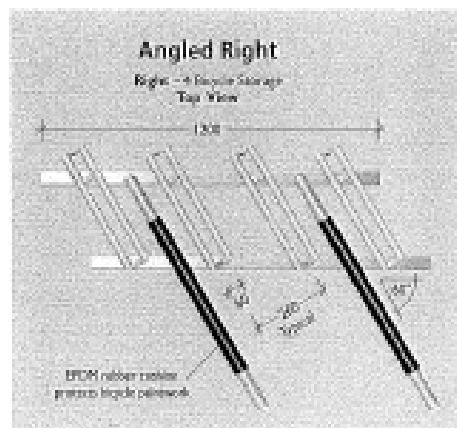
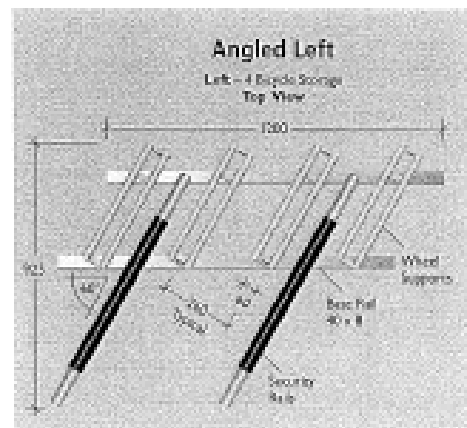
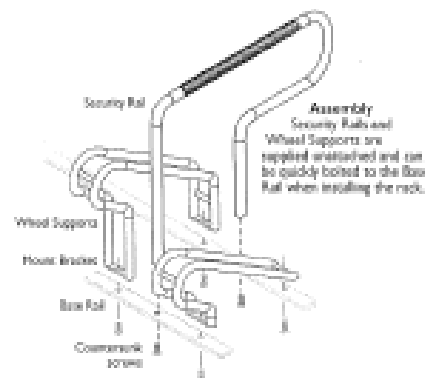
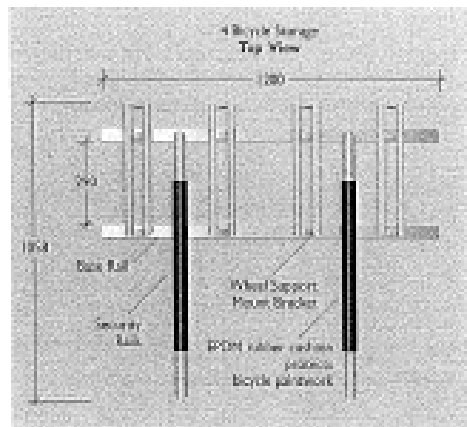
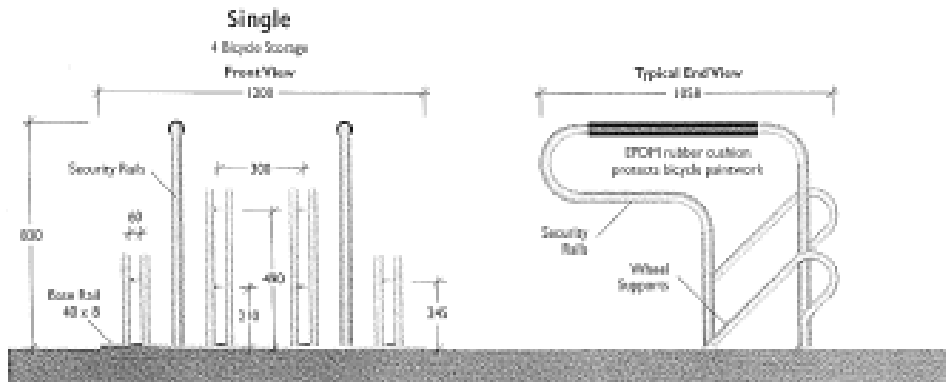
### Compact Security CBR45C



It fits in  
standard compartment

**Material** Hot-Dip Galvanized Pipe  
Rails – 32x4(30.8) x 2.1mm  
Supports – 30x4(28.7) x 2.6mm  
**Finish** Galvanized / powder coated in glides yellow

The Compact Security Bicycle Rack is supplied in flatpack and can be quickly assembled to provide Single, Double Sided or Angled units (Refer page 15 for Double Sided units)



This page intentionally left blank

# **Appendix H**

## **Typical Visitor Bicycle Parking Arrangement**

This page intentionally left blank

Typical visitor bicycle parking arrangement



This page intentionally left blank