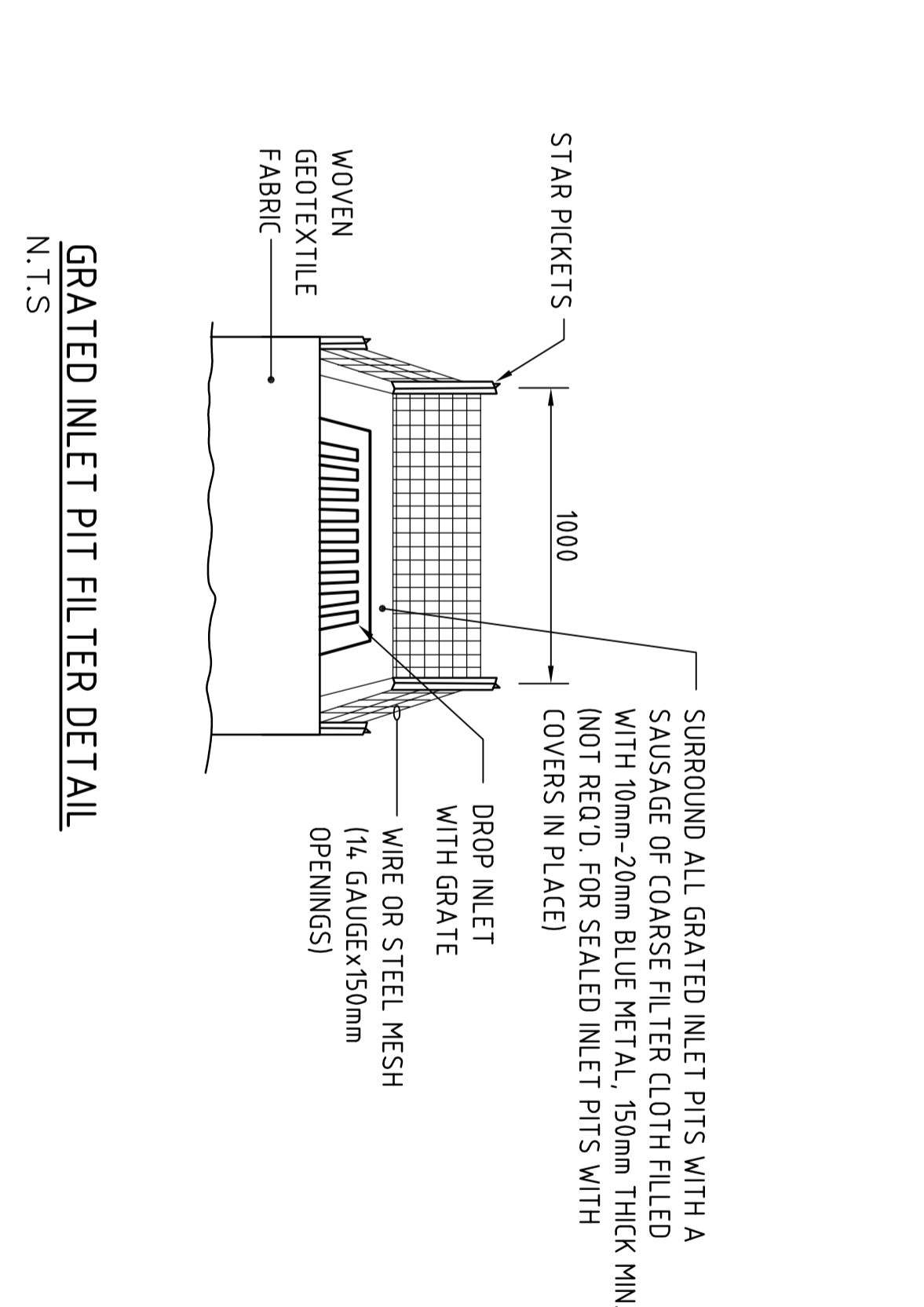
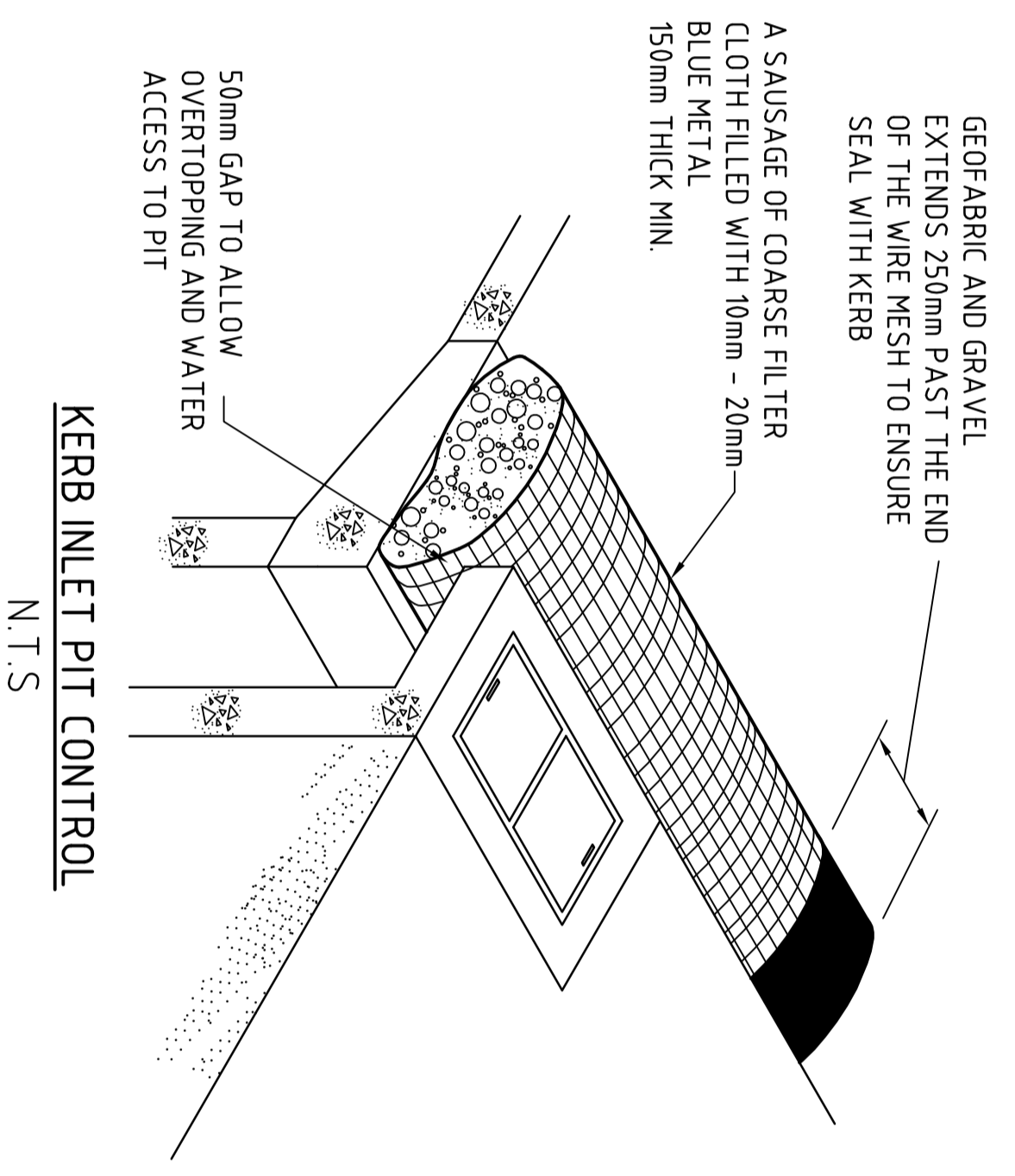
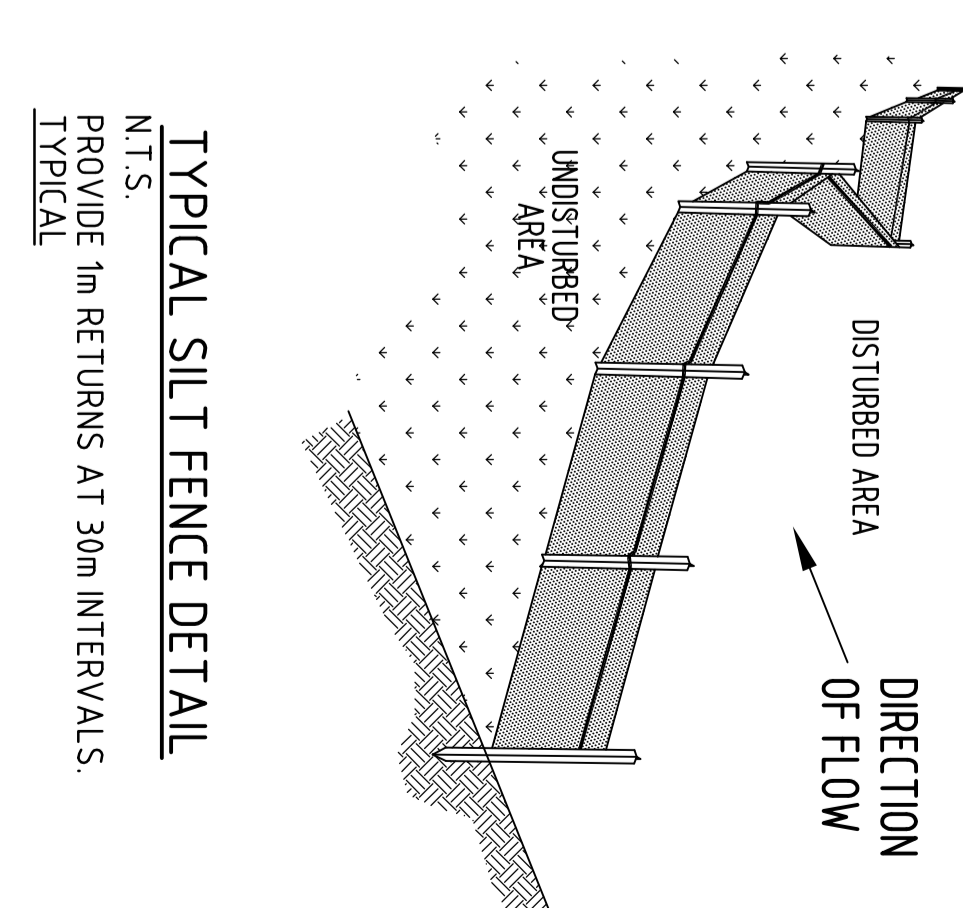
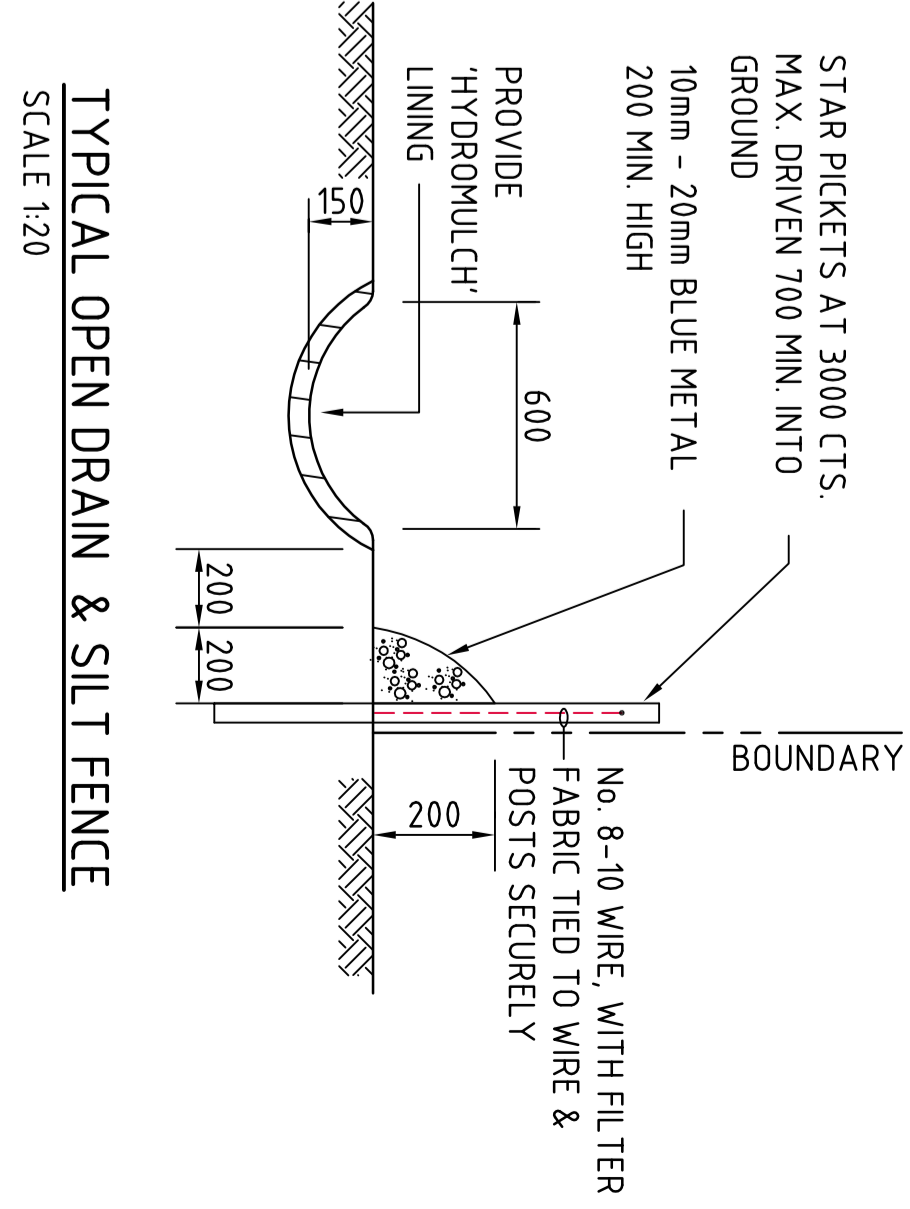
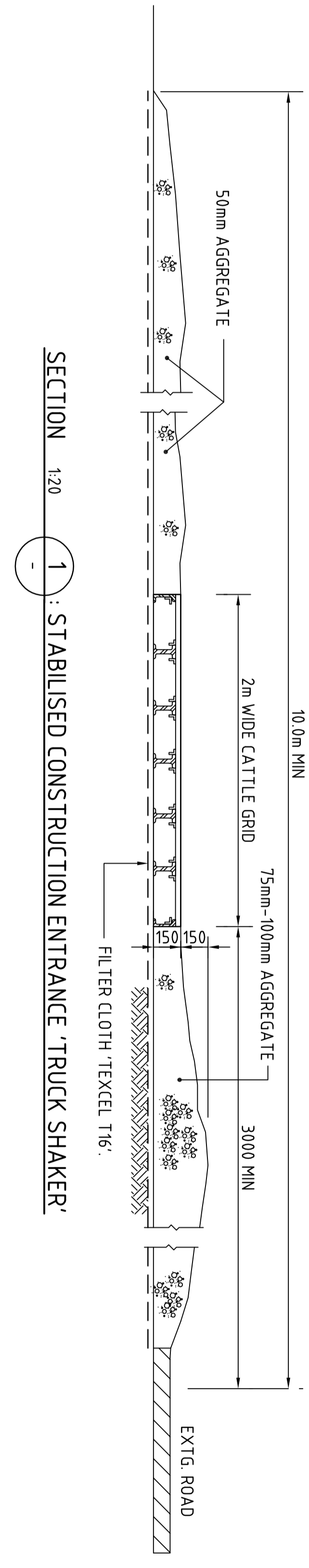


BREAKLINE - FOR CONTINUATION REFER TO DRAWING C011888.00-C22



NOTE: ADOPT ABOVE DETAILS AROUND ALL PITS WITHIN AREA ENCOMPASSED BY SILT FENCE & TO PITS ON THE ROAD ADJACENT TO SITE BOUNDARY.



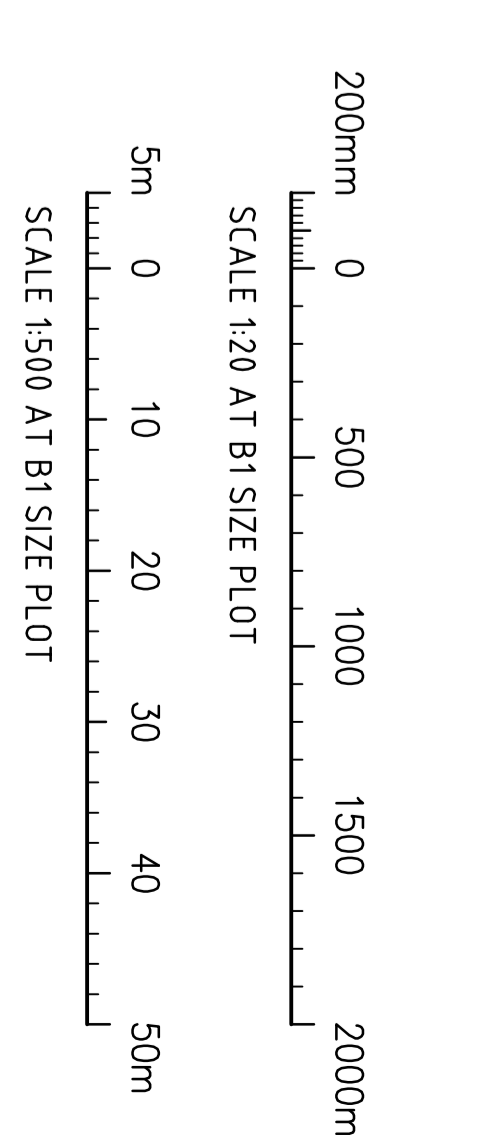
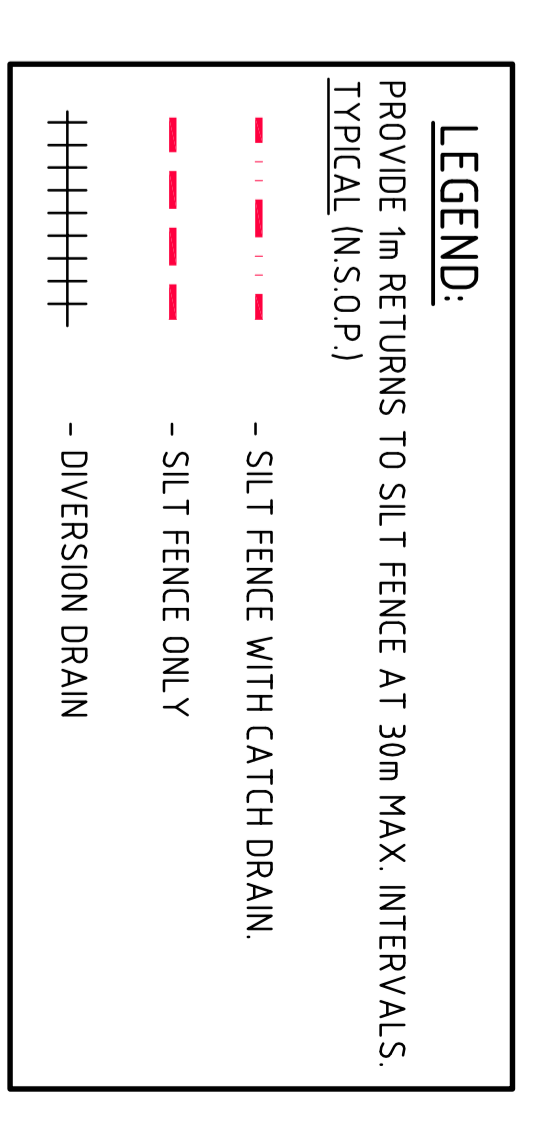
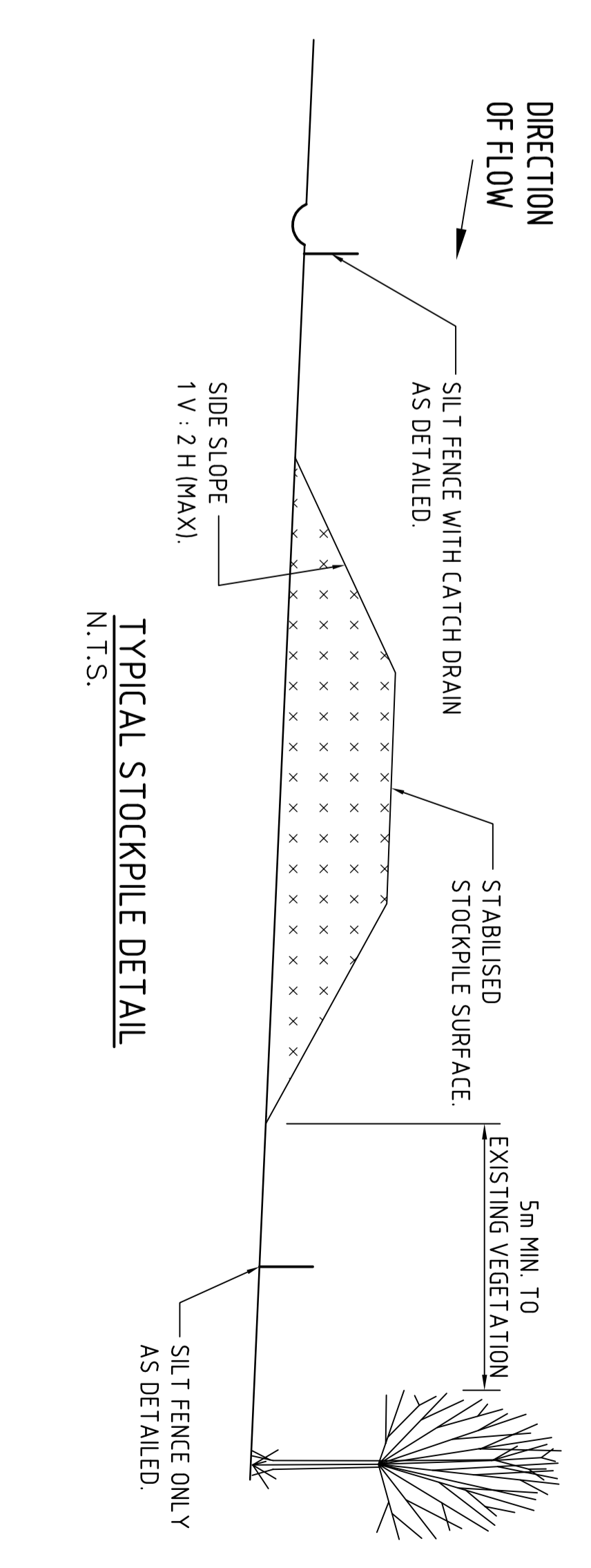
EROSION CONTROL NOTES

ALL CONTROL WORK INCLUDING DIVERSION BANKS AND CATCH DRAINS, V-DRAINS AND SILT FENCES SHALL BE COMPLETED DIRECTLY FOLLOWING THE COMPLETION OF THE EARTHWORKS.

- SILT FENCES AND SILT FENCE RETURNS SHALL BE ERECTED CONVEX TO THE CONTOUR TO POND WATER.
- HAY BALE BARRIERS AND GEO-FABRIC FENCES ARE TO BE CONSTRUCTED TO JOE OF BATTER, PRIOR TO COMMENCEMENT OF EARTHWORKS, IMMEDIATELY AFTER CLEARING OF VEGETATION AND BEFORE REMOVAL OF TOP SOIL.
- ALL TEMPORARY EARTH BERM, DIVERSION AND SILT DAM EMBANKMENTS ARE TO BE MACHINE COMPACTED, SEEDED AND MULCHED FOR TEMPORARY VEGETATION COVER AS SOON AS THEY HAVE BEEN FORKED.
- CLEAR WATER IS TO BE DIVERTED AWAY FROM DISTURBED GROUND AND INTO THE DRAINAGE SYSTEM.
- THE CONTRACTOR IS RESPONSIBLE FOR MAINTAINING AND PROVIDING ON GOING ADJUSTMENT TO EROSION CONTROL MEASURES AS REQUIRED DURING CONSTRUCTION.
- ALL SEDIMENT TRAPPING STRUCTURES AND DEVICES ARE TO BE INSPECTED AFTER STORMS FOR STRUCTURAL DAMAGE OR CLOGGING, TRAPPED MATERIAL IS TO BE REMOVED TO A SAFE, APPROVED LOCATION.
- ALL FINAL EROSION PREVENTION MEASURES INCLUDING THE ESTABLISHMENT OF GRASSING ARE TO BE MAINTAINED UNTIL THE END OF THE DEFECTS LIABILITY PERIOD.
- ALL EARTHWORKS AREAS SHALL BE ROLLED ON A REGULAR BASIS TO SEAL THE EARTHWORKS.
- ALL FILL AREAS ARE TO BE LEFT WITH A BUND AT THE TOP OF THE SLOPE AT THE END OF EACH DAY'S EARTHWORKS. THE HEIGHT OF THE BUND SHALL BE A MINIMUM OF 200MM.
- ALL CUT AND FILL SLOPES ARE TO BE SEEDED AND MULCHED WITHIN 10 DAYS OF COMPLETION OF FORMATION.
- AFTER REVEGETATION OF THE SITE IS COMPLETE AND THE SITE IS STABLE IN THE OPINION OF A SUITABLY QUALIFIED PERSON ALL TEMPORARY WORK SUCH AS SILT FENCE, DIVERSION DRAINS ETC SHALL BE REMOVED.
- ALL TOPSOIL STOCKPILES ARE TO BE SUITABLY COVERED TO THE SATISFACTION OF THE CONTRACT ADMINISTRATOR TO PREVENT WIND AND WATER EROSION.
- ANY AREA THAT IS NOT APPROVED BY THE CONTRACT ADMINISTRATOR FOR CLEARING OR DISTURBANCE BY THE CONTRACTOR'S ACTIVITIES SHALL BE CLEARLY MARKED AND SIGN POSTED, FENCED OFF OR OTHERWISE APPROPRIATELY PROTECTED AGAINST ANY SUCH DISTURBANCE.
- ALL STOCKPILE SITES SHALL BE SITUATED IN AREAS APPROVED FOR SUCH USE BY THE CONTRACT ADMINISTRATOR. A 6m BUFFER ZONE SHALL EXIST BETWEEN STOCKPILE SITES AND ANY STREAM OR FLOW PATH. ALL STOCKPILES SHALL BE ADEQUATELY PROTECTED FROM EROSION AND CONTAMINATION OF THE SURROUNDING AREA BY USE OF THE MEASURES APPROVED IN THE EROSION AND SEDIMENTATION CONTROL PLAN.
- ACCESS AND EXIT AREAS SHALL INCLUDE SHAKE-DOWN OR OTHER METHODS APPROVED BY THE CONTRACT ADMINISTRATOR FOR THE REMOVAL OF SOIL MATERIALS FROM MOTOR VEHICLES.
- THE CONTRACTOR IS TO ENSURE RUNOFF FROM ALL AREAS WHERE THE NATURAL SURFACE IS DISTURBED BY CONSTRUCTION, INCLUDING ACCESS ROADS, DEPOT AND STOCKPILE SITES, SHALL BE FREE OF POLLUTANTS BEFORE IT IS EITHER DISPERSED TO STABLE AREAS OR DIRECTED TO NATURAL WATERCOURSES.
- THE CONTRACTOR SHALL PROVIDE AND MAINTAIN SLOPES, CROUNTS AND DRAINS ON ALL EXCAVATIONS AND EMBANKMENTS TO ENSURE SATISFACTORY DRAINAGE AT ALL TIMES WATER SHALL NOT BE ALLOWED TO POND ON THE WORKS UNLESS SUCH PONDING IS PART OF AN APPROVED ESCP / SWMP.
- THE CONTRACTOR SHALL INCORPORATE THE MEASURES ON THIS PLAN WITHIN THE CONTRACTORS CONSTRUCTION MANAGEMENT PLAN.

STOCKPILE NOTES

- PLACE ALL STOCKPILES IN LOCATIONS MORE THAN 5m FROM EXISTING VEGETATION, ROADS & HAZARD AREAS.
- CONSTRUCT ON THE CONTOUR AS LOW, FLAT ELONGATED MOUNDS.
- SIDE SLOPE TO BE 1V:2 H MAX.
- WHERE THERE IS SUFFICIENT AREA, TOPSOIL STOCKPILES SHALL BE LESS THAN 2m IN HEIGHT.
- WHERE STOCKPILES ARE TO BE IN PLACE FOR MORE THAN 10 DAYS, STABILISE USING WOOD CHIP MULCH - 16 TONNE/ha.
- CONSTRUCT SILT FENCE WITH CATCH DRAIN ON UPSLOPE SIDE TO DIVERT WATER AROUND STOCKPILES & SILT FENCE ONLY 1 TO 2m DOWNSLOPE AS SHOWN.



FORM 575W APPLICATION	7.11.12	B
FORM INFORMATION ONLY	30.10.12	A
AMENDMENTS	DATE	ISSUE

ARCHITECT
AXIS ARCHITECTURE
4 / 11Z GROUNDULA
GROUNDULA, NSW 2230

CLIENT
LOGOS PROPERTY GROUP
SUITE 12/02 / 167 MACQUARIE STREET
SYDNEY, NSW 2000

PRODUCT
**PROPOSED WAREHOUSE
SUPER RETAIL GROUP**
133-145 LENORE LANE, ERSKINE PARK, NSW

Costin Roe Consulting Pty Ltd.
Consulting Engineers
Level 1, 8 Windmill Street
Maitland, NSW 2320
Phone: 02 9381 3300
email: maitland@costinroe.com.au

Costin Roe

Consulting
EROSION AND SEDIMENT CONTROL
PLAN & DETAILS - SHEET 1
DRAWING TITLE
DRAWING No: C011888.00-C21

FOR 575W APPLICATION