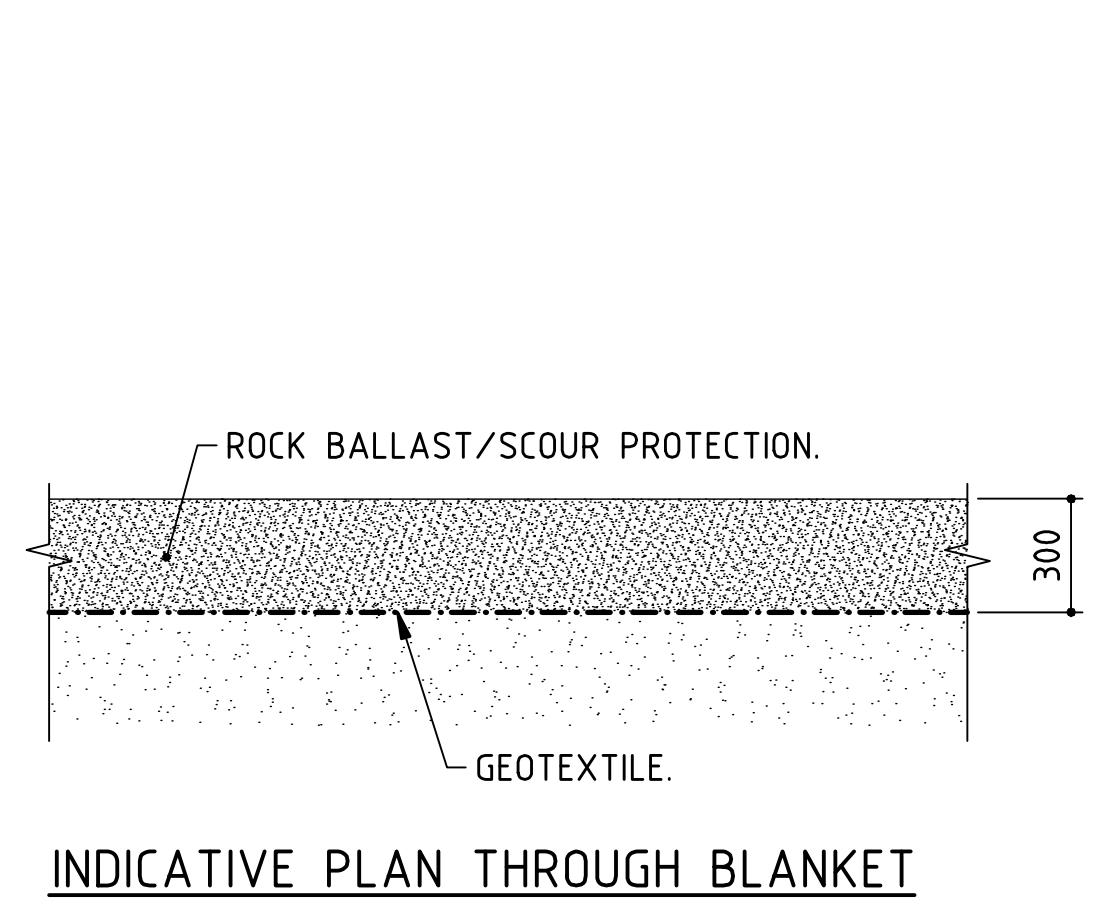
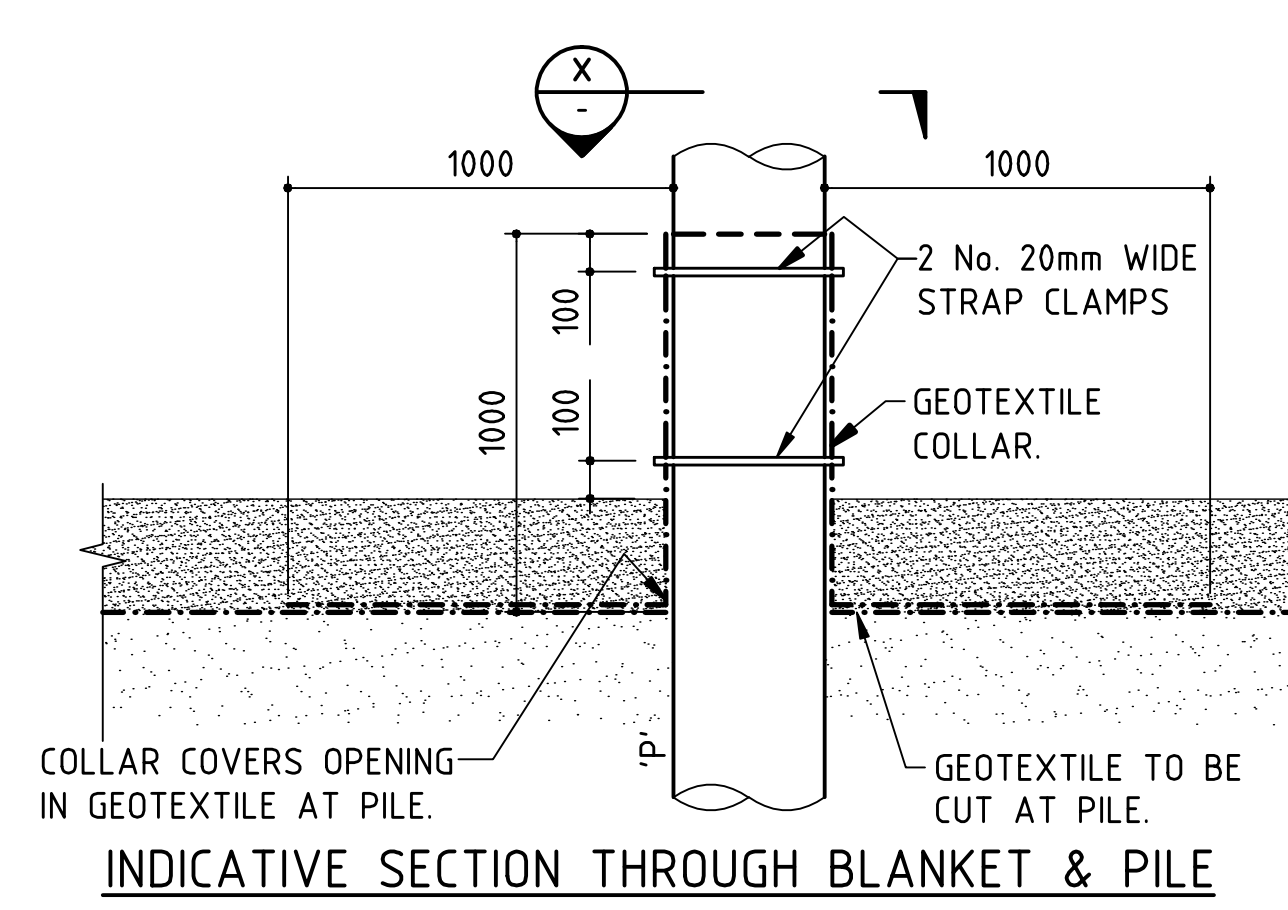


SCALE 1:500  
 PLAN  
 (14) MAXIMUM LENGTH OF VESSEL FOR BERTH  
 ⚓ SOP : SET OUT POINT.

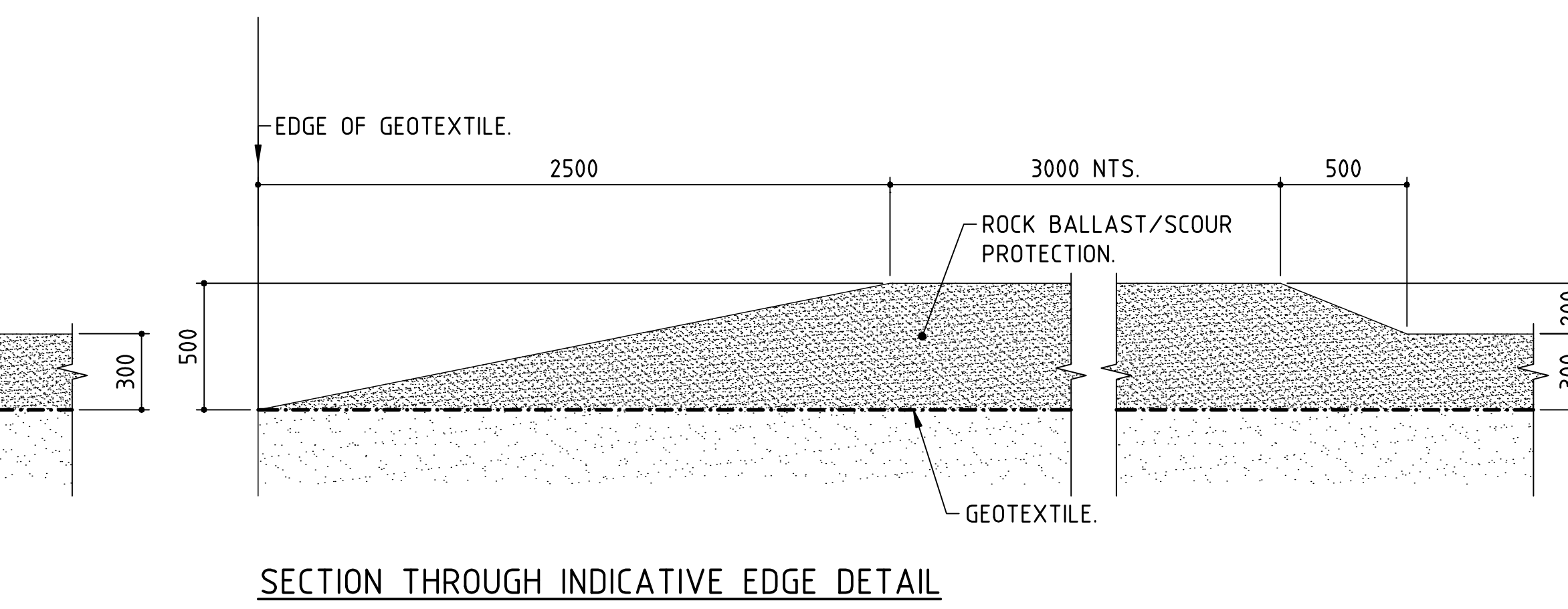


INDICATIVE PLAN THROUGH BLANKET

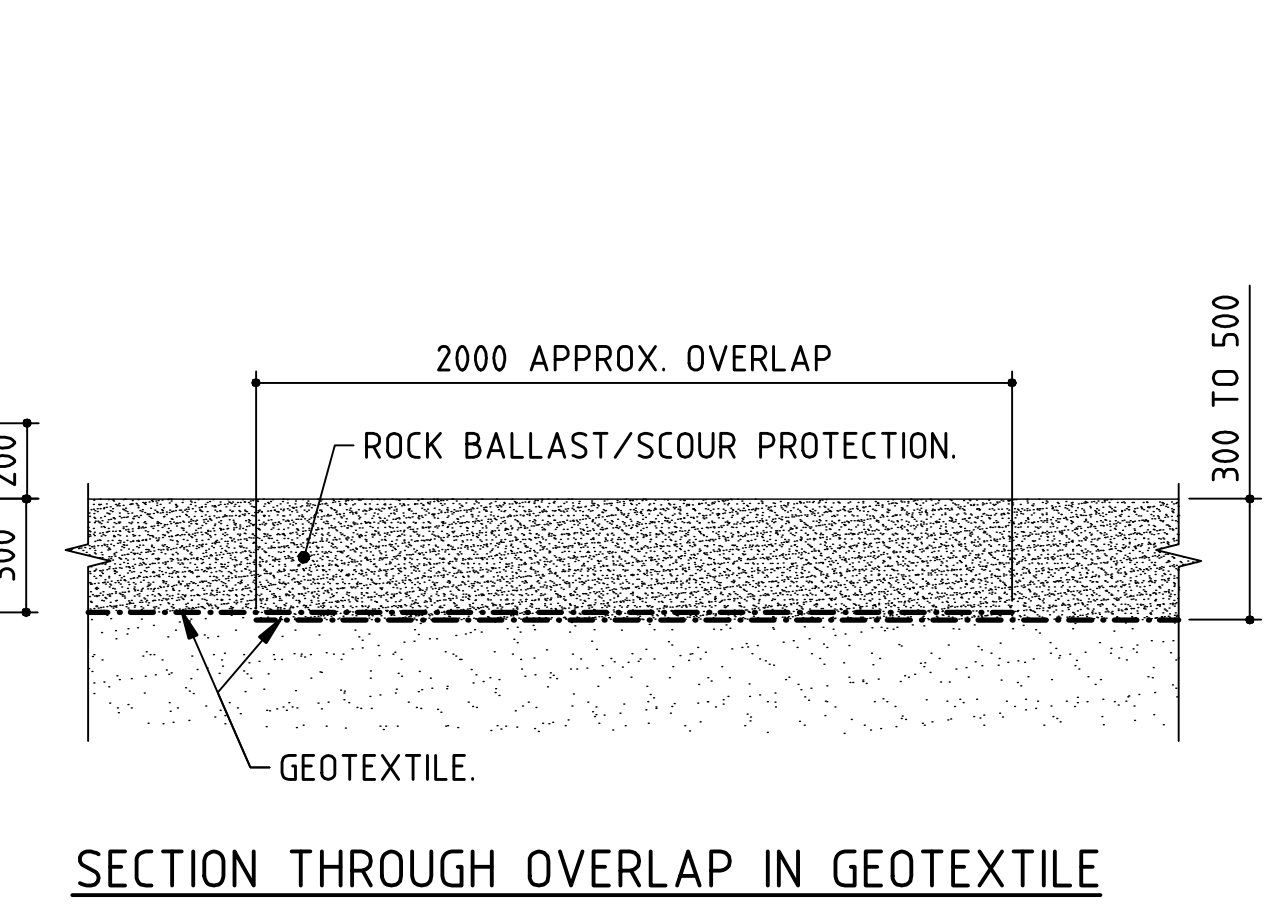


INDICATIVE SECTION THROUGH BLANKET & PILE

- PILE PLACED THROUGH CUTS IN BLANKET MADE BY DIVERS.  
 - COLLAR PLACED AND SECURED BY DIVERS AFTER PILE INSTALLATION HAS BEEN COMPLETED.



SECTION THROUGH INDICATIVE EDGE DETAIL



SECTION THROUGH OVERLAP IN GEOTEXTILE

04 : PROJECT APPLICATION	01.03.11
03 : PROJECT APPLICATION	09.10.09
02 : PROJECT APPLICATION	14.07.09
01 : PROJECT APPLICATION	09.07.09



BED TREATMENT

Design H.B.	Scales 1:20 UNO	Job No. 01013
Drawn S.K.	Date 22.04.09	Dwg. No. DA06
App'd.	Sheet Size B1	Rev. No. 04

THIS DRAWING IS TO BE READ IN CONJUNCTION WITH DRAWING No. DA01

