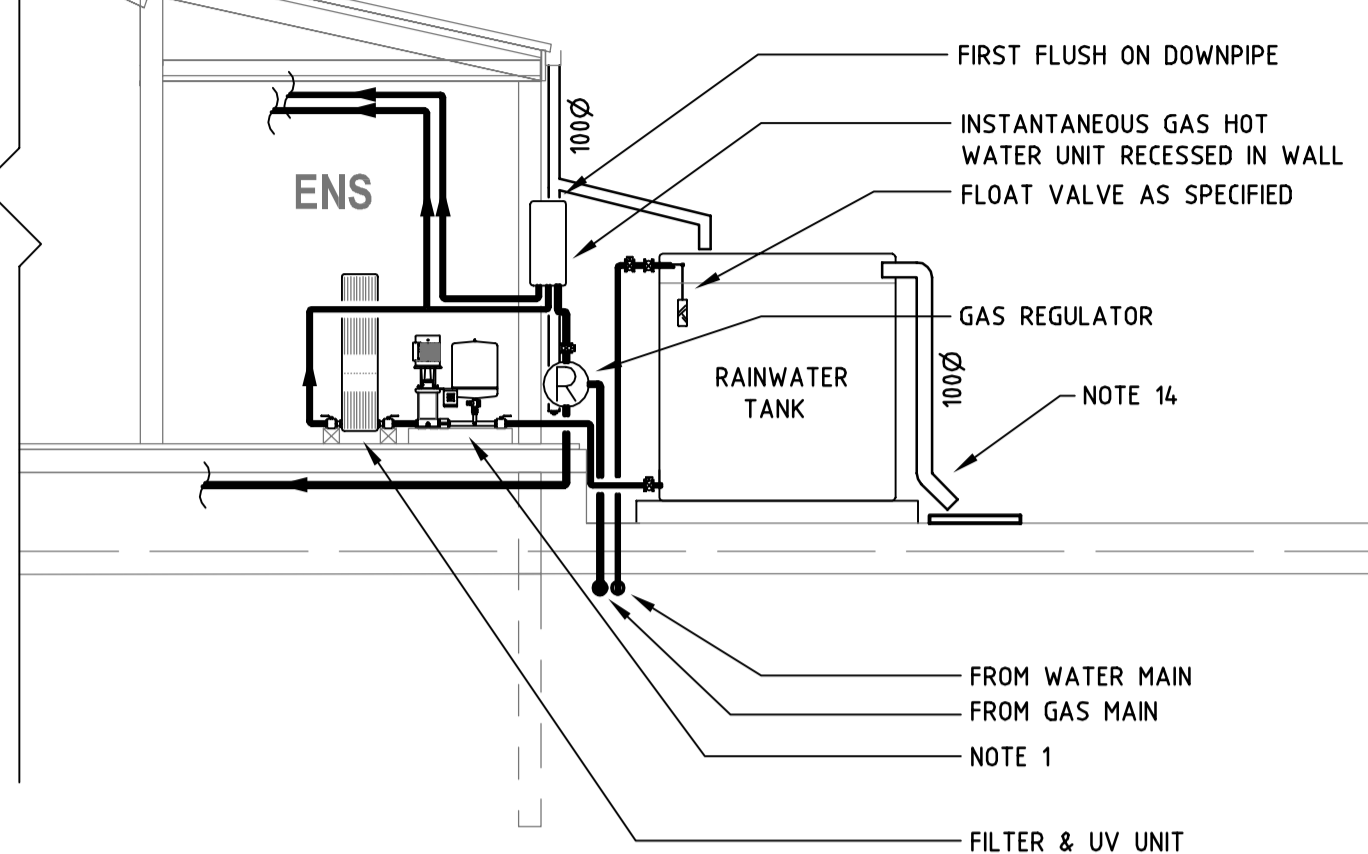
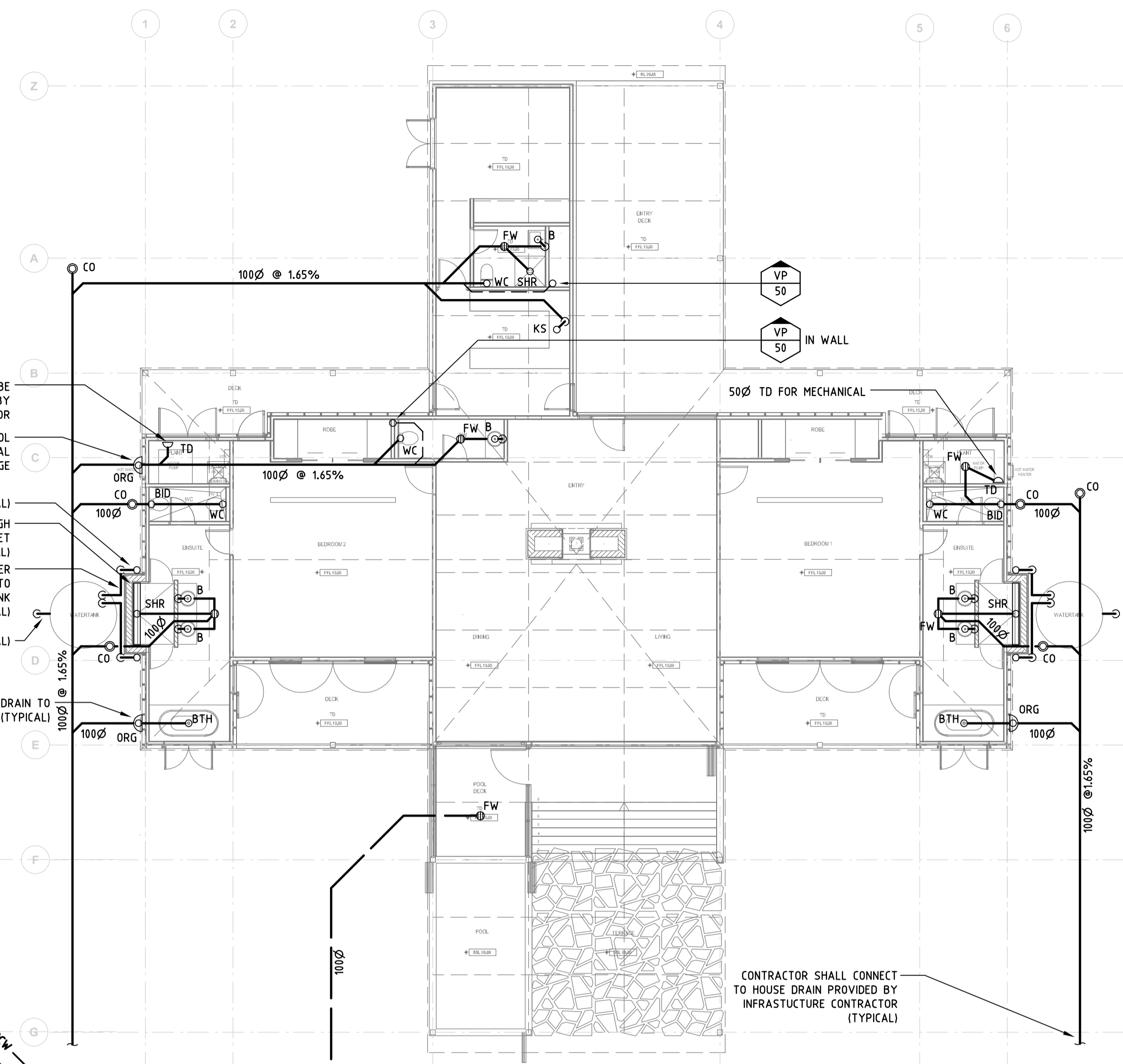


TYPICAL PLANT ROOM DETAIL
NOT TO SCALE

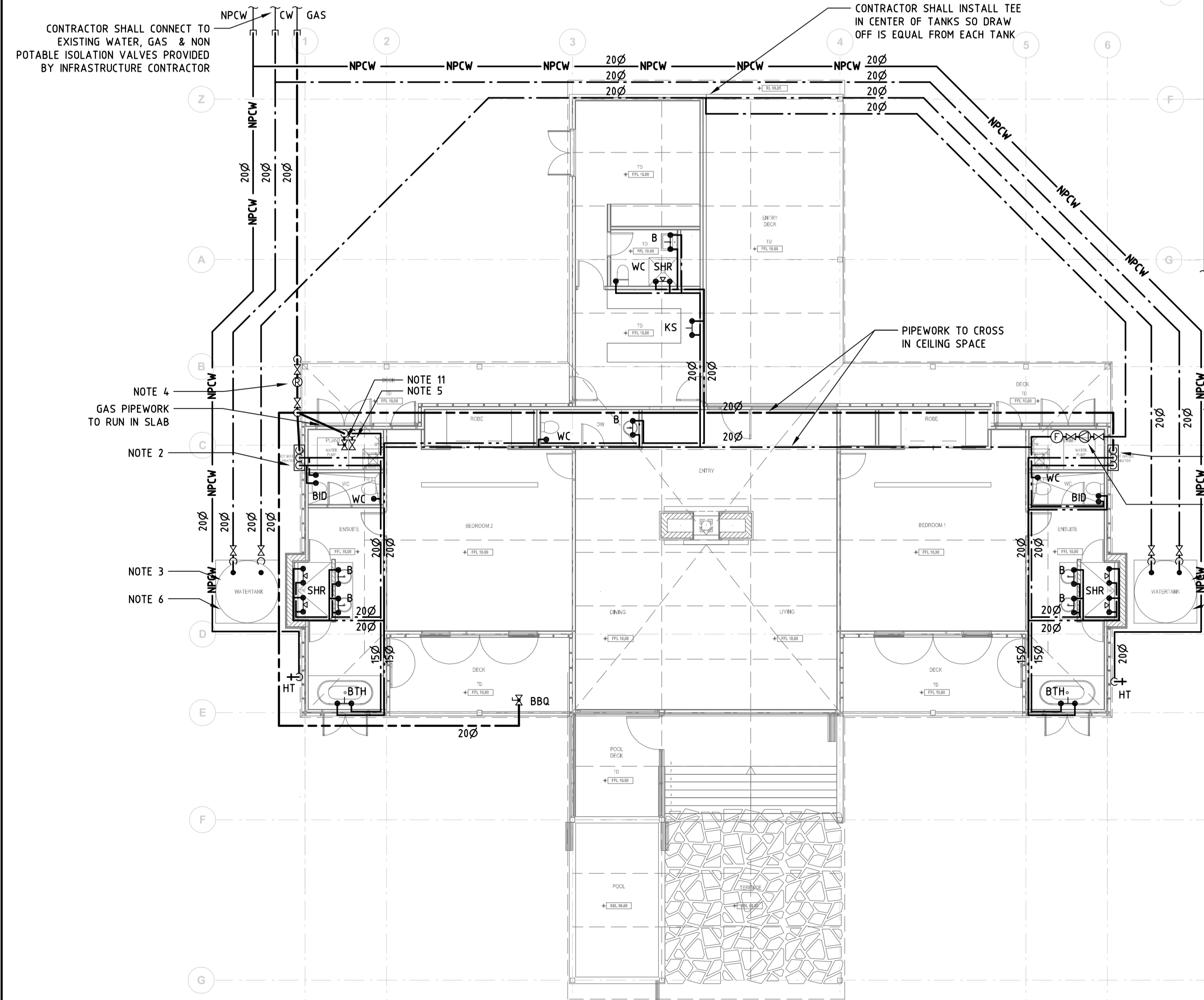


TYPICAL PLANT ROOM SECTION
NOT TO SCALE

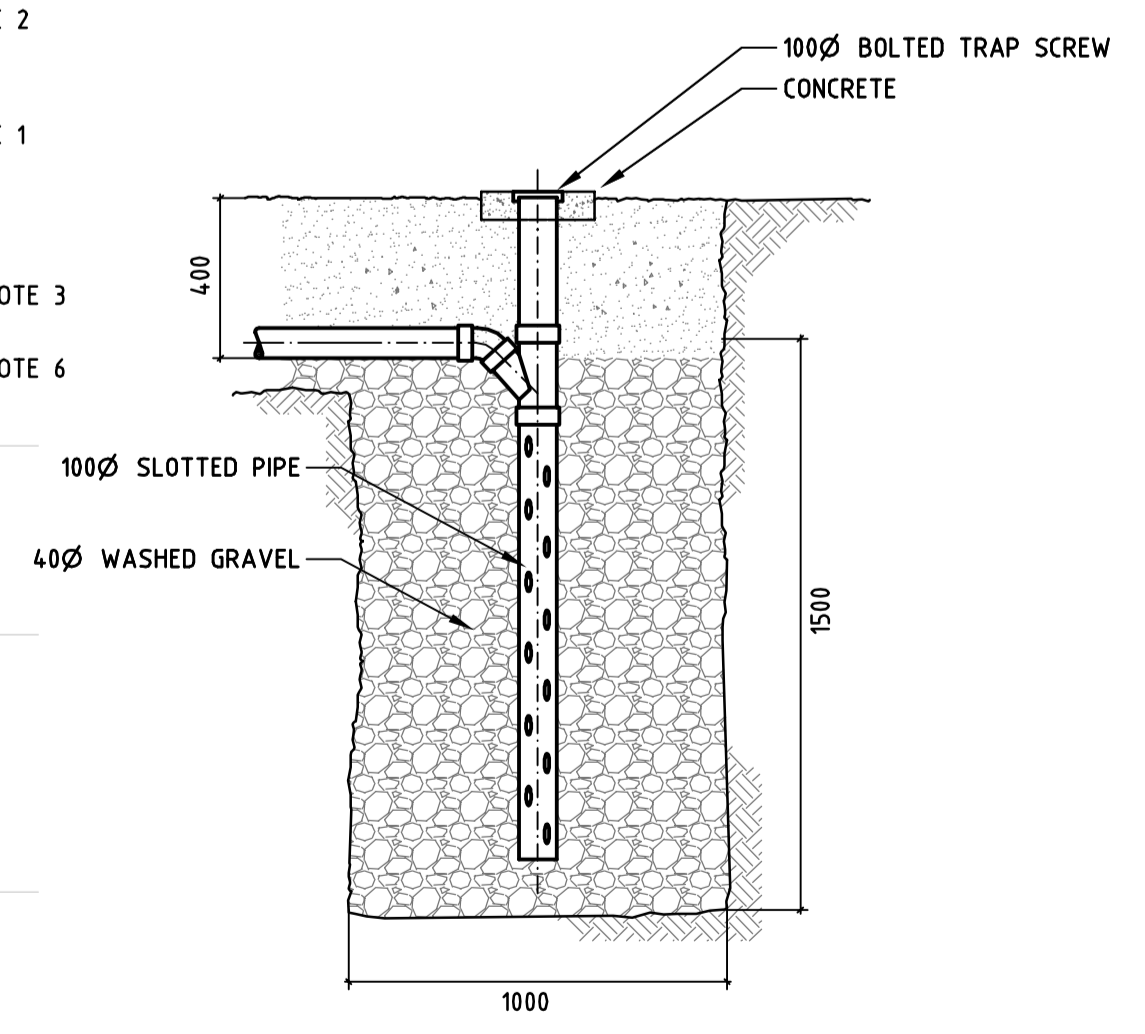
100Ø TD LOCATION TO BE CO-ORDINATED ON-SITE BY POOL CONTRACTOR
DISCONNECTOR GULLY FOR POOL BACKWASH & MECHANICAL CONDENSATE DISCHARGE
FIRST FLUSH (TYPICAL)
70x1700 GRATA TYPE TROUGH FLOOR WASTE WITH 40mm OUTLET (TYPICAL)
DP CONNECTING INTO RAINWATER TANK MADE FROM ZINCALUME TO MATCH ROOF AND TANK (TYPICAL)
NOTE 14 (TYPICAL)
MECHANICAL CONDENSATE DRAIN TO DISCHARGE TO ORG (TYPICAL)



DRAINAGE LAYOUT



WATER & GAS LAYOUT



TYPICAL SOAKAGE PIT DETAIL
NOT TO SCALE

NOTE:

- CONTRACTOR SHALL SUPPLY AND INSTALL PUMPS AS SPECIFIED.
- CONTRACTOR SHALL SUPPLY AND INSTALL INSTANTANEOUS GAS. HOT WATER SYSTEM AS SPECIFIED.
- 3,000 LITRE RAINWATER TANK AS SPECIFIED.
- CONTRACTOR SHALL SUPPLY AND INSTALL 2.75Kpa GAS REGULATOR LOCATED OUTSIDE.
- CONTRACTOR SHALL PROVIDE CV FOR CONNECTION TO POOL PUMPS.
- CONTRACTOR SHALL INSTALL RAINWATER TANK ON CONCRETE SLAB.
- CONTRACTOR SHALL INSTALL GAS PIPEWORK IN SLAB.
- CONTRACTOR SHALL REFER TO INTERIOR ARCHITECT DRAWINGS FOR ALL LOCATIONS OF BATHROOM FIXTURES AND TAP WARE.
- BATH WASTE SHALL BE 50Ø WITH 65x50Ø FITTED PLAZZI TRAP IN GROUND.
- BASIN WASTE TO BE "P" TRAPPED BACK INTO WALL REFER TO INTERIOR ARCHITECT DOCUMENT FOR TAP TYPE.
- CONTRACTOR SHALL INSTALL 20Ø GAS BALL VALVE FOR CONNECTION TO POOL HEATER.
- SOAKAGE PIT AS PER DETAIL.
- VENT COWLS TO ALL VENT PIPES TO BE MOSQUITO PROOF. CHINA MAN HAT TYPE.
- RAINWATER TANK OVERFLOW PIPE TO DISCHARGE ONTO 600x600x50 CONCRETE PAVER.

NOTE : SYMBOLS ARE DRAWN IN THE CORRECT POSITION BUT ARE NOT SHOWN TO SCALE

Issue	Date	Amendment	Int.	App.
1	19.10.06	TENDER REVIEW ISSUE	AM	DC



Client:
CliftonConey Group
CLIFTON CONEY GROUP PTY LTD
Level 18, Clitgroup Centre
SYDNEY NSW 2000
T 02 9287 2100
F 02 9287 2188

Architect:
TURNER + ASSOCIATES
LEVEL 1/ 586 CROWN STREET
SURRY HILLS NSW 2010
T 02 9690 2855
F 02 9690 2411
NOMINATED ARCHITECT: Nicholas Turner 6695
DLQ QUALITY ENDORSED COMPANY ISO 9001:2000
LICENCE NUMBER 4168

Hydraulic Consultant:
STEVE PAUL & PARTNERS
SPP
Level 3 - 432 Kent St.
SYDNEY NSW 2000
Ph (02) 9261 1300
Fax (02) 9261 1600
A.C.N.: 088 131 793 A.B.N.: 78 088 131 793
EMAIL: mail@sydspap.com.au
WEBSITE: http://www.stevepaulpartners.com

Project:
**EMIRATES LUXURY RESORT
WOLGAN VALLEY**

Drawing Title:
**HYDRAULIC SERVICES
OWNERS VILLA
PLAN**
**SANITARY PLUMBING,
WATER AND GAS LAYOUT**

North Point:
Design: MATTHEW ADAM
Design Validated: DARREN CAMPBELL
Amendment Approved:
Drawn: RYAN PETKOVICH
Date: AUGUST 2006 Scale: (A1) 1:100 (A3)
Job No: S05066 - H - 104 - TR - 1
Disc: Dwg No: Stage: Issue:
FILE NAME & PATH: Q:\NSR\2005\325266 - Emirates Luxury Resort - Uthmaniyah\NSR\CAD Section\SP - Drawing\HYDRAULICS\H-104-OWNERS VILLA.dwg
PLOT DATE & TIME: 19 Dec 2006 - 2:45pm
PLOTTED BY: me