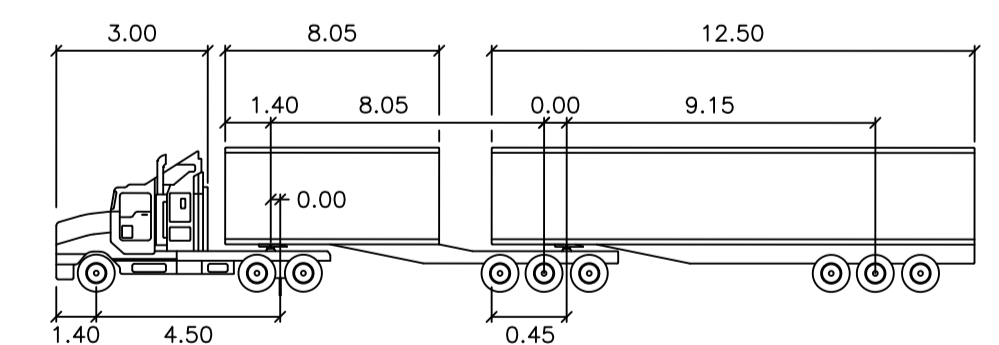


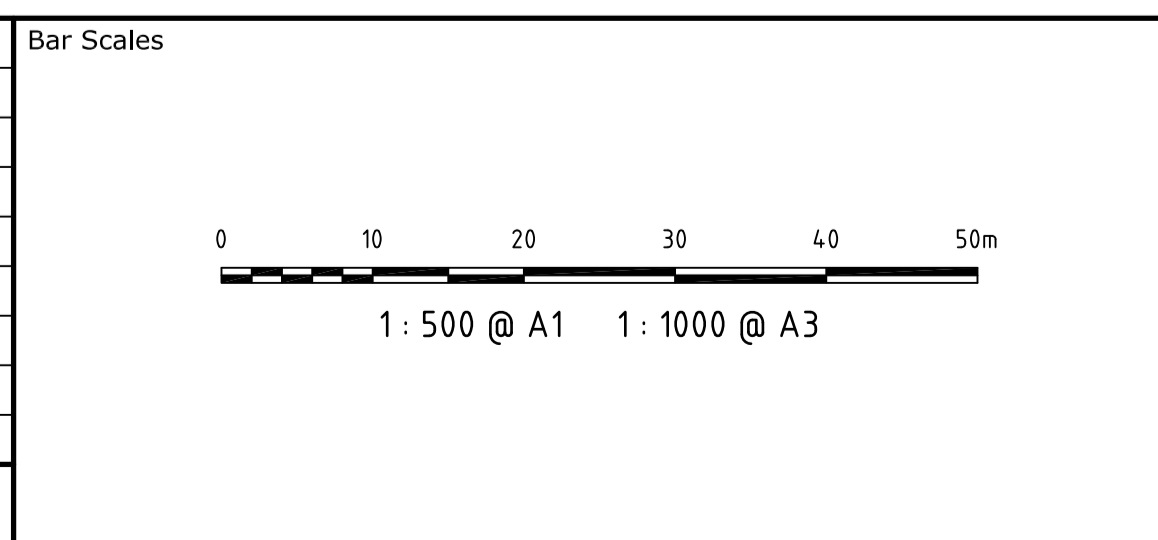
B-DOUBLE TURN PATH
SCALE 1:500



B-DOUBLE 26M meters

Tractor Width	: 2.50	Lock to Lock Time	: 6.0
Trailer Width	: 2.50	Steering Angle	: 23.4
Tractor Track	: 2.50	Articulating Angle	: 70.0
Trailer Track	: 2.50		

Issue	Description	Date
A	ISSUED FOR INFORMATION	15-05-15



THIS DRAWING CANNOT BE COPIED OR REPRODUCED IN ANY FORM OR USED FOR ANY OTHER PURPOSE OTHER THAN THAT ORIGINALLY INTENDED WITHOUT THE WRITTEN PERMISSION OF AT&L

Client
DIAL A DUMP

Scales 1 : 750	Drawn	FX
	Designed	FX
	Checked	AM
Grid MGA	Approved	
Height Datum AHD		

Project
PRE SORT CENTRE EASTERN CREEK

Title
TURN PATH

Civil Engineers and Project Managers

at&l

Suite 702, 154 Pacific Hwy
St Leonards NSW 2065
ABN 96 130 882 405
Tel: 02 9439 1777
Fax: 02 9460 8413
www.atl.net.au
info@atl.net.au

Status FOR INFORMATION	A1
Drawing No. SKC03	Project No. 14-232
	Issue A