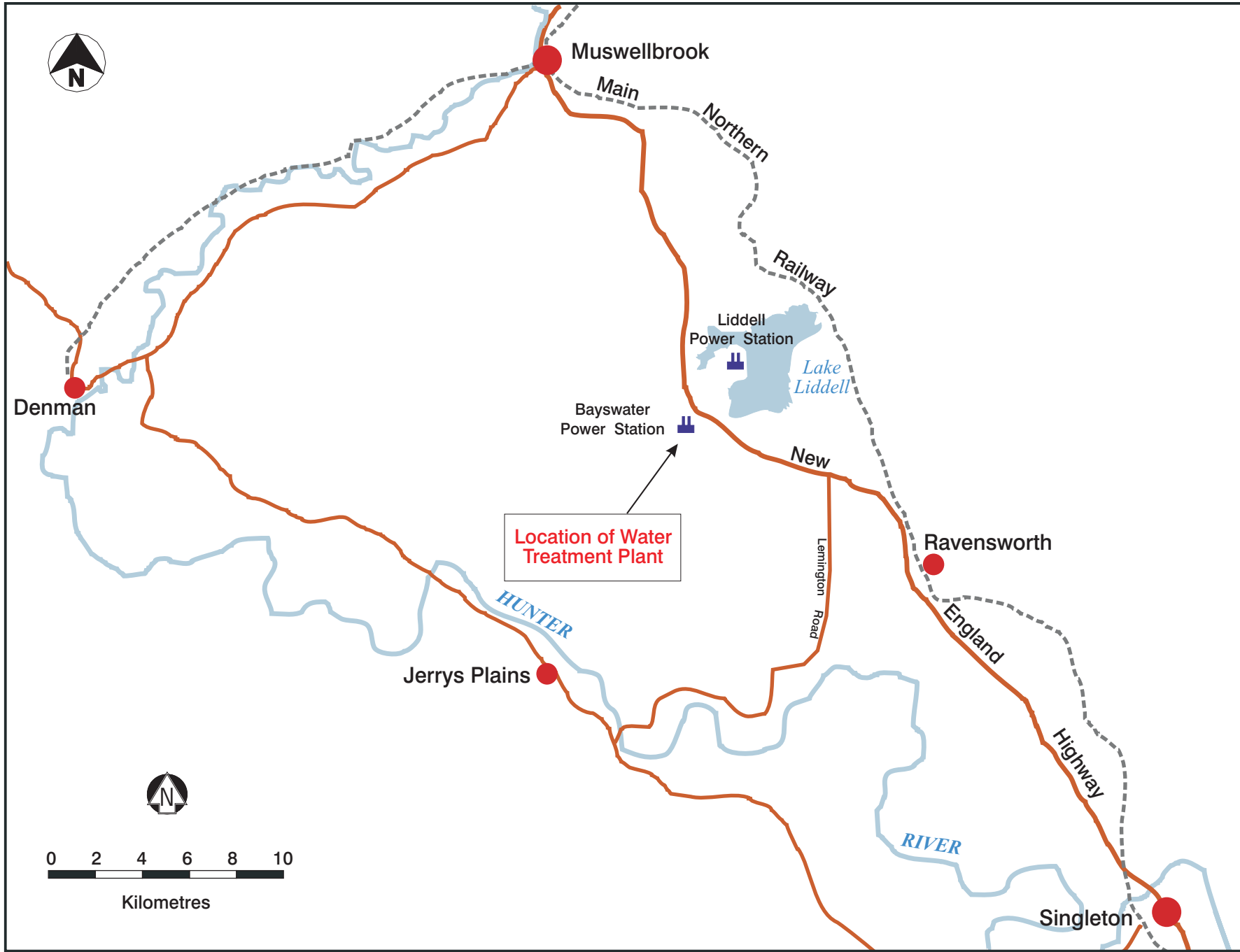




Figures



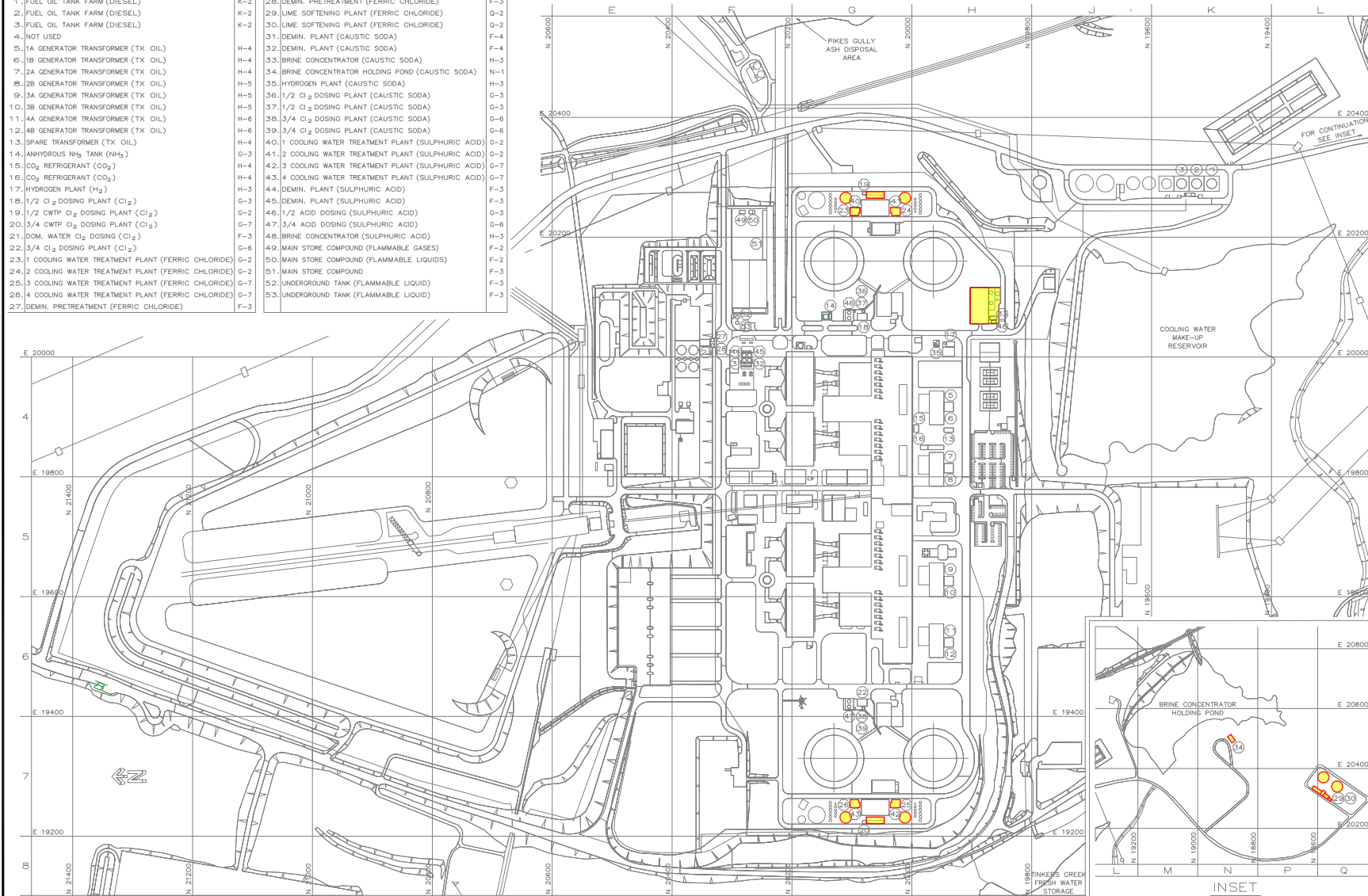
PROJECT-FILE NAME	N60310
DATE	June 2005
DRAWN	amt
APPROVED	KR

SITE LOCATION
 Macquarie Generation
 Bayswater Power Station



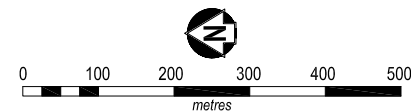
LEGEND

No.	DESCRIPTION	GRID REF.	No.	DESCRIPTION	GRID REF.
1.	FUEL OIL TANK FARM (DIESEL)	K-2	28.	DEMIN. PRETREATMENT (FERRIC CHLORIDE)	F-3
2.	FUEL OIL TANK FARM (DIESEL)	K-2	29.	LIME SOFTENING PLANT (FERRIC CHLORIDE)	Q-2
3.	FUEL OIL TANK FARM (DIESEL)	K-2	30.	LIME SOFTENING PLANT (FERRIC CHLORIDE)	Q-2
4.	NOT USED		31.	DEMIN. PLANT (CAUSTIC SODA)	F-4
5.	1A GENERATOR TRANSFORMER (TX OIL)	H-4	32.	DEMIN. PLANT (CAUSTIC SODA)	F-4
6.	1B GENERATOR TRANSFORMER (TX OIL)	H-4	33.	BRINE CONCENTRATOR (CAUSTIC SODA)	H-3
7.	2A GENERATOR TRANSFORMER (TX OIL)	H-4	34.	BRINE CONCENTRATOR HOLDING POND (CAUSTIC SODA)	N-1
8.	2B GENERATOR TRANSFORMER (TX OIL)	H-5	35.	HYDROGEN PLANT (CAUSTIC SODA)	H-3
9.	3A GENERATOR TRANSFORMER (TX OIL)	H-5	36.	1/2 Cl ₂ DOSING PLANT (CAUSTIC SODA)	G-3
10.	3B GENERATOR TRANSFORMER (TX OIL)	H-5	37.	1/2 Cl ₂ DOSING PLANT (CAUSTIC SODA)	G-3
11.	4A GENERATOR TRANSFORMER (TX OIL)	H-6	38.	3/4 Cl ₂ DOSING PLANT (CAUSTIC SODA)	G-6
12.	4B GENERATOR TRANSFORMER (TX OIL)	H-6	39.	3/4 Cl ₂ DOSING PLANT (CAUSTIC SODA)	G-6
13.	SPARE TRANSFORMER (TX OIL)	H-4	40.	1 COOLING WATER TREATMENT PLANT (SULPHURIC ACID)	G-2
14.	ANHYDROUS NH ₃ TANK (NH ₃)	G-3	41.	2 COOLING WATER TREATMENT PLANT (SULPHURIC ACID)	G-2
15.	CO ₂ REFRIGERANT (CO ₂)	H-4	42.	3 COOLING WATER TREATMENT PLANT (SULPHURIC ACID)	G-7
16.	CO ₂ REFRIGERANT (CO ₂)	H-4	43.	4 COOLING WATER TREATMENT PLANT (SULPHURIC ACID)	G-7
17.	HYDROGEN PLANT (H ₂)	H-3	44.	DEMIN. PLANT (SULPHURIC ACID)	F-3
18.	1/2 Cl ₂ DOSING PLANT (Cl ₂)	G-3	45.	DEMIN. PLANT (SULPHURIC ACID)	F-3
19.	1/2 CWTW Cl ₂ DOSING PLANT (Cl ₂)	G-2	46.	1/2 ACID DOSING (SULPHURIC ACID)	G-3
20.	3/4 CWTW Cl ₂ DOSING PLANT (Cl ₂)	G-7	47.	3/4 ACID DOSING (SULPHURIC ACID)	G-6
21.	DOM. WATER Cl ₂ DOSING (Cl ₂)	F-3	48.	BRINE CONCENTRATOR (SULPHURIC ACID)	H-3
22.	3/4 Cl ₂ DOSING PLANT (Cl ₂)	G-6	49.	MAIN STORE COMPOUND (FLAMMABLE GASES)	F-2
23.	1 COOLING WATER TREATMENT PLANT (FERRIC CHLORIDE)	G-2	50.	MAIN STORE COMPOUND (FLAMMABLE LIQUIDS)	F-2
24.	2 COOLING WATER TREATMENT PLANT (FERRIC CHLORIDE)	G-2	51.	MAIN STORE COMPOUND	F-3
25.	3 COOLING WATER TREATMENT PLANT (FERRIC CHLORIDE)	G-7	52.	UNDERGROUND TANK (FLAMMABLE LIQUID)	F-3
26.	4 COOLING WATER TREATMENT PLANT (FERRIC CHLORIDE)	G-7	53.	UNDERGROUND TANK (FLAMMABLE LIQUID)	F-3
27.	DEMIN. PRETREATMENT (FERRIC CHLORIDE)	F-3			

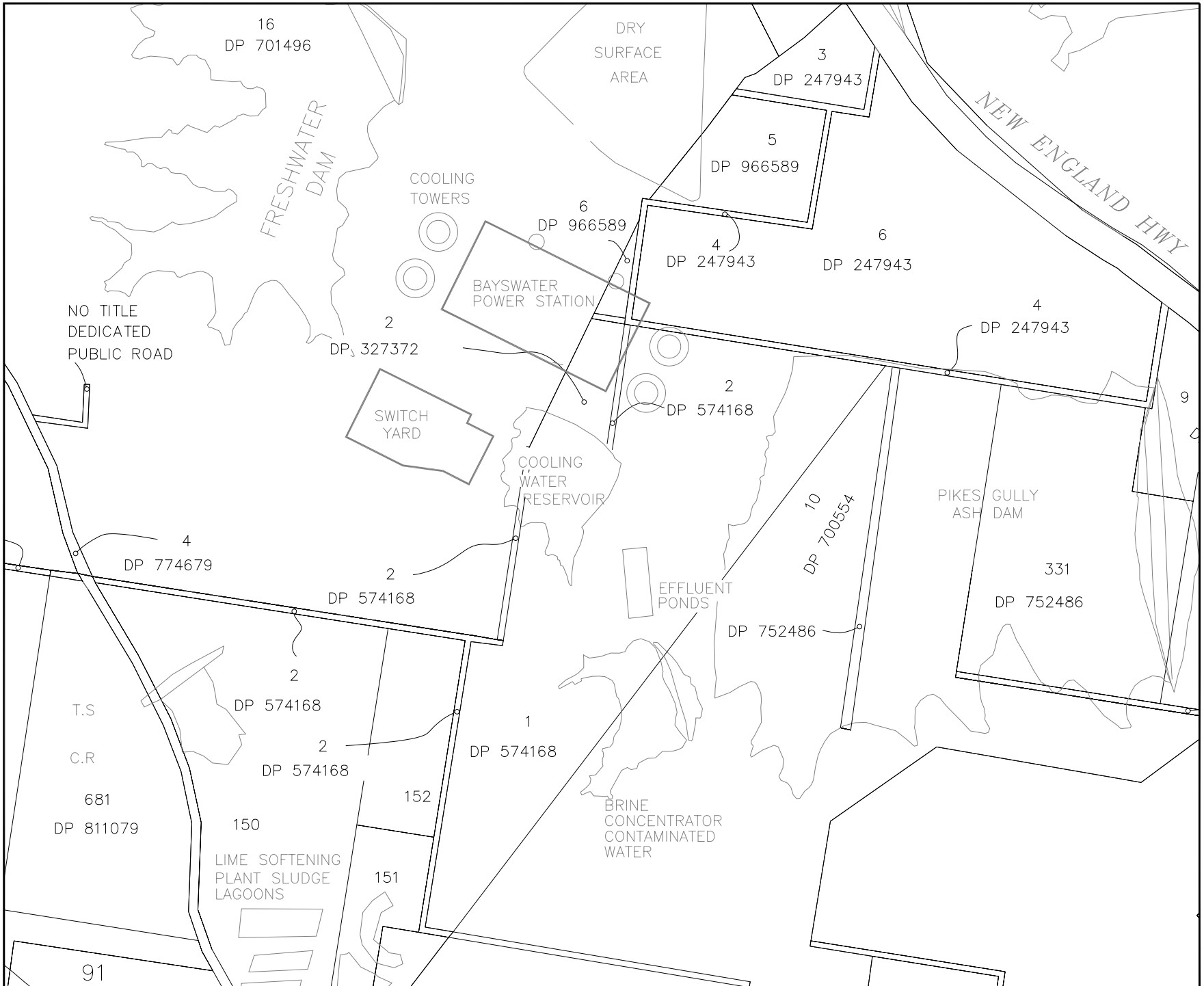


PROJECT-FILE NAME N60310
 DATE June 2005
 DRAWN amt
 APPROVED KR

Location of Existing Water Treatment Plant
 Macquarie Generation
 Bayswater Power Station



FIGURE



PROJECT-FILE NAME N60310
 DATE June 2005
 DRAWN amt
 APPROVED KR

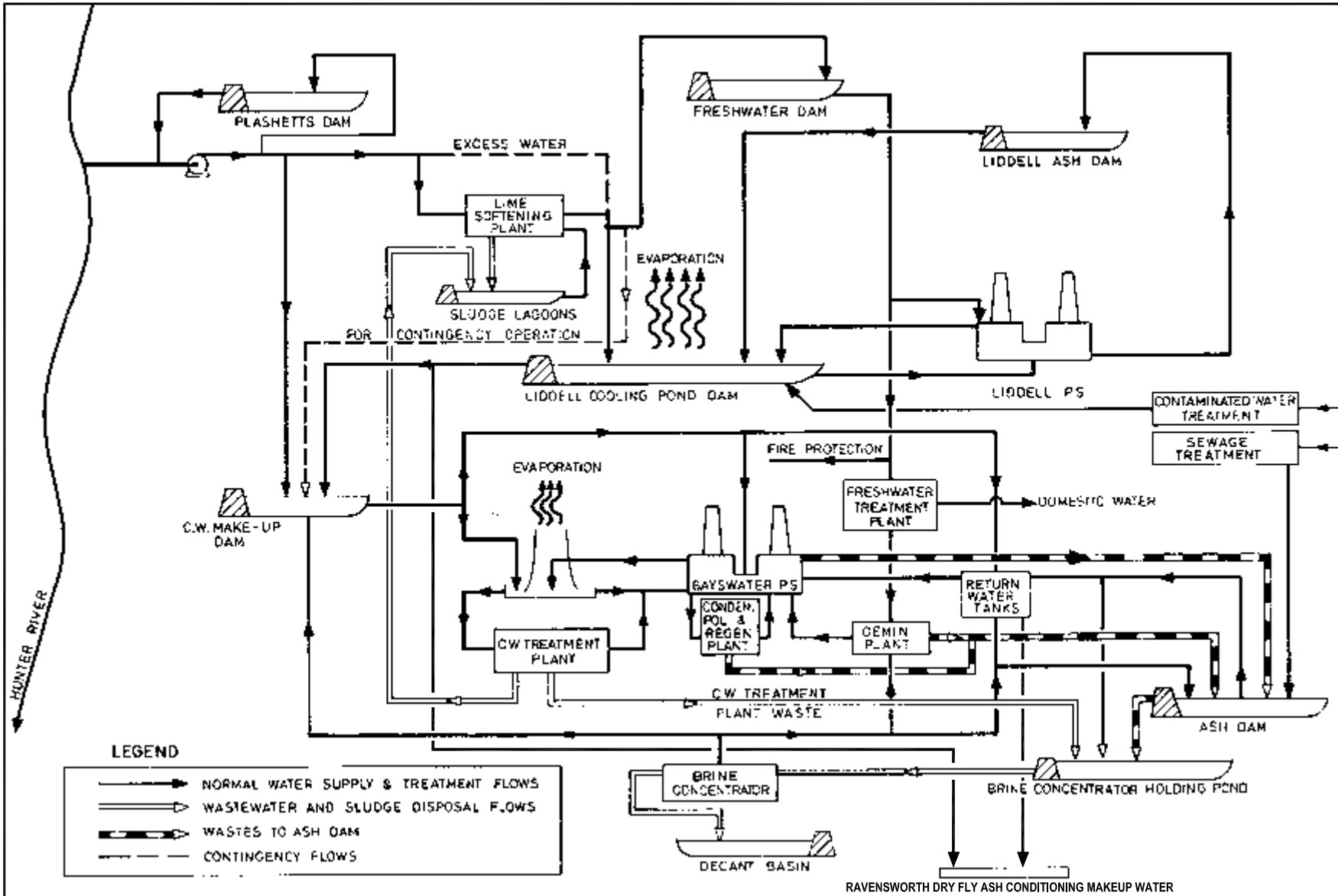


Lots Affected by Proposed Water Treatment Plant Modifications
 Macquarie Generation
 Bayswater Power Station



FIGURE

3



PROJECT-FILE NAME N60310
 DATE June 2005
 DRAWN amt
 APPROVED KR

Existing Water Management System
 Macquarie Generation
 Bayswater Power Station



FIGURE



**Bayswater
Power Station**

**Pikes Gully
Ash Dam**



**Proposed Location of
New Sludge Lagoons**



PROJECT-FILE NAME N60310
DATE June 2005
DRAWN amt
APPROVED KR

**Location of Proposed Additional
Sludge Lagoons**
Macquarie Generation
Bayswater Power Station





Legend

- ◆ Sensitive Receptor Locations

Location of Nearest Sensitive Receptors
 Macquarie Generation
 Bayswater Power Station

FIGURE

6



PROJECT-FILE NAME N60310
 DATE June 2005
 DRAWN amt
 APPROVED KR

Surrounding Land Use
 Macquarie Generation
 Bayswater Power Station



FIGURE

7