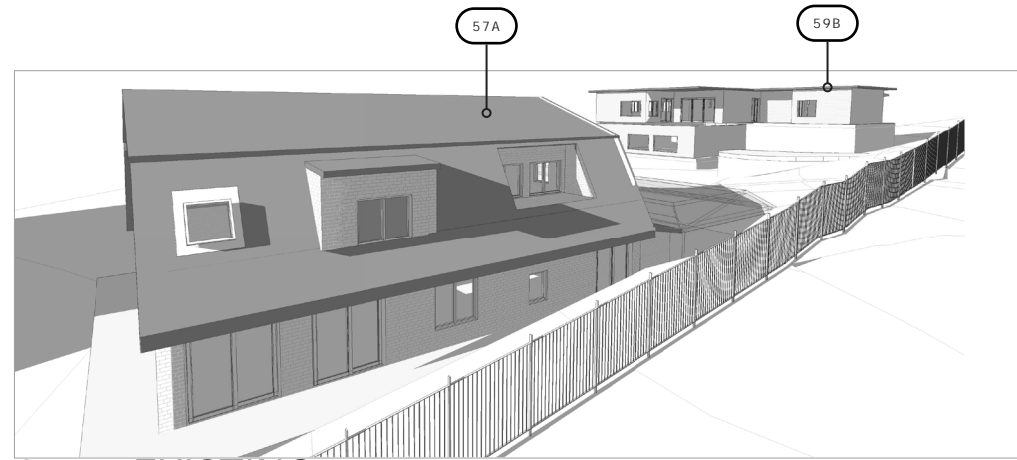


INTERNAL LIVING SPACE

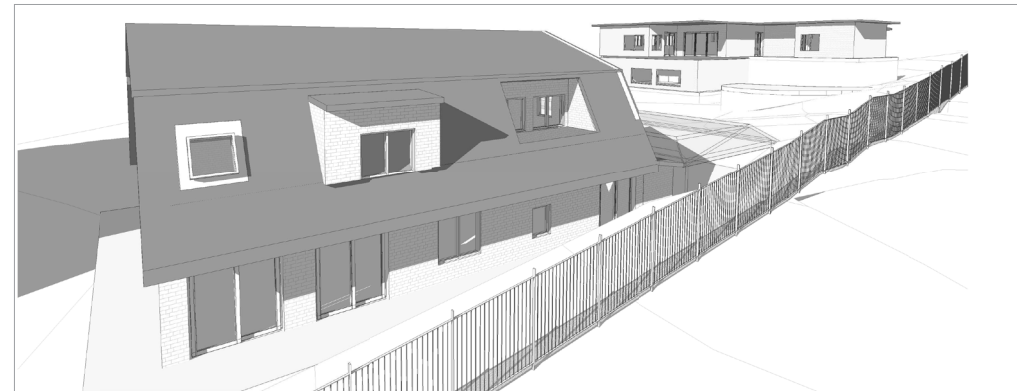
57A & 59B Pymble Ave Shadow Diagrams for 21 June 9 - 11 am



9am - EXISTING



9am - PROPOSED



10am - EXISTING



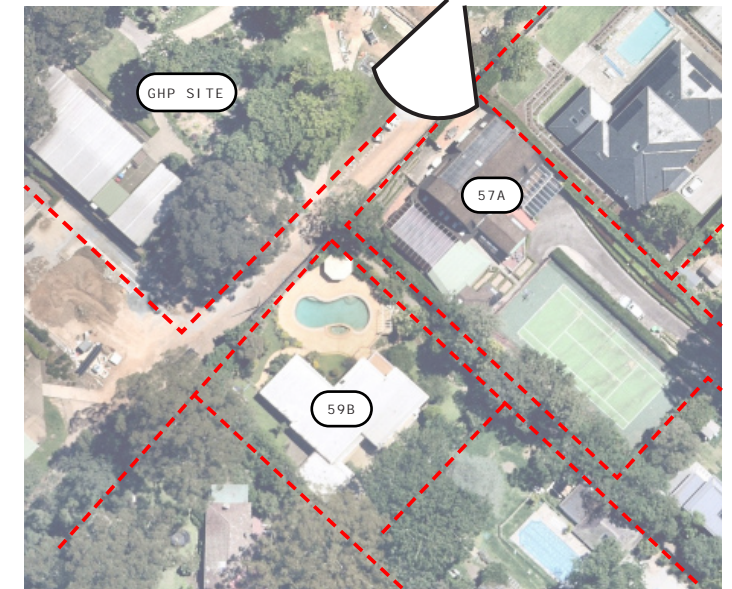
10am - PROPOSED



11am - EXISTING

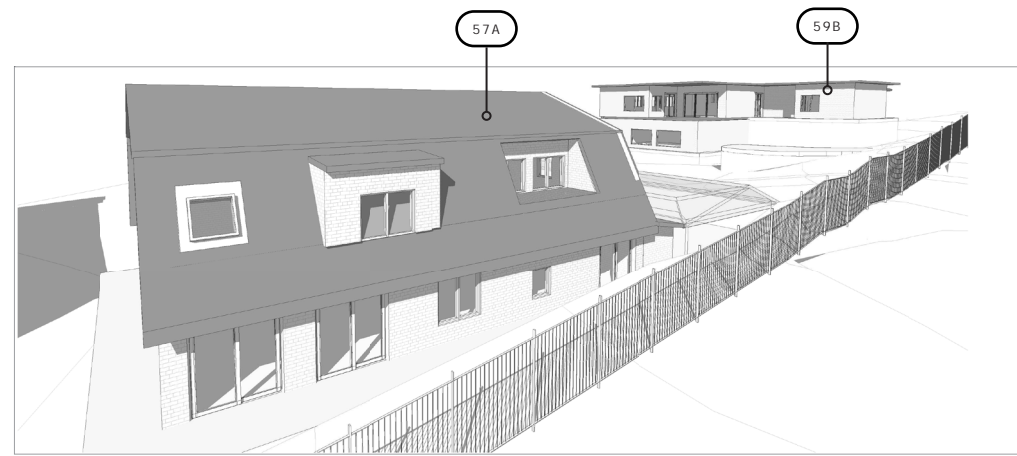


11am - PROPOSED

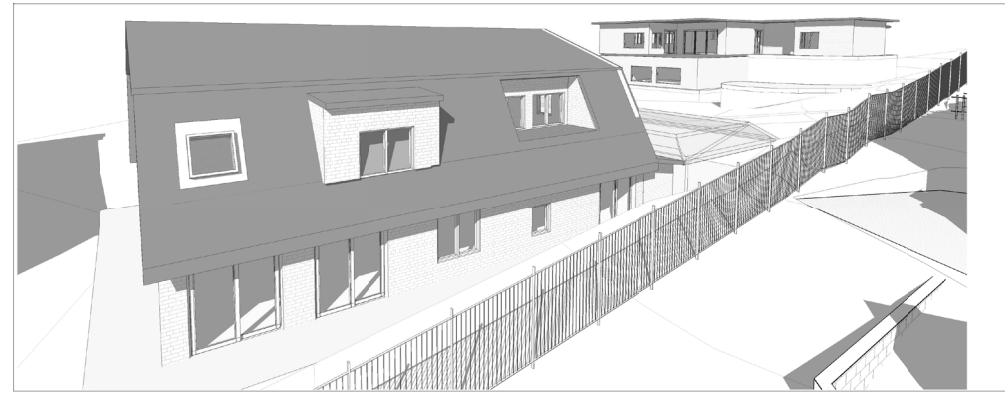


INTERNAL LIVING SPACE

57A & 59B Pymble Ave Shadow Diagrams for 21 June 12 -3pm



12pm - EXISTING



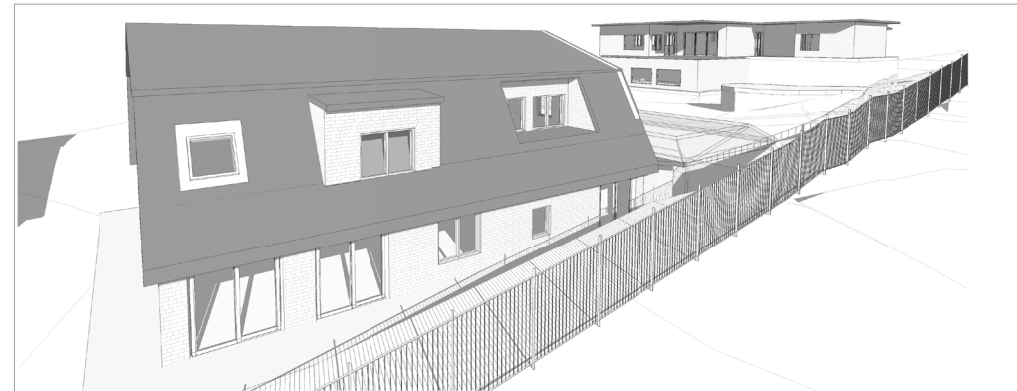
12pm - PROPOSED



1pm - EXISTING



1pm - PROPOSED



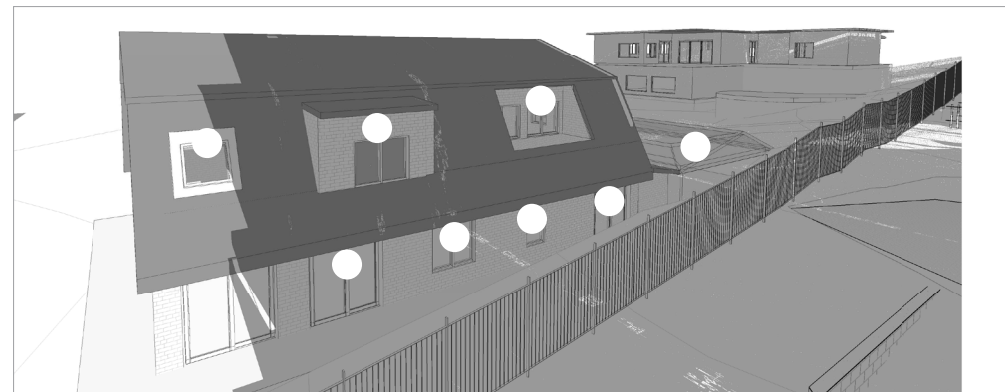
2pm - EXISTING



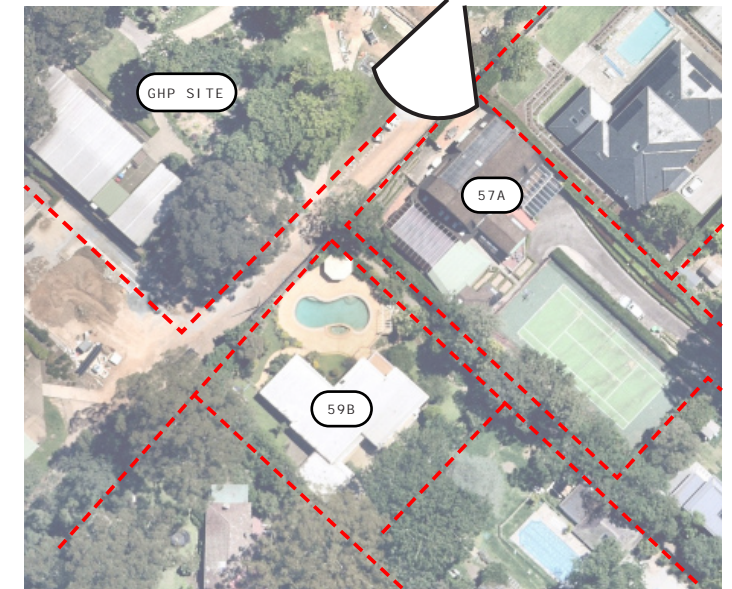
2pm - PROPOSED



3pm - EXISTING



3pm - PROPOSED



LEGENDS

- SKYLIGHT TO DINING
- BEDROOM
- BEDROOM
- CASUAL DINING
- KITCHEN
- BATHROOM
- LAUNDRY AND BACKDOOR
- COVERED POOL

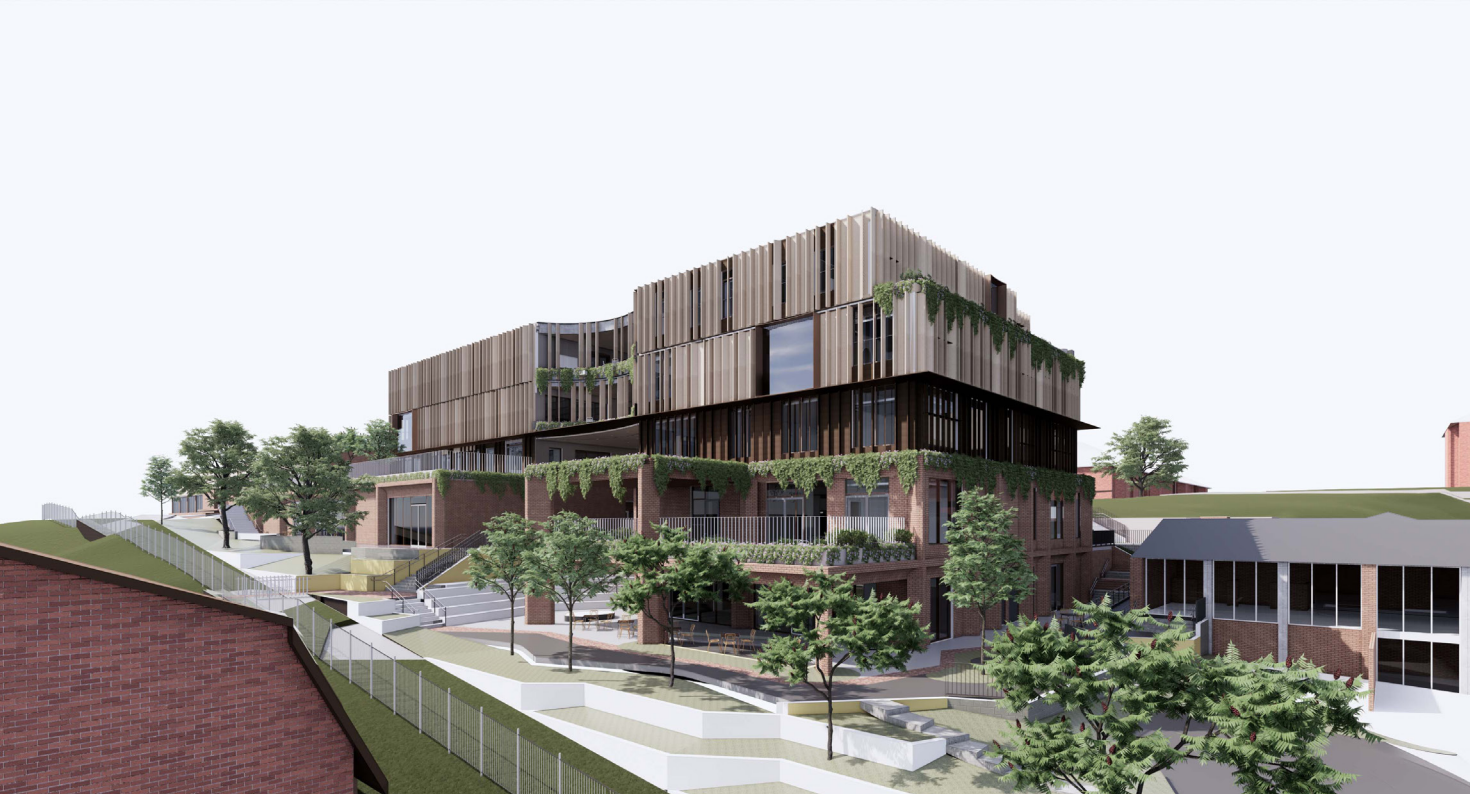
NOTE - INTERNAL PLANNING
INDICATIVE ONLY

DEVELOPMENT OF FACADE - 3D VIEWS



North East View Render - approach from 'heart of school'

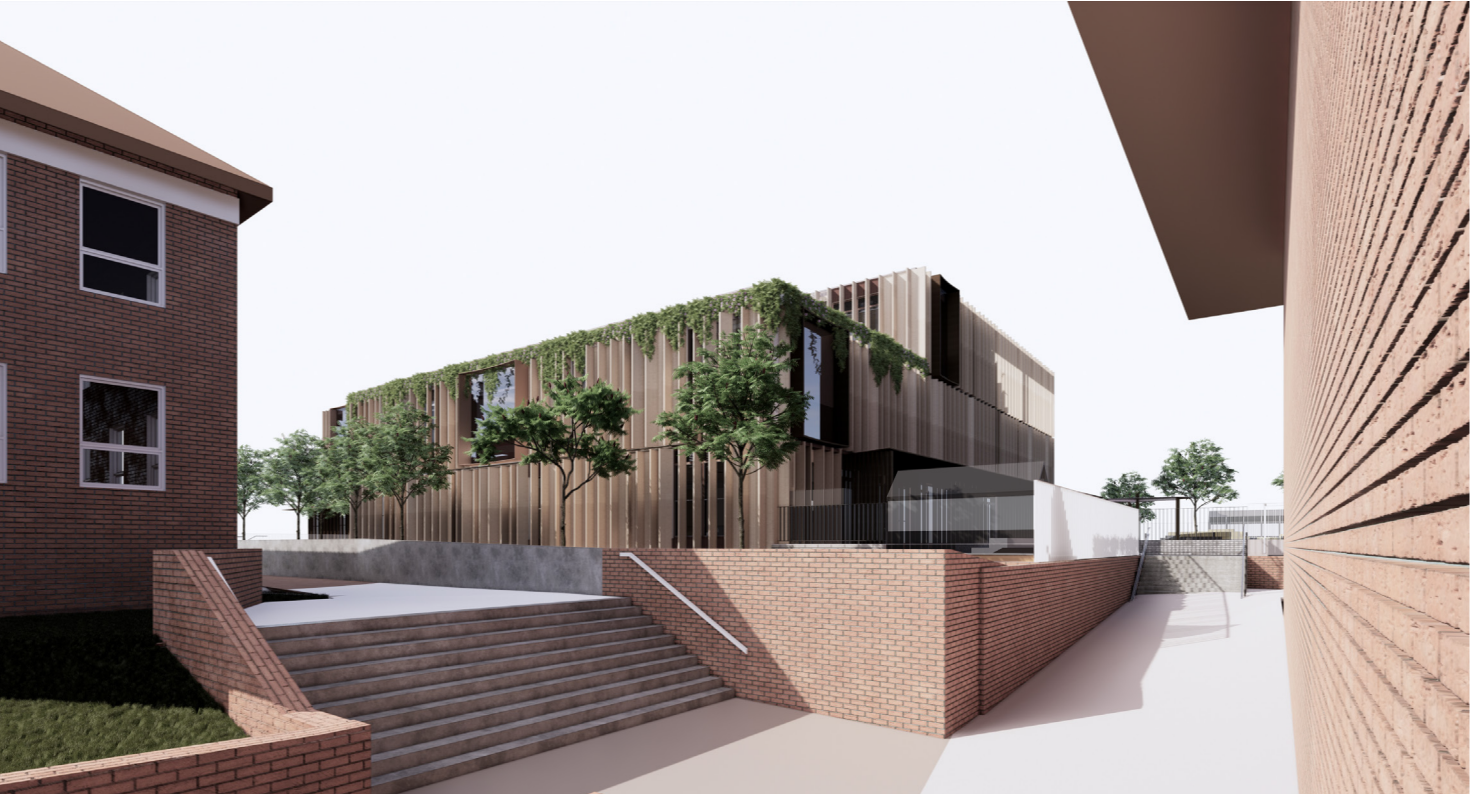
DEVELOPMENT OF FACADE - 3D VIEWS



South East View - from boundary fence



South West View - from boundary fence



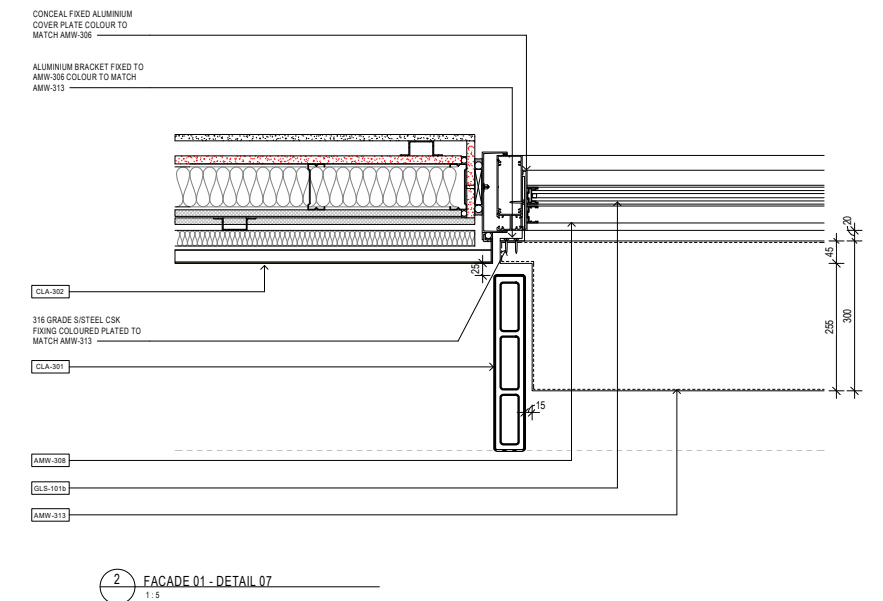
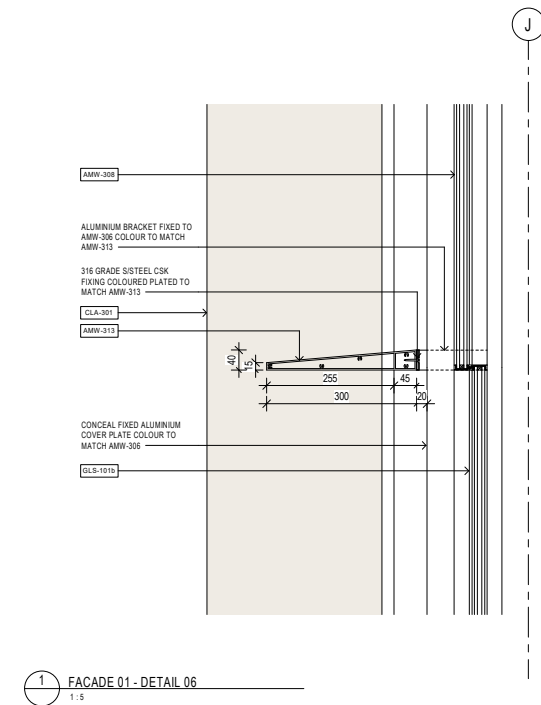
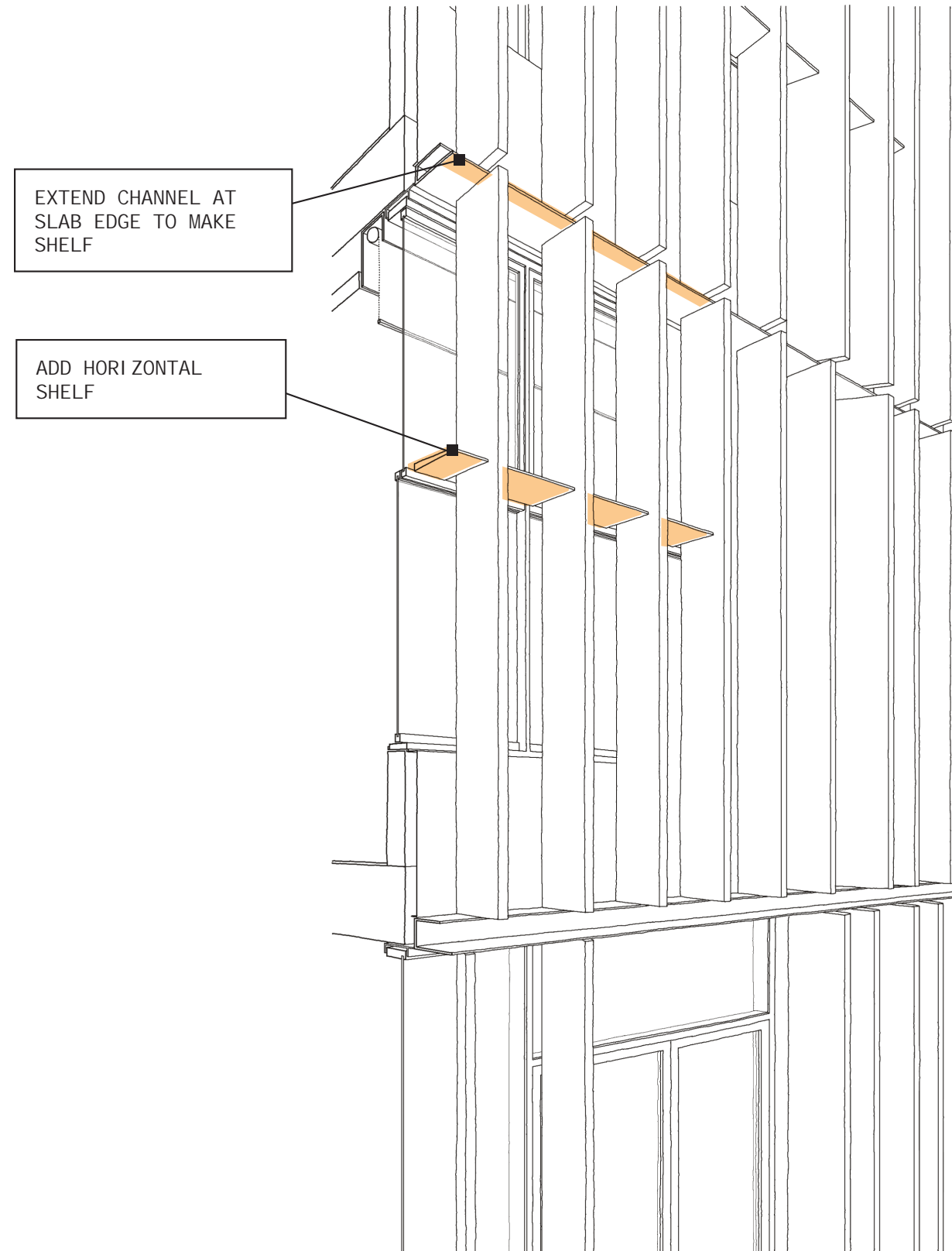
North West View - from Centenary Walk

DEVELOPMENT OF FACADE - SHADING

ADVICE
Consider a horizontal shading strategy to improve access to daylight and enable greater access to natural cross ventilation.

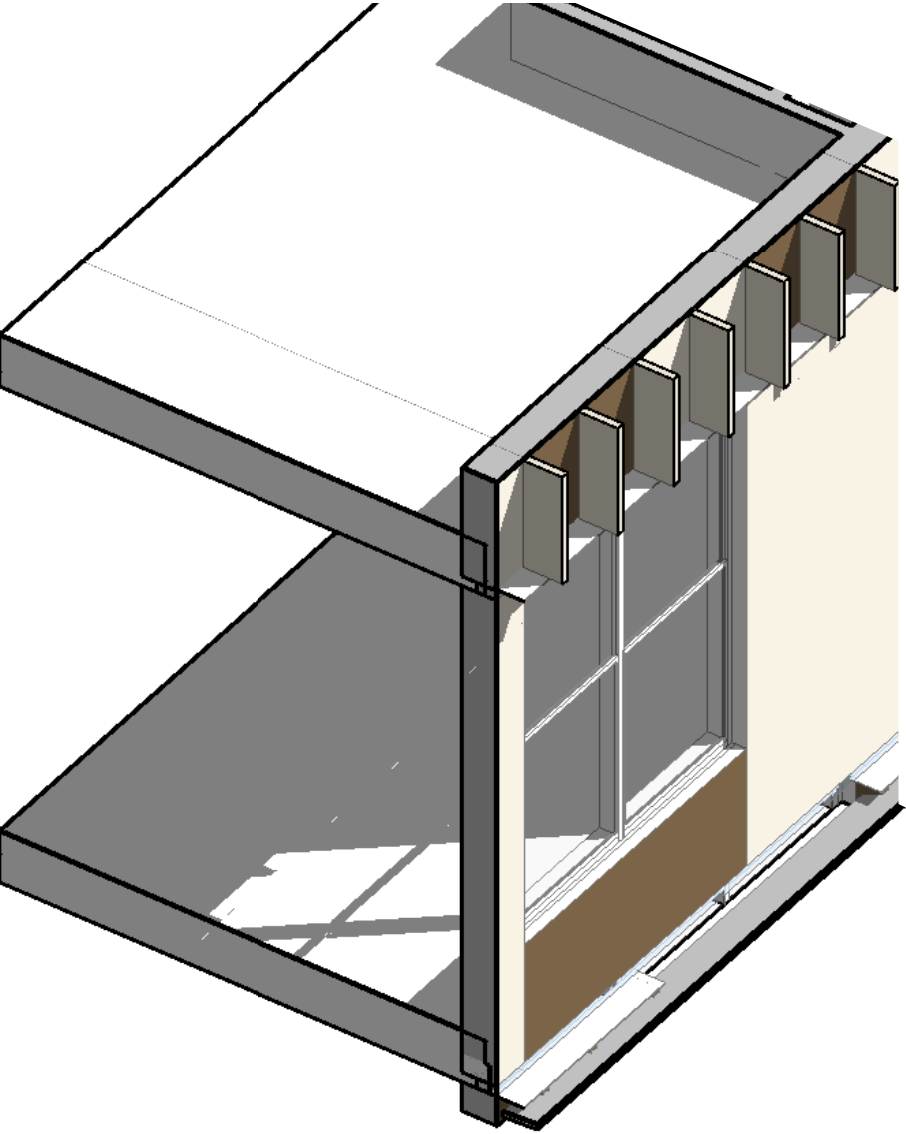
RESPONSE
New horizontal elements have been introduced to break the verticality of the fins, increase shading, minimise glare, protect operable windows from weather and frame views:

- Extension of aluminium channel at slab edge to North & North East
- Horizontal shading added at 1625mm above FFL
- Increased depth of picture windows to the North East, from 670mm to 900mm profile.

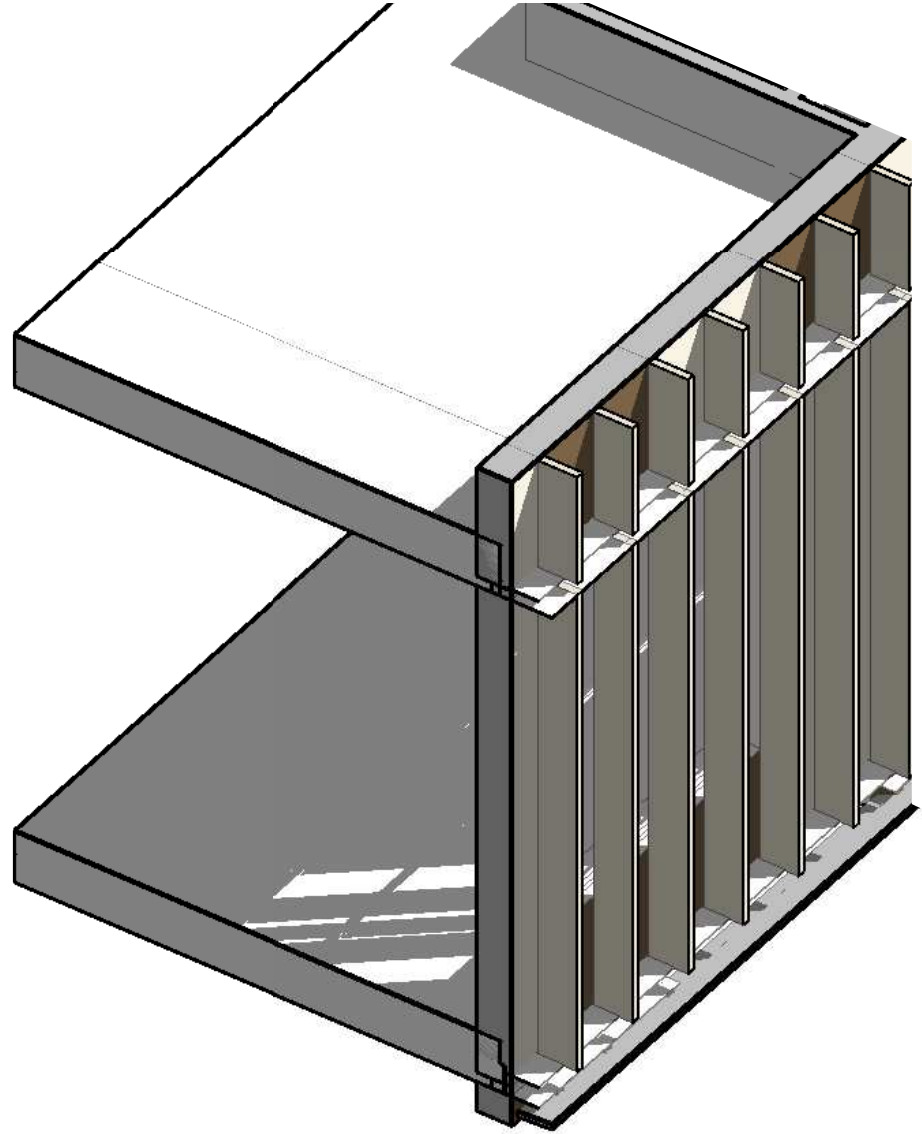


DEVELOPMENT OF FACADE - ESD

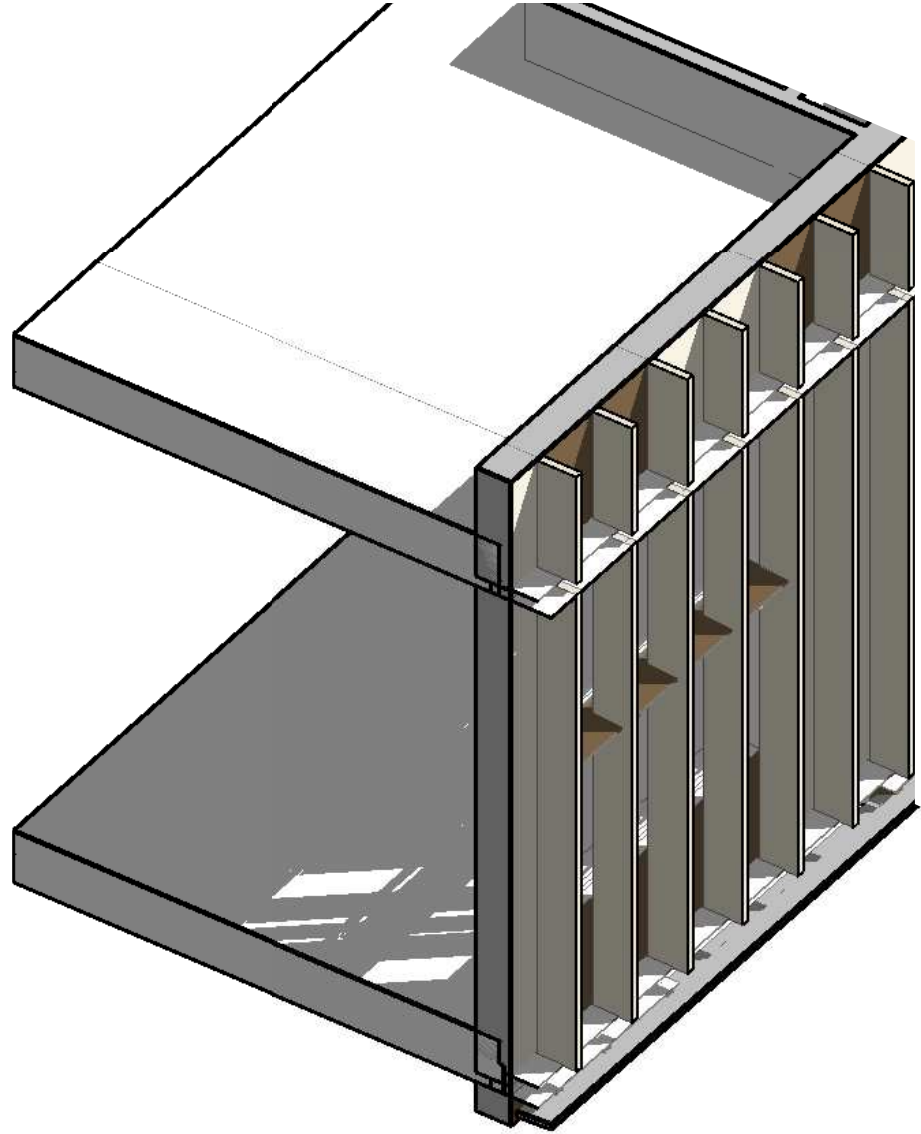
Shading - Horizontal Shelf - Dec 22nd 3pm



Transparent Glazing



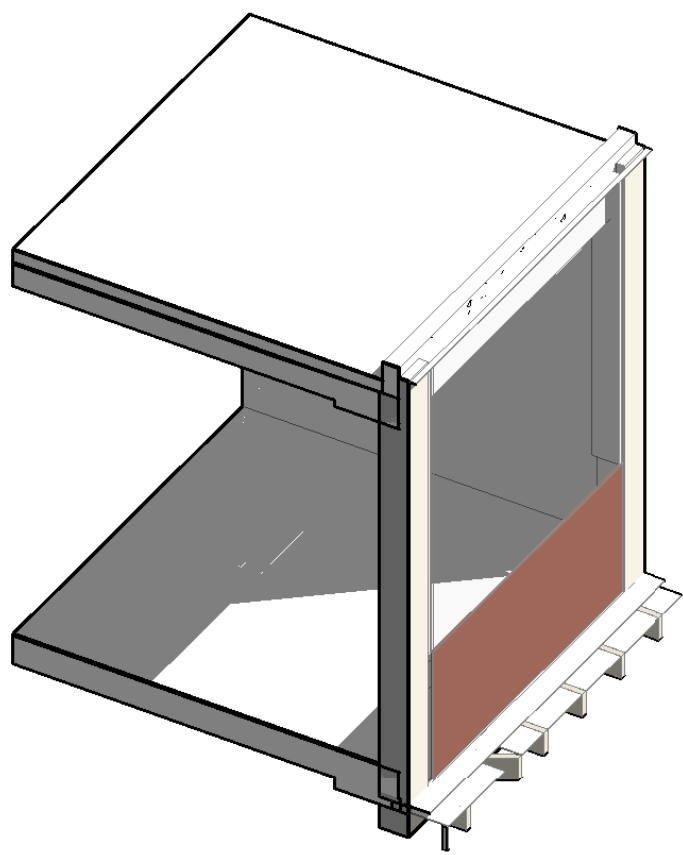
Glazing with fins



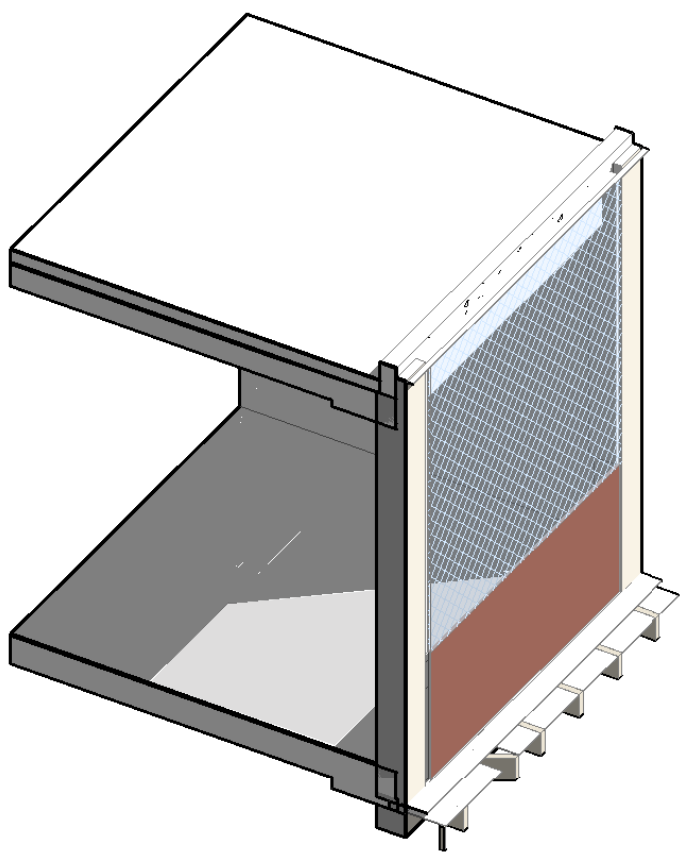
Glazing with fins & horizontal shelf

DEVELOPMENT OF FACADE - ESD

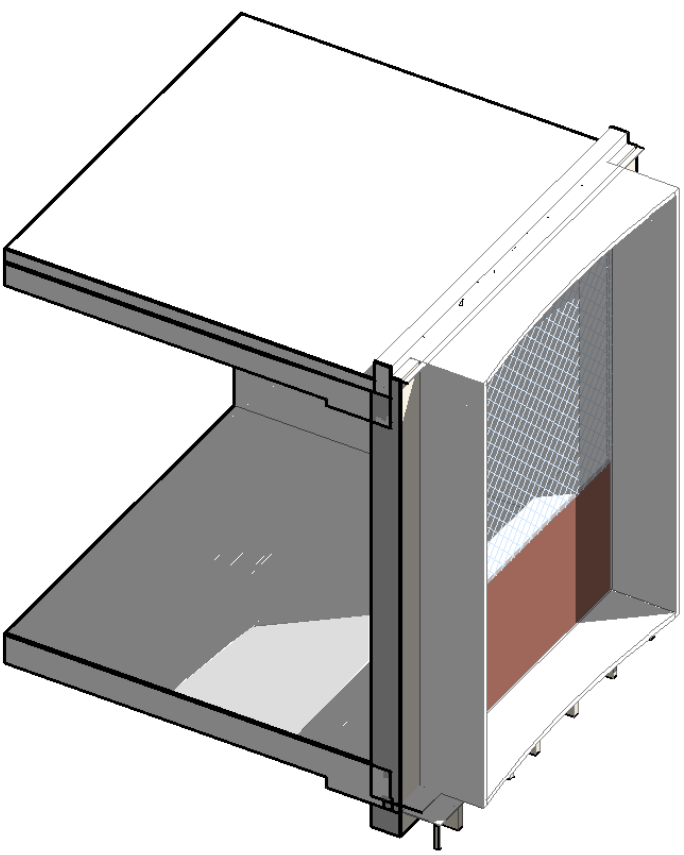
Shading - Horizontal Shelf - Dec 22nd 3pm



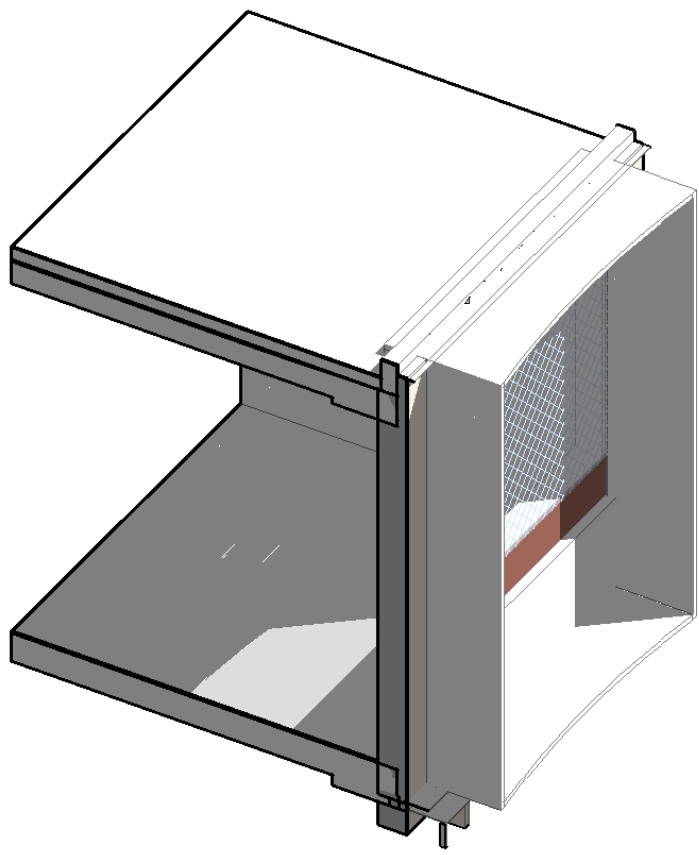
Transparent glazing



Wire Mesh interlayer glazing



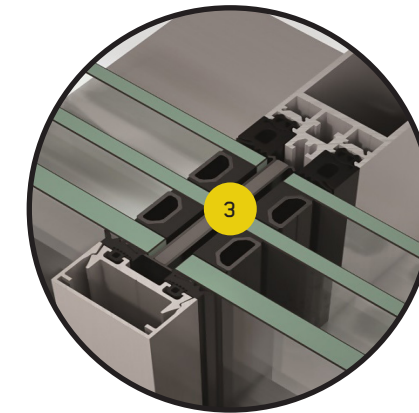
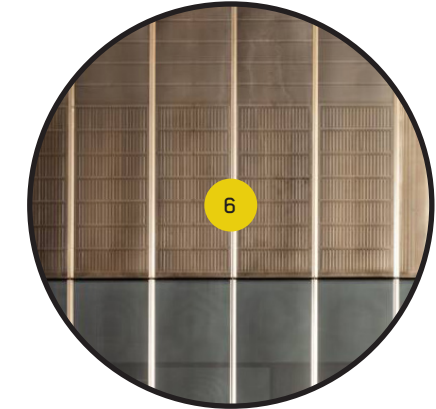
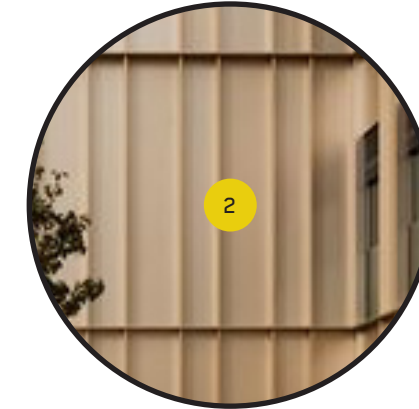
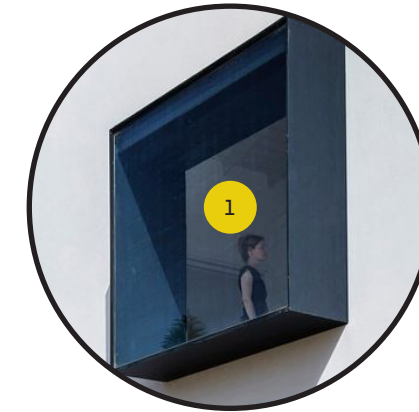
Wire Mesh interlayer with 600 Deep Hood



Wire Mesh interlayer with 800 Deep Hood

MATERIALS & FINISHES

Facade Development



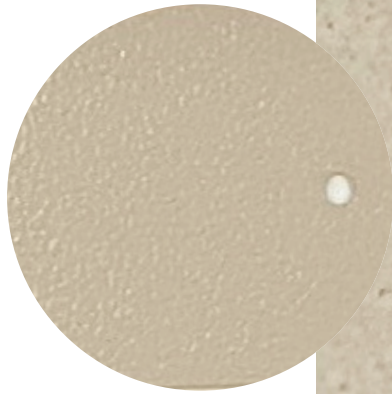
KEY - MATERIAL PALETTE

- 1 Frameless glazing with aluminium hood & interlayer
- 2 Ceramic shading fins with insulated rainscreen
- 3 Aluminium framed operable double glazing
- 4 Atrium screening wires & planting
- 5 Brick cladding
- 6 Interlayer mesh glazing
- 7 Bronze Aluminium Awning

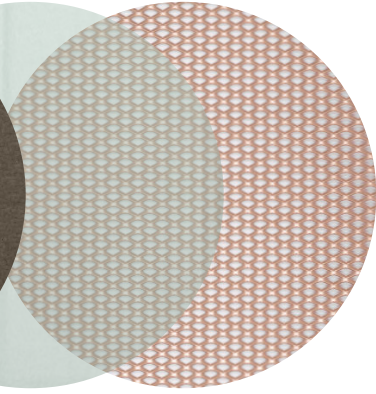
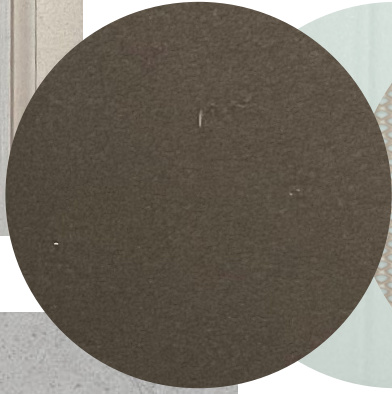
MATERIALS & FINISHES

Facade Palette

CERAMIC BAGUETTE
SUNSHADING FINS W/
ALUMINIUM RAINSCREEN
CLADDING



TEXTURED COMPRESSED
FIBRE CEMENT RAINSCREEN
CLADDING TO ATRIUM WALLS



BRICK TO PODIUM &
LOWER LEVELS



MEDIUM BRONZE POWDERCOAT
TO PICTURE WINDOW HOOD &
FRAMING. PICTURE WINDOWS
W/ WIRE MESH INTERLAYER

CONCRETE FLOOR FINISH &
PLANTER BEDS WITHIN
FACADE

DETAILED INTERNAL LAYOUTS

Atrium Space - Outdoor Room



DETAILED INTERNAL LAYOUTS

Junior School - Years 5 & 6



DETAILED INTERNAL LAYOUTS

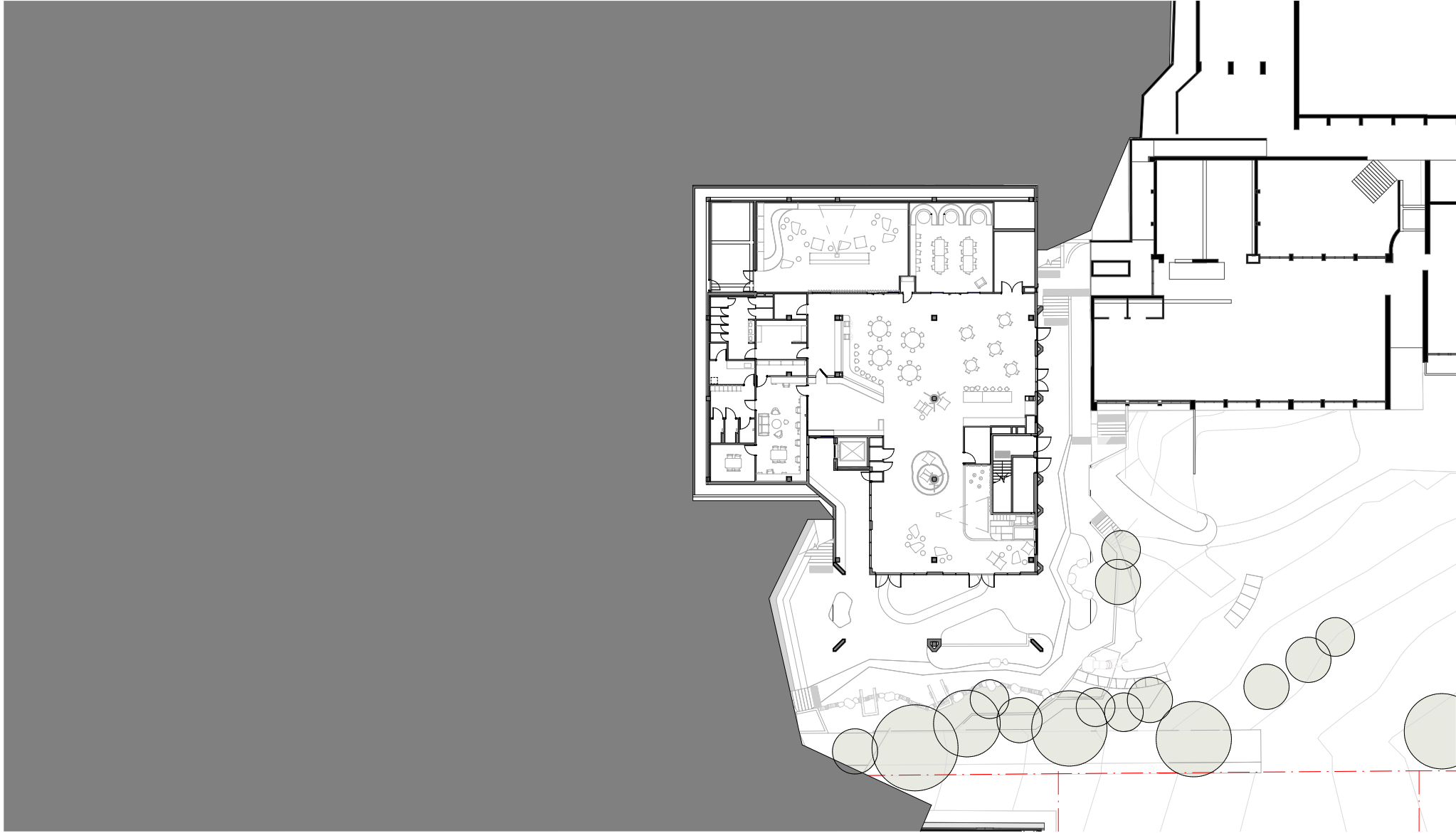
Health & Wellbeing





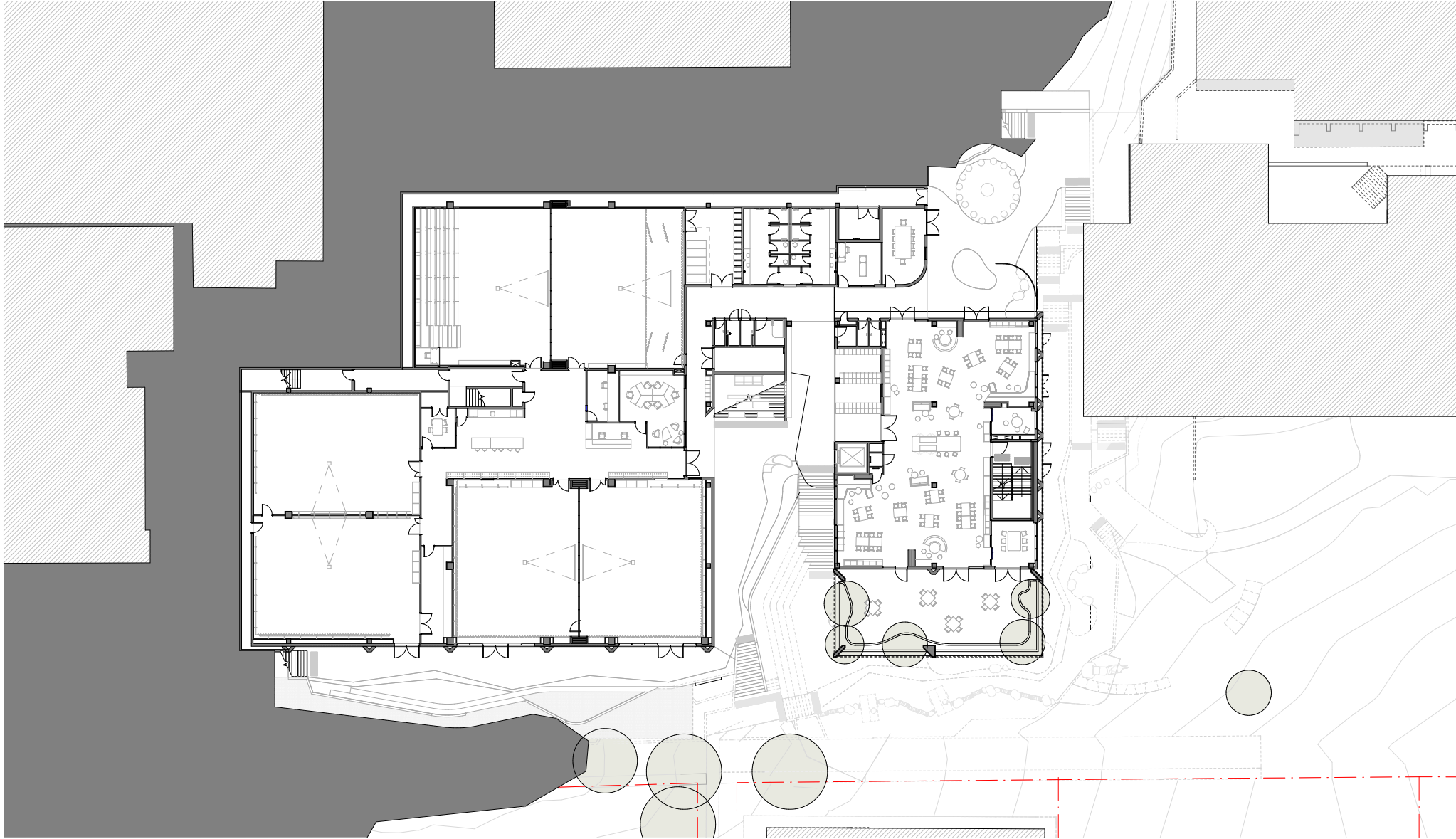
INTERNAL LAYOUTS

Level 0 – Out of School Hours Care



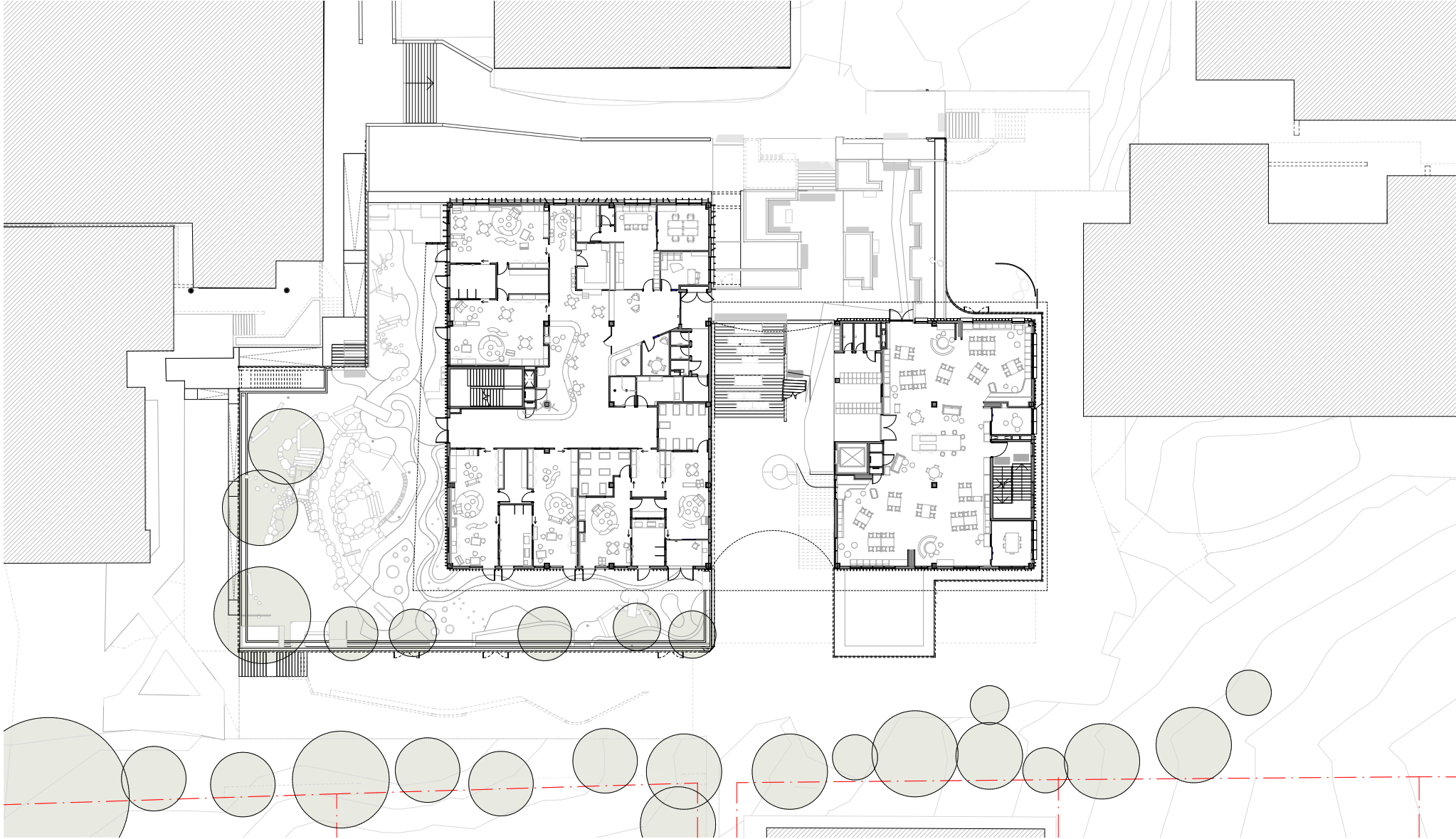
INTERNAL LAYOUTS

Level 1 – Dance & Junior School Learning Areas



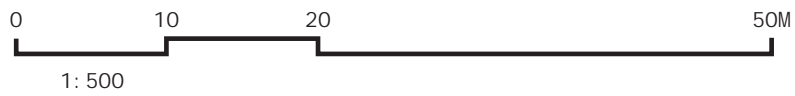
INTERNAL LAYOUTS

Level 2 – Early Learning Centre & Junior School Learning Area



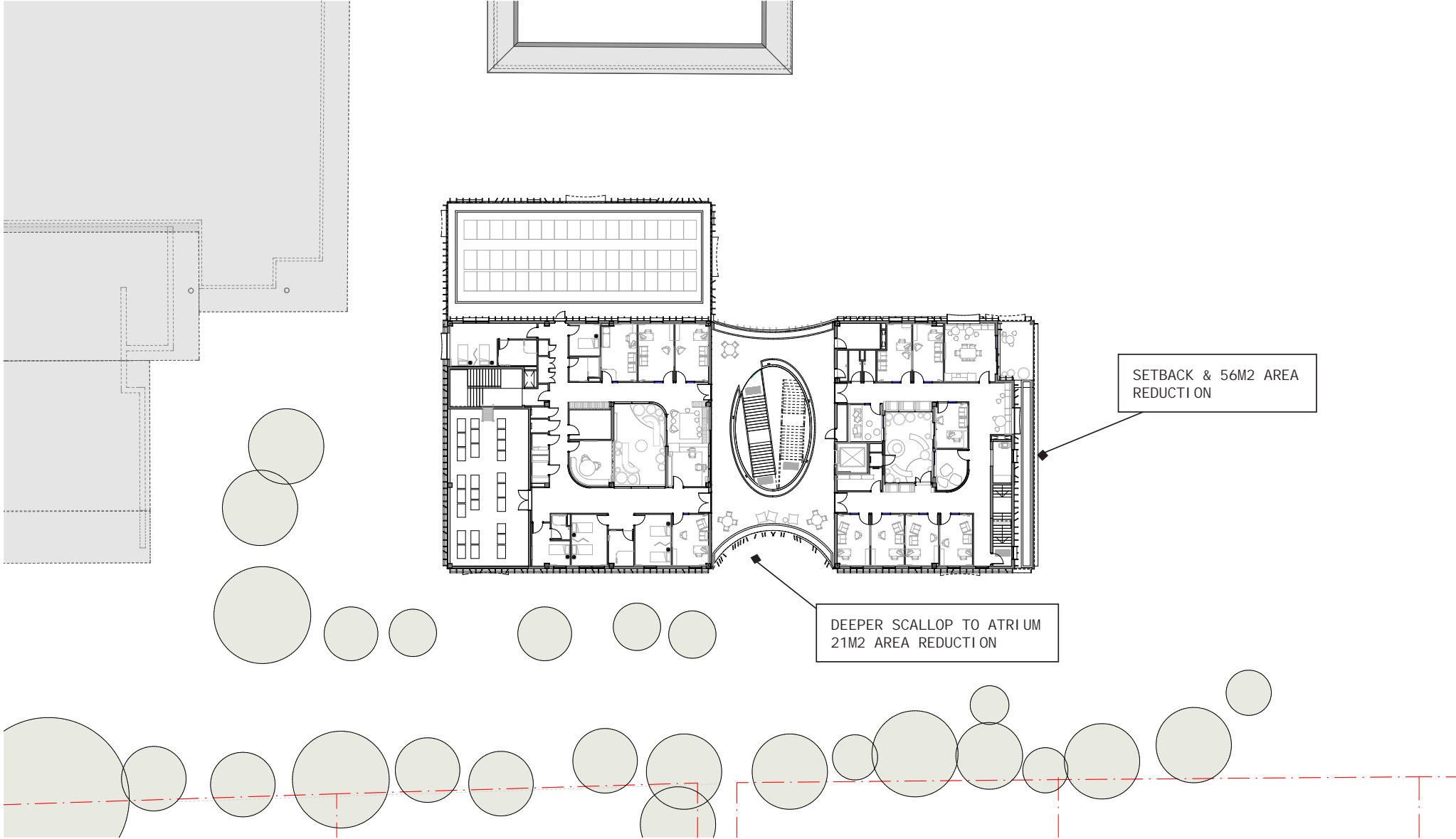
INTERNAL LAYOUTS

Level 3 – Junior School Learning & Sta Spaces



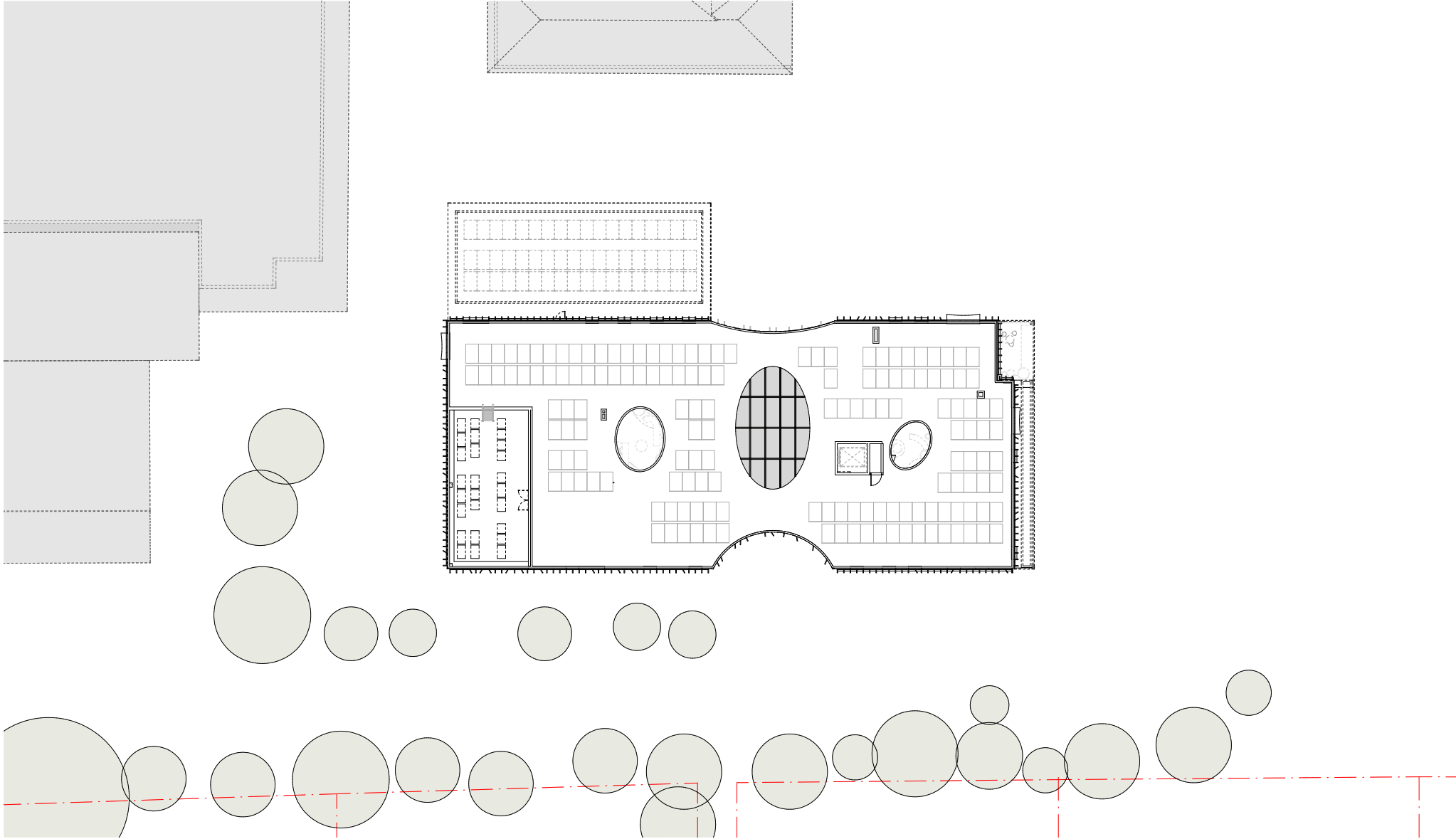
INTERNAL LAYOUTS

Level 4 – Health & Wellbeing



INTERNAL LAYOUTS

Roof Level



Thank you