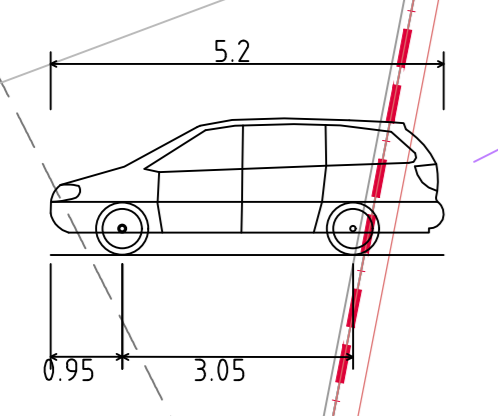
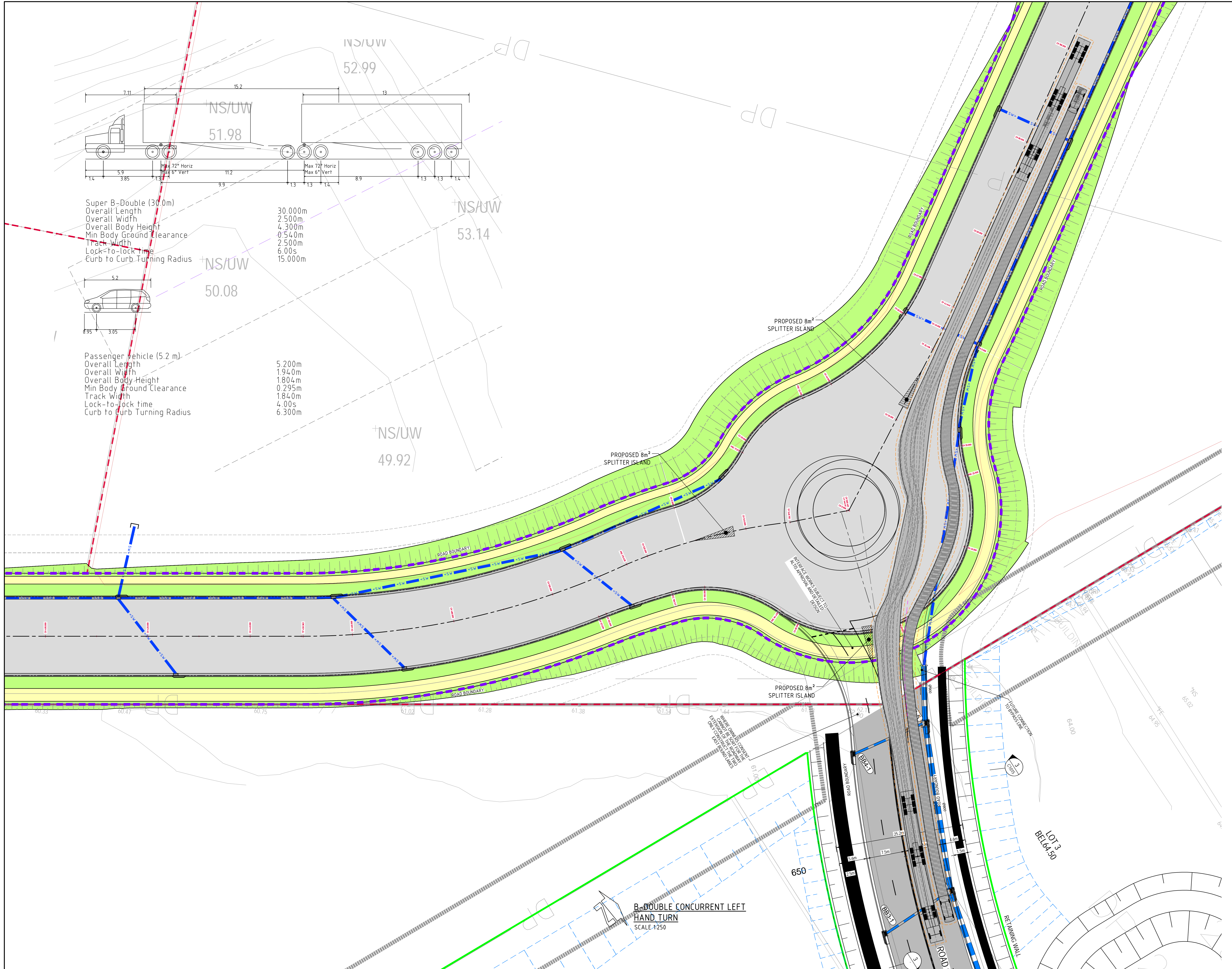


Super B-Double (30.0m)  
 Overall Length 30.000m  
 Overall Width 2.500m  
 Overall Body Height 4.300m  
 Min Body Ground Clearance 0.540m  
 Track Width 2.500m  
 Lock-to-lock time 6.00s  
 Curb to Curb Turning Radius 15.000m



Passenger vehicle (5.2 m.)  
 Overall Length 5.200m  
 Overall Width 1.940m  
 Overall Body Height 1.804m  
 Min Body Ground Clearance 0.295m  
 Track Width 1.840m  
 Lock-to-lock time 4.00s  
 Curb to Curb Turning Radius 6.300m

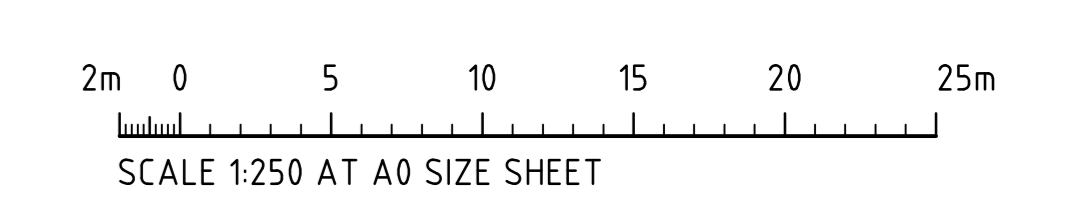


**B-DOUBLE CONCURRENT LEFT  
 HAND TURN**  
 SCALE 1:250

**LEGEND:**  
 PROPOSED SPLITTER ISLAND

**SWEPT PATH NOTE:**  
 ASSUMED SPEED 5km/h.  
 — VEHICLE CENTRELINE  
 — VEHICLE BODY PATH  
 - - - VEHICLE TYRE PATH  
 - - - VEHICLE BODY PATH 500mm CLEARANCE

**NOTE:**  
 THIS PLAN HAS BEEN PRODUCED USING VEHICLE MODELLING  
 COMPUTER SOFTWARE AUTODESK VEHICLE TRACKING.  
 THE VEHICLES ADOPTED ARE BASED UPON VEHICLE DATA  
 PROVIDED BY THE SOFTWARE FOR AUSTRROADS & AS2890.



**FOR STATE SIGNIFICANT DEVELOPMENT APPLICATION**

AMENDMENTS	DATE	ISSUE
ISSUED FOR STATE SIGNIFICANT DEVELOPMENT APPLICATION	15.09.22	C
ISSUED FOR STATE SIGNIFICANT DEVELOPMENT APPLICATION	30.03.22	B
ISSUED FOR INFORMATION	25.03.22	A

AMENDMENTS	DATE	ISSUE

PROJECT MANAGER

ARCHITECT

CLIENT  
**ALTIS**  
 PROPERTY PARTNERS

PROJECT  
**ACCESS LOGISTICS PARK**  
 884-928 MAMRE ROAD  
 KEMPS CREEK, NSW

CONSULTING ENGINEERS  
**Costin Roe Consulting Pty Ltd.**  
 Consulting Engineers  
 Level 1, 8 Windmill Street  
 Walsh Bay, Sydney NSW 2000  
 Tel: (02) 9251-7899 Fax: (02) 9241-3721  
 email: mail@costinroe.com.au

**Costin Roe Consulting**  
 PRECISION | COMMUNICATION | ACCOUNTABILITY

DRAWING TITLE  
**SWEPT PATH PLAN  
 B-DOUBLE CONCURRENT LEFT  
 HAND TURN - ROUNDABOUT**  
 DRAWING NO: C014021.00-SSDA595