



**BIRZULIS ASSOCIATES Pty Ltd**  
Consulting Structural + Civil Engineers

ACN 003 797 911 ABN 99 003 797 911

**Sydney Office**  
583 Darling Street, Rozelle NSW 2039

Telephone: 9555 7230

Email: office@birzulisassociates.com

**Newcastle Office**

105 Merewether Street, Merewether NSW 2291

Telephone: 4049 4855

Email: office@birzulisassociates.com

12 December 2019

Ms Caroline Hart  
Stanton Dahl Architects  
caroline.hart@stantondahl.com.au

Dear Madam,

**RE: INTERNATIONAL CHINESE SCHOOL  
211 PACIFIC HIGHWAY, ST LEONARDS - PAVEMENTS**

As requested by you in your email dated 3 December 2019, we attach three(3) civil engineering sketches of schematic pavement construction in this heritage area:-

Sk.01 – Roadway pavement suitable for medium rigid vehicles, such as garbage trucks, small buses etc. We believe that the brick pavers should be supported on a 'rigid' concrete base. Concrete kerb detail provided where nominated on site plans only.

Sk.02 – Roadway pavement for area over root growth zone with void under slab for future root growth. Pavement to be drilled for drainage through subgrade, as required by arborist.

Sk.03 – Pavement construction in car parking and pedestrian areas with a draining sub grade. We believe that this type of pavement is unsuitable for areas where heavy vehicles operate.

In all cases, before civil engineering construction documents are prepared, geotechnical testing of the site is required to determine the CBR values of this site and the support conditions for the bored piers.

Please do not hesitate to contact us if further advice is required.

Yours faithfully

**ALDIS BIRZULIS**  
for Birzulis Associates Pty Ltd

DIRECTORS

B Fimmano B.E. (Hons), M.I.E. Aust., C.P.Eng.

M A Grogan B.E., M.Eng., M.I.E. Aust., C.P.Eng.

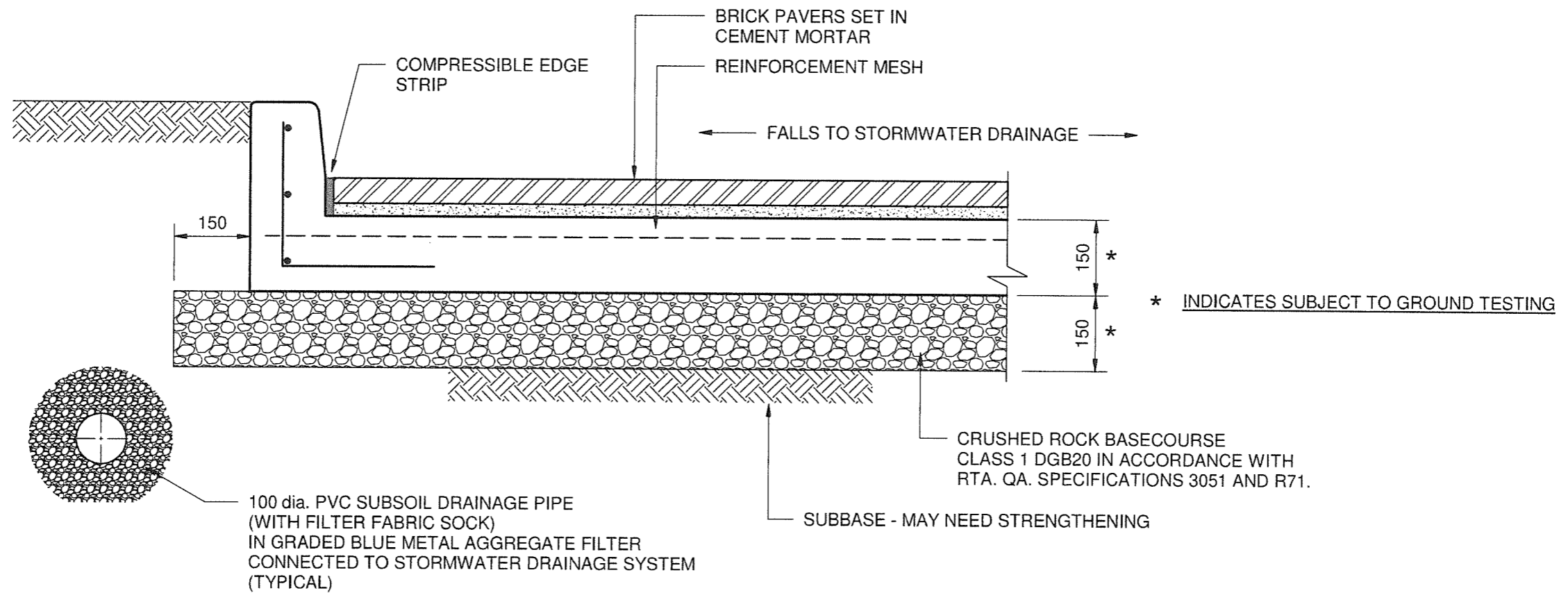
ASSOCIATE DIRECTOR

P W Grogan B.E. (Hons), M.E.(Struct), M.I.E. Aust., C.P.Eng.

CONSULTANT

A J Birzulis OAM, B.E., M.Eng. Sc., F.I.E. Aust., C.P.Eng.





**OPTION 1. - BRICK PAVEMENT ON STABLE SUBBASE.**

SCALE 1:10

ARCHITECT



**stanton dahl**  
architects



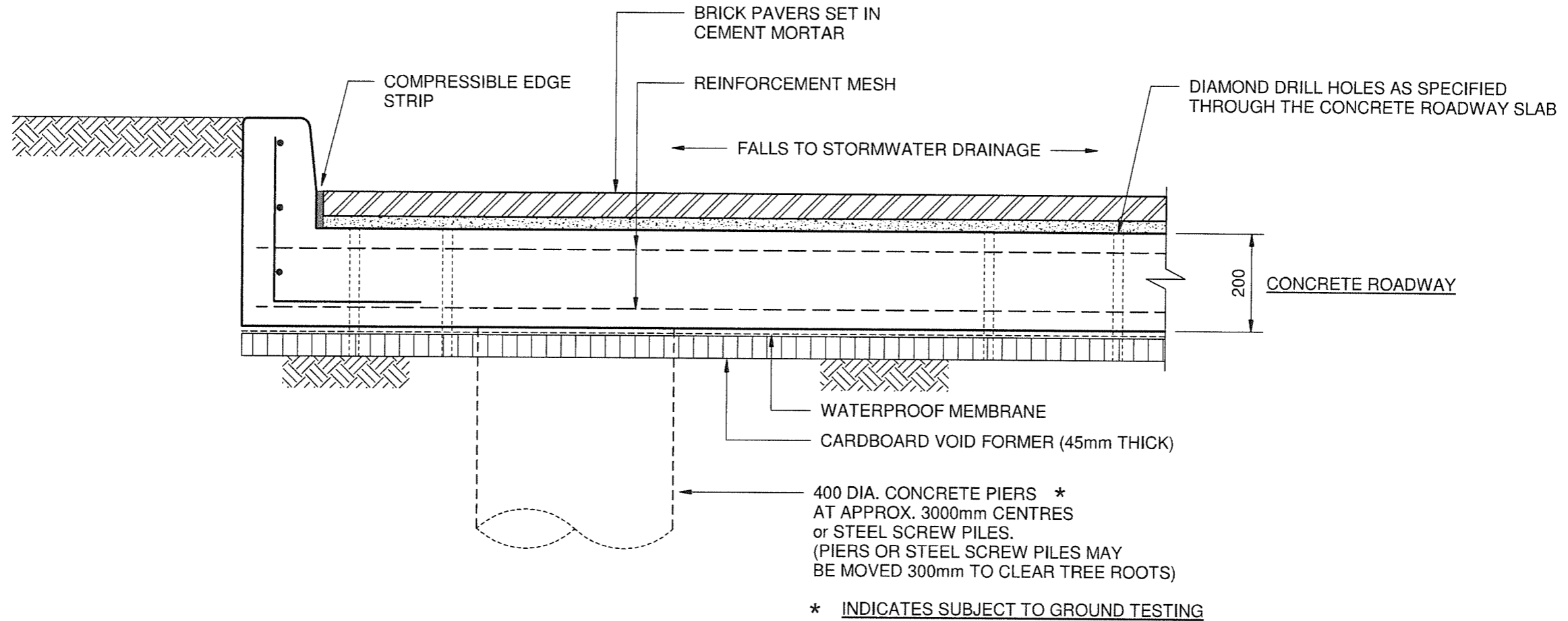
**BIRZULIS**  
ASSOCIATES

CONSULTING STRUCTURAL & CIVIL ENGINEERS  
583 DARLING STREET ROZELLE NSW 2039  
tel. (02) 9555 7290  
www.birzulisassociates.com email: office@birzulisassociates.com

PROJECT  
INTERNATIONAL CHINESE SCHOOL  
ST LEONARDS

TITLE  
PAVEMENT DETAILS SHEET 1

SCALES 1:10 @ A3		DATE 9-12-19	
DRAWN R.D.B.	DESIGN A.J.B.	VERIFIED	APPROVED
<small>This drawing is the copyright of Birzulis Associates P/L and may not be altered, reproduced or transmitted in any form or by any means in part or in whole without the written permission of Birzulis Associates Pty Ltd. All levels and dimensions are to be checked on site prior to the commencement of any work. Making of photocopies or reproduction of components for use on other drawings is prohibited.</small>			
ISSUE	PROJECT No. 7769	DRAWING No. SK.01	



**OPTION 2. - POROUS BRICK PAVEMENT.**

SCALE 1:10  
OVER ROOT ZONE

ARCHITECT



**stanton dahl**  
architects



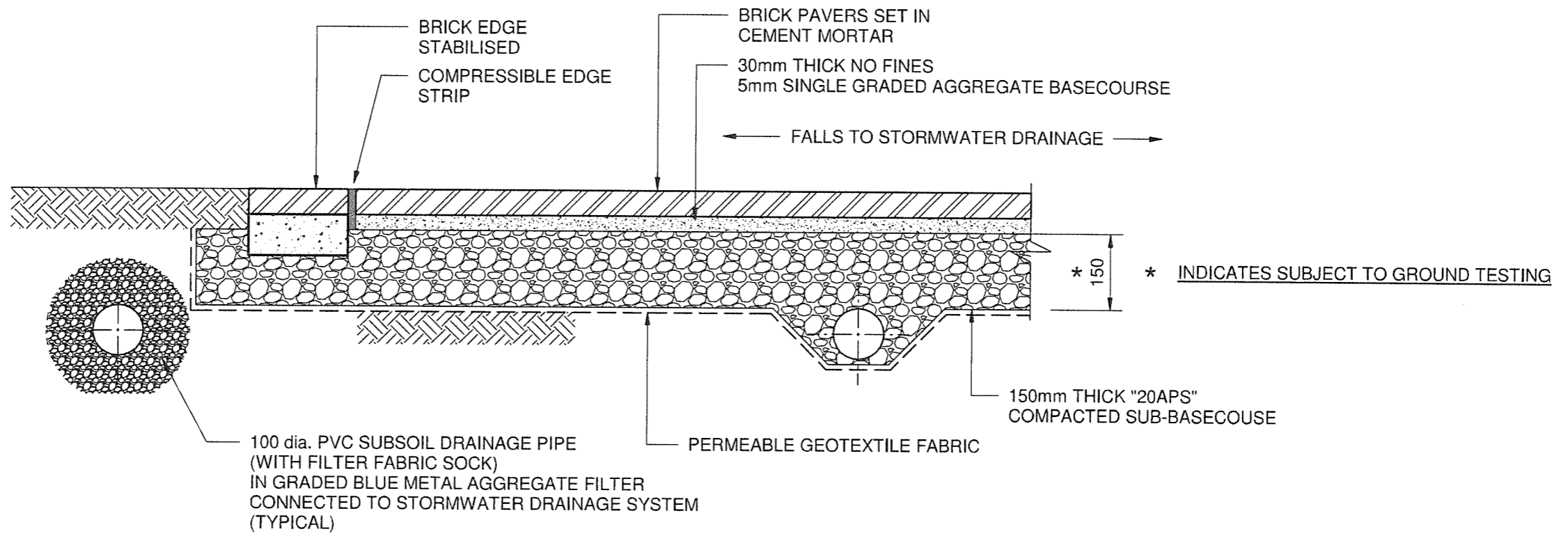
**BIRZULIS**  
ASSOCIATES

CONSULTING STRUCTURAL & CIVIL ENGINEERS  
583 DARLING STREET ROZELLE NSW 2039  
tel: (02) 9555 7230  
www.birzulisassociates.com email: office@birzulisassociates.com

PROJECT  
INTERNATIONAL CHINESE SCHOOL  
ST LEONARDS

TITLE  
PAVEMENT DETAILS SHEET 2

SCALES 1:10 @ A3		DATE 9-12-19	
DRAWN R.D.B.	DESIGN A.J.B.	VERIFIED	APPROVED
<small>This drawing is the copyright of Birzulis Associates P/L and may not be altered, reproduced or transmitted in any form or by any means in part or in whole without the written permission of Birzulis Associates Pty Ltd. All levels and dimensions are to be checked and verified on site prior to the commencement of any work. Making of shop drawings or fabrication of components. Do not scale drawings. Use liquid dimensions.</small>			
ISSUE	PROJECT No. 7769	DRAWING No. SK.02	



**OPTION 3. - BRICK PAVEMENT AT CARPARK.**

SCALE 1:10

ARCHITECT



**stanton dahl**  
architects



**BIRZULIS**  
ASSOCIATES

CONSULTING STRUCTURAL & CIVIL ENGINEERS  
583 DARLING STREET ROZELLE NSW 2059  
tel (02) 9555 7239  
www.birzulisassociates.com email: office@birzulisassociates.com

PROJECT  
INTERNATIONAL CHINESE SCHOOL  
ST LEONARDS

TITLE  
PAVEMENT DETAILS SHEET 3

SCALES 1:10 @ A3		DATE 9-12-19	
DRAWN R.D.B.	DESIGN A.J.B.	VERIFIED	APPROVED
<small>This drawing is the copyright of Birzulis Associates P/L and may not be altered, reproduced or transmitted in any form or by any means in part or in whole without the written permission of Birzulis Associates Pty Ltd. All levels and dimensions are to be checked and verified on site prior to the commencement of any work. Mistakes of above drawings or fabrication of components, the contractor is responsible.</small>			
ISSUE	PROJECT No. 7769	DRAWING No. SK.03	

12/12/2019 3:47:26 PM