

23 April 2018

Dr Oliver Holm

Executive Director, Resources Assessments and Compliance
NSW Department of Planning and Environment
320 Pitt Street
SYDNEY NSW 2000

Dear Oliver,

Application to Modify Mount Pleasant Development Consent (DA 92/97) – Modification 3 and Modification 4 – Water Discharge

As you are aware, MACH Energy Australia Pty Ltd (**MACH**) is the owner and operator of the Mount Pleasant Mine at Muswellbrook. The Mount Pleasant Mine is located adjacent to the Bengalla Mine.

The owners and operator of the Bengalla Mine have raised a concern regarding the water discharge arrangements sought to be approved under MACH's pending applications to modify the Mount Pleasant development consent (DA 92/97), being Modification 3 (**MOD 3**) and Modification 4 (**MOD 4**). There is a concern that the Department may interpret MACH's applications in a manner which, if approved, would be unfavourable to the Bengalla Mine, in that it would authorise the discharge of mine water into Bengalla Mine facilities.

To appease these concerns, MACH would like to clarify that it is not currently seeking approval under either MOD 3 or MOD 4 to discharge water from its Mine Water management system directly into the Bengalla Mine or any of its facilities. With reference to Figure 8 of the Environmental Assessment for MOD 3 (copy **attached**), which is replicated in Figure 7 of the Environmental Assessment for MOD 4, water flows from the Mount Pleasant water management system will only occur where there is an overflow due to a flood event that is in excess of the design criteria for the Mount Pleasant Mine water infrastructure.

At the appropriate time, MACH will seek approval for a licensed discharge point at the outflow from the Mount Pleasant Discharge Dam 1 (**MTP DW1**) and associated pipeline, which may involve the discharge of mine water into Bengalla lands. MTP DW1 and its associated pipeline were approved for construction under development consent for the Bengalla Continuation Project (SSD-5170), with the intention that MACH would seek any additional approvals required to facilitate its use (see, for example, section 4.9.4 of the Continuation of Bengalla Mine Environmental Impact Statement dated September 2013).

Please contact Chris Lauritzen via email (chris.lauritzen@machenergyaustralia.com.au) if you have any queries.

Yours sincerely,



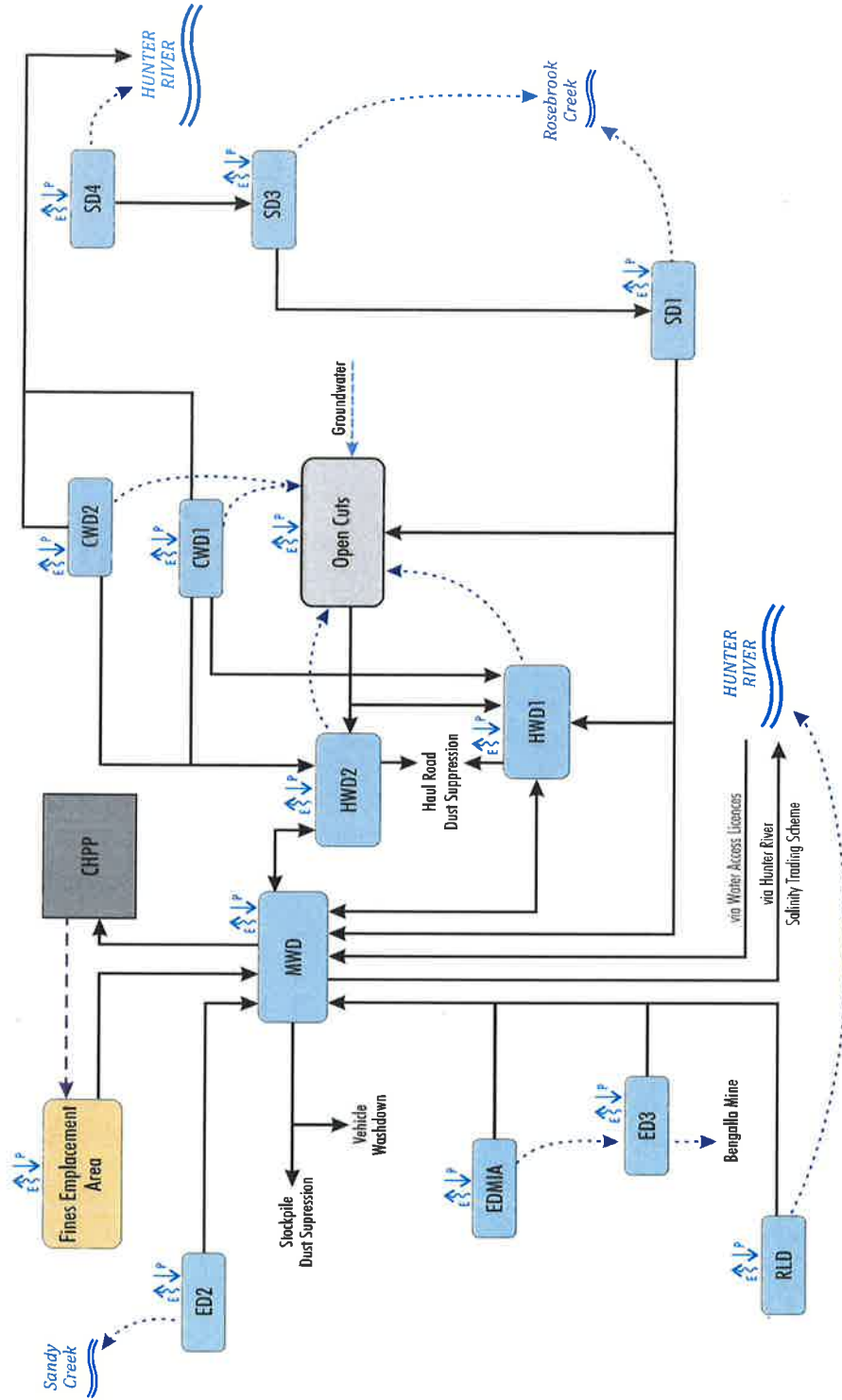
Terry (KT) Bourke
Chief Commercial Officer
& Executive Director

Attachment

Source: HEC (2017)

MACHEnergy
 MOUNT PLEASANT OPERATION
 Water Management System
 Schematic

Figure 8



Resource Strategies

- LEGEND**
- Water Storage
 - Fine Rejects Storage
 - Pumped Flow
 - Overflow Due to Rainfall in Excess of Design Criteria
 - Seepage Flow
 - Fine Reject Slurry Flow
 - Precipitation
 - Evaporation

MACH-16-01-MWD-0049